

H2500

Stainless steel
angle seat valve
long service fast response



Application

Applicable Industries:

Beer, Washing, Disinfection & High temperature killing bacteria, Rubber machinery, Textile printing and dyeing, Pharmacy and medical equipment, Foodstuff processing, Water/ sewage disposal, Filling equipment.

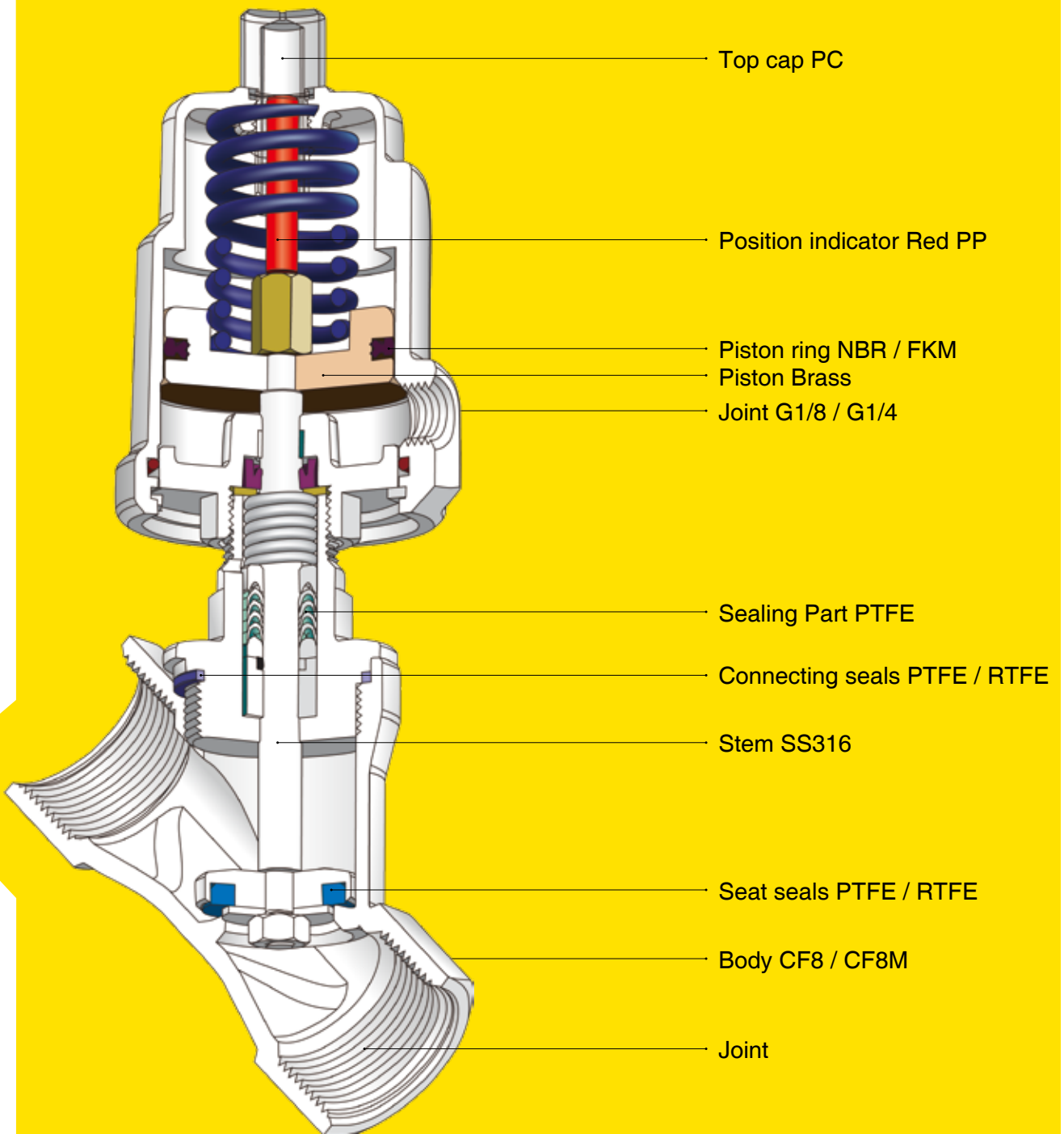
Applicable Medium:

water, liquid, neutral gas, water steam, slight corrosive gas and liquid.

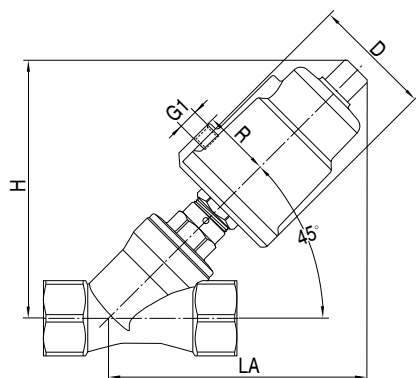
Technical Data

Joint size:	DN10-DN65
Thread:	BSP, BSPT.NPT, NPTF
Welded:	ISO1127/4200, DIN11850.1, DIN11850.2 DIN11850.3, SMS3008, ASME BPE
Valve body:	CF8/CF8M
Actuator:	CF8
Seat seals:	PTFE/RTFE
Stem seals:	PTFE/FKM
Piston seals:	FKM/NBR
Applicable medium:	Water, liquid, neutral gas, Water steam, Slight corrosive gas and liquid
Temperature range:	-10°C to +180°C
Ambient temperature:	-10°C to +60°C
Viscosity:	max 600mm ² /s
Installation:	Any position
Controlling medium:	Air or neutral gas
Controlling pressure range:	0.3-1Mpa

H2500



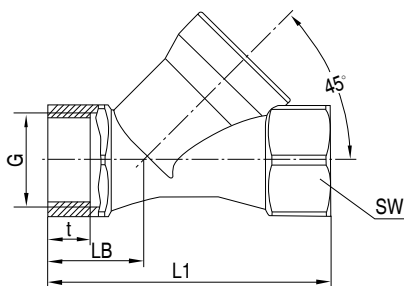
Installation Dimensions



Installation size (mm)

Size	Actuator	D	R	G1	H/LA		
					Thread	ISO1127/4200	DIN11850
DN10	40	50.5	27	G1/8	109	110	110
	50	62	34	G1/8	121	122	122
DN15	40	50.5	27	G1/8	109	109	109
	50	62	34	G1/8	121	121	121
DN20	50	62	34	G1/8	125	125	125
DN25	50	62	34	G1/8	131	131	131
	63	77	41.5	G1/8	153	153	153
DN32	63	77	41.5	G1/8	161	161	161
	80	98	52	G1/4	178	178	178
DN40	63	77	41.5	G1/8	169	169	169
	80	98	52	G1/4	185	185	185
	100	121	63	G1/4	203	203	203
DN50	63	77	41.5	G1/8	180	180	180
	80	98	52	G1/4	195	195	195
	100	121	63	G1/4	213	213	213
DN65	80	98	52	G1/4	220	220	220
	100	121	63	G1/4	237	237	237

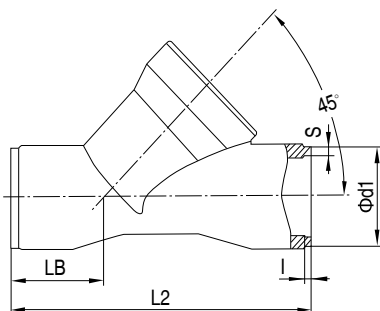
Valve Body Size



Body size-Thread (mm)

DN	L1	LB	SW		G	BSP	NPT	NPTF	BSPT
			t	t		t	t		
10	74	25.5	22	6-kt	3/8"	10	10.6	11.7	10.1
15	74	25.5	25	6-kt	1/2"	11.5	13.8	15.4	13.2
20	84	29	31	6-kt	3/4"	14	14.3	15.9	14.5
25	100	33.5	39	6-kt	1"	15	17	19	16.8
32	112	36	50	8-kt	1-1/4"	18	17.5	19.5	19.1
40	126	41	56	8-kt	1-1/2"	18	17.5	19.5	19.1
50	146	46	68	8-kt	2"	22	18	19.9	23.4
65	196	61	85	8-kt	2-1/2"	25	24	30	26.7

Body size-Welded (mm)

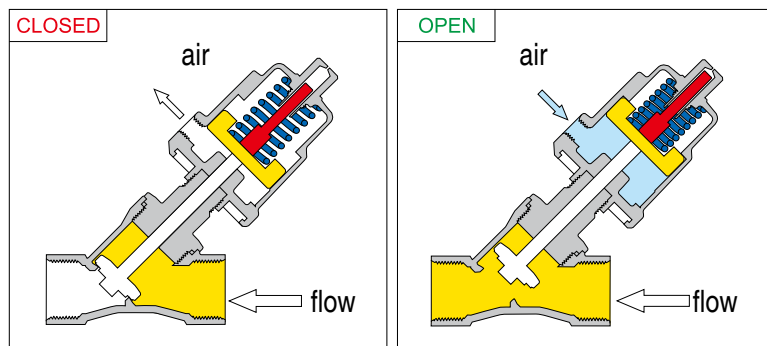
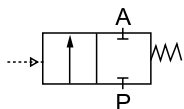


DN	L2	LB	ISO1127/4200			DIN11850.1			DIN11850.2			DIN11850.3		
			l	φd1	S	l	φd1	S	l	φd1	S	l	φd1	S
10	70	22	2	17.2	1.6	2	12	1	2	13	1.5	2	14	2
15	88	30	2	21.3	1.6	2	18	1	2	19	1.5	2	20	2
20	92	30	2.5	26.9	1.6	2.5	22	1	2.5	23	1.5	2.5	24	2
25	110	35	3	33.7	2	3	28	1	3	29	1.5	3	30	2
32	126	39	3	42.4	2	3	34	1	3	35	1.5	3	36	2
40	144	46	3	48.3	2	3	40	1	3	41	1.5	3	42	2
50	166	48	3	60.3	2	3	52	1	3	53	1.5	3	54	2
65	208	60	3	76.1	2	-	-	-	3	70	2	-	-	-

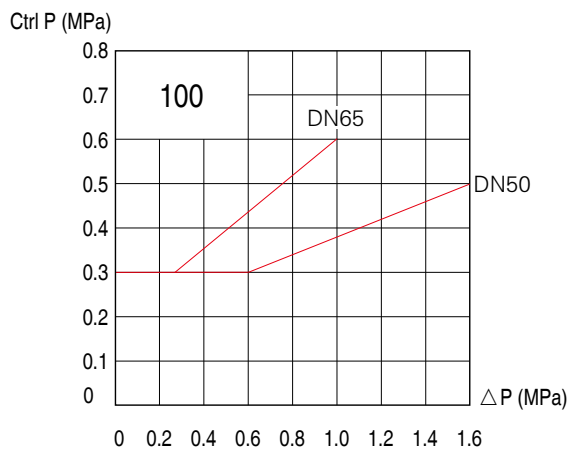
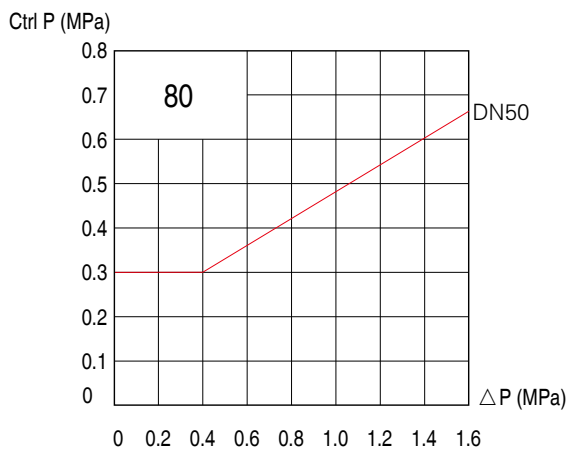
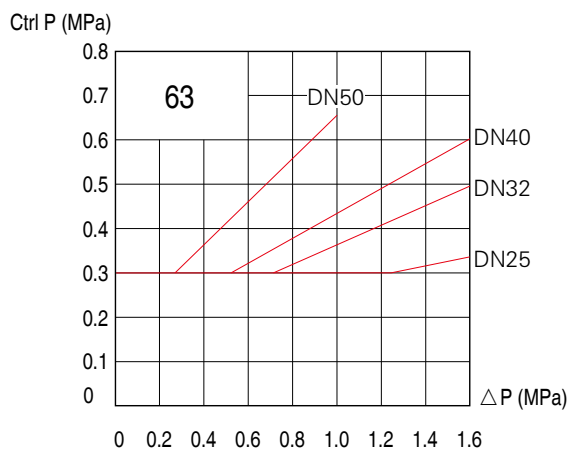
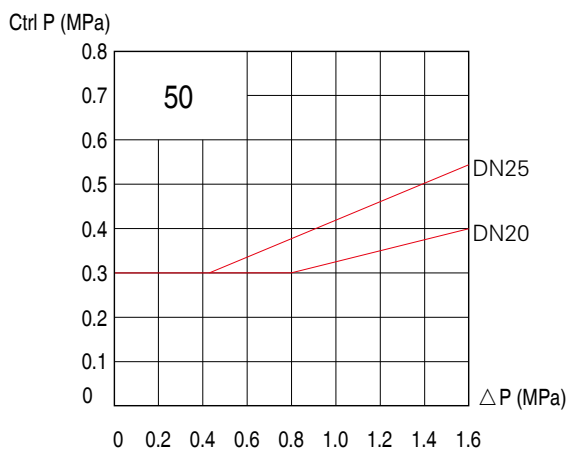
DN	L2	LB	SMS 3008			ASME BPE			The technical data is the same with below sizes of any other welded standard
			l	φd1	s	l	φd1	s	
15	70	22	2.5	12	1	2.5	12.7	1.65	DN10
20	88	30	2	18	1	2	19.05	1.65	DN15
25	92	30	2.5	25	1.2	2.5	25.4	1.65	DN20
40	126	39	3	38	1.2	3	38.1	1.65	DN32
50	144	46	3	51	1.2	3	50.8	1.65	DN40
65	166	48	3	63.5	1.6	3	63.5	1.65	DN50
80	208	60	3	76.1	1.6	3	76.2	1.65	DN65

H2500 Spring return normal close (Normal type)

Normal close with flow direction

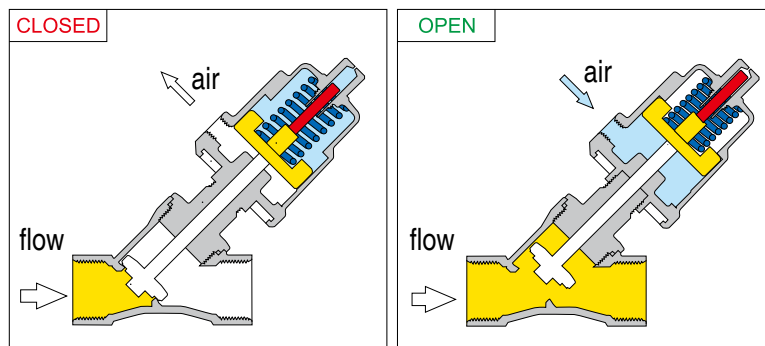
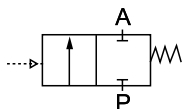


Size	End	Orifice (mm)	Actuator (mm)	Kv (m ³ /h)	Max working pressure at 180°C (Mpa)	Pressure range (Mpa)	Min control pressure (Mpa)
DN10	3/8"	13	40	4.7	1.6	0-1.6	≥ 0.4
			50	4.7		0-1.6	≥ 0.3
DN15	1/2"	13	40	4.7		0-1.6	≥ 0.4
			50	4.7		0-1.6	≥ 0.3
DN20	3/4"	18	50	9.5		0-1.6	0.3-0.4
DN25	1"	24	50	18.1		0-1.6	0.3-0.55
			63	18.1		0-1.6	0.3-0.35
DN32	1-1/4"	31	63	23.1		0-1.6	0.3-0.5
DN40	1-1/2"	35	63	32.9		0-1.6	0.3-0.6
			63	52.8		0-1.0	0.3-0.65
			80	52.8	0-1.6	0.3-0.66	
DN50	2"	45	100	52.8	0-1.6	0.3-0.5	
			100	82	0-1.0	0.3-0.6	
DN65	2-1/2"	65	100	82	0-1.0	0.3-0.6	



H2500 Spring return normal close (Anti-water hammer)

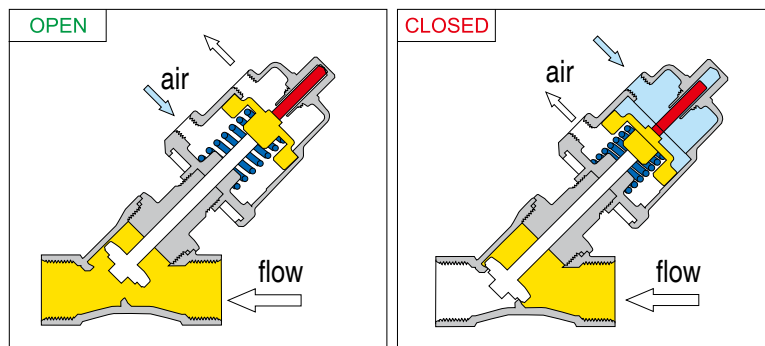
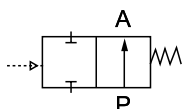
Normal close against flow direction



Size	End	Orifice (mm)	Actuator (mm)	Kv (m ³ /h)	Max working pressure at 180°C (Mpa)	Pressure range (Mpa)	Min control pressure (Mpa)
DN10	3/8"	13	50	4.7	1.6	0-1.6	0.45
DN15	1/2"	13	50	4.7		0-1.6	0.45
DN20	3/4"	18	50	9.5		0-1.0	0.45
DN25	1"	24	63	18.1		0-0.8	0.45
DN32	1-1/4"	31	80	23.1		0-1.1	0.4
						0-0.8	0.4
DN40	1-1/2"	35	80	32.9		0-0.8	0.4
			100	32.9		0-1.6	0.4
DN50	2"	45	100	52.8	0-0.9	0.4	

H2500 Normal open

Normal open with flow direction



Size	End	Orifice (mm)	Actuator (mm)	Kv (m ³ /h)	Max working pressure at 180°C (Mpa)	Pressure range (Mpa)	Min control pressure (Mpa)
DN10	3/8"	13	50	4.7	1.6	0-1.6	0.35
DN15	1/2"	13	50	4.7		0-1.6	0.35
DN20	3/4"	18	50	9.5		0-1.6	0.35
DN25	1"	24	63	18.1		0-1.6	0.45
DN32	1-1/4"	31	63	23.1		0-1.4	0.45
DN40	1-1/2"	35	63	32.9		0-1.1	0.45
						0-0.6	0.5
DN50	2"	45	63	52.8		0-1.2	0.5
			80	52.8			