

JAL Series

1000~5000 Lubricator



The way to automation



- FRL
- AC, BC
- AFC, BFC
- AF, BF
- AR, BR
- AFR, BFR
- AL, BL
- JAC
- JAF
- JAR
- JAW
- JAL**
- PTH
- JAD



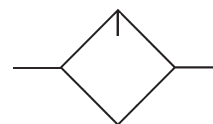
JAL2000

JAL4000

Ordering Code

JA	L	4000	04	N
Series	Function	Specification	Port size	Wiring Form
JAL2000-02 	Lubricator	1000	M5: M5 x 0.8	Blank: Standard
JAL3000-03 		2000	01: G1/8"	N: Metal cup
		3000	02: G1/4"	
		4000	03: G3/8"	
		5000	04: G1/2"	
		06: G3/4"		
		10: G1"		

Symbol



Specification

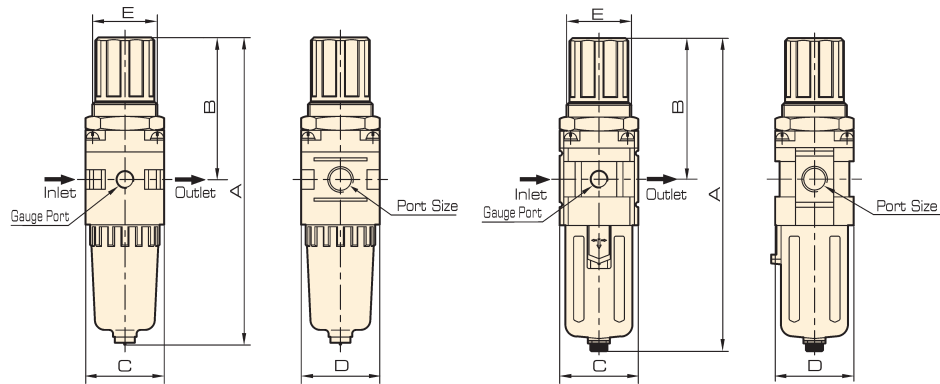
Model	JAL1000-M5	JAL2000-01	JAL2000-02	JAL3000-02	JAL3000-03	JAL4000-03	JAL4000-04	JAL4000-06	JAL5000-06	JAL5000-10
Rated Flow	95	800	800	1700	1700	5000	5000	6300	7000	7000
Port Size	M5	1/8	1/4	1/4	3/8	3/8	1/2	3/4	3/4	1
Max. Adjustable Pressure						1.0 MPa				
Ensured Pressure Resistance						1.5 MPa				
Operating Temperature Range						5 ~ 60 °C				
Suggested Lubricating oil	0.05 ~ 0.7 MPa		ISO VG 32							
Container Material						Poly Carbonate				
Container Cup	Not Available				Iron					

JAW Series

1000~5000 Filter & Regulator

Overall Dimension

JAW



Dimension

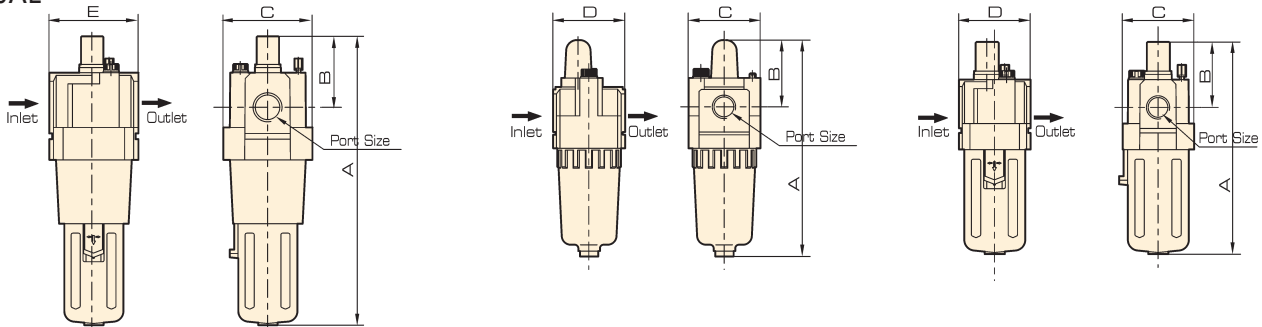
Model	Bore	A	B	C	D	E
JAW1000	M5	109.5	50.5	25	28	28
JAW2000	1/8 - 1/4	164.5	78	40	40	34
JAW3000	1/4 - 3/8	211	92.5	53	53	40
JAW4000	3/8 - 1/2	262	112	70	70	54
JAW4000-06	3/4	267	114	70	70	54
JAW5000	3/4 - 1	338	116	90	90	54

JAL Series

1000~5000 Lubricator

Overall Dimension

JAL



Dimension

Model	Bore	A	B	C	D
JAL1000	M5	81.5	25.5	25	-
JAL2000	1/8 - 1/4	122	38	40	40
JAL3000	1/4 - 3/8	142	38	53	53
JAL4000	3/8 - 1/2	177	41	70	70
JAL4000-06	3/4	177	39	70	70
JAL5000	3/4 - 1	254	45	90	90

FRL

AC, BC

AFC, BFC

AF, BF

AR, BR

AFR, BFR

AL, BL

JAC

JAF

JAR

JAW

JAL

PTH

JAD