

JEL Series Solenoid Valve



The way to automation

- Valve
- 4V100
- 4V200
- 4V300
- 4V400
- Manifold
- 3V1
- JEL**
- JZF
- MVSD
- VF, VZ
- BM, PU, AM
- Diaphragm
- Coil
- 2V
- 2W
- 2W(Big)
- 2P
- 2L
- VX
- PU
- PU225
- 2Q
- JEL5404
- JEL6213
- Pulse
- JELJZF
- 4H
- TSV
- MPV
- 4HV
- HV, K
- 4R
- 4F
- MSV
- JM
- ASC, RE
- QE, QEA
- ST
- HSV



Ordering Code

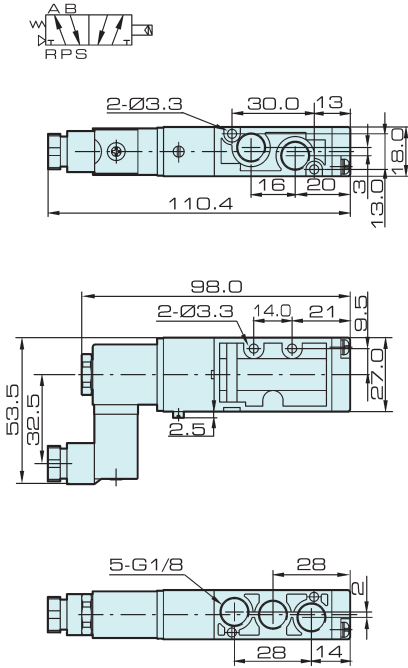
JEL	V	52	2	S	AC220V	W	F
JELPC	Type	Position and Way	Port Size	Coil and Places	Standard Voltage	Wiring	Joint
	V: Solenoid valve A: Pneumatic valve	52: 5/2 Way 53: 5/3 Way 32: 3/2 Way 22: 3/2 Way	1: G 1/8" 2: G 1/4" 3: G 3/8" 4: G 1/2"	S: Single coil D: Double coil C: Mid-position closed E: Mid-position vented P: Mid-position open	DC12V DC24V AC24V 50Hz/60Hz AC110V 50Hz/60Hz AC220V 50Hz/60Hz AC380V 50Hz/60Hz	Blank: Without light indicator LD: Brown with light indicator LD1: White with light indicator W: Lead wire	1 F-20 F

Specification

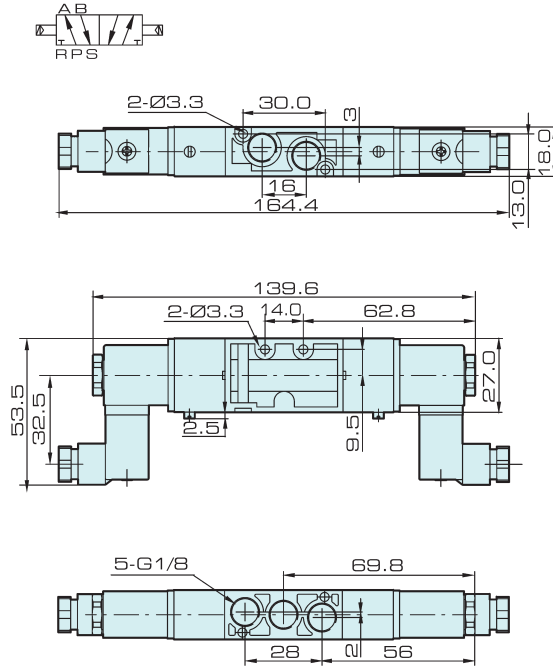
Model	JELV521S	JELV521D	JELV531C (E/P)	JELV522S	JELV522D	JELV532C (E/P)	JELV523S	JELV523D	JELV533C (E/P)	JELV524S	JELV524D	JELV534C (E/P)
	JELA521S	JELA521D	JELA531C (E/P)	JELA522S	JELA522D	JELA532C (E/P)	JELA523S	JELA523D	JELA533C (E/P)	JELA524S	JELA524D	JELA534C (E/P)
Valve Type	5/2 Way		5/3 Way	5/2 Way		5/3 Way	5/2 Way		5/3 Way	5/2 Way		5/3 Way
Effective Cross Section Area	12 mm ² (CV = 0.67)		9 mm ² (CV=0.5)	14 mm ² (CV = 0.78)		12 mm ² (CV=0.69)	25 mm ² (CV = 1.40)		18 mm ² (CV=1.00)	50 mm ² (CV = 2.79)		30 mm ² (CV=1.68)
Working Medium	40 Micron Filtered Air											
Operation	Internal piloted											
Working-pressure	0.15 ~ 0.8 MPa											
Max. Test Pressure	1.2 MPa											
Max. Ambient Temperature	5 ~ 50 °C											
Operating Voltage Tolerance	± 10%											
Power Consumption	AC: 5.5 VA DC: 4.8 W											
Connector Protection	F Class, IP 65											
Wiring / Connector	Cable / Lead Wire or DIN Connector											
Switching Frequency	5 Cycles / Sec.											
Response Time	0.05 Sec.											

Overall Dimension

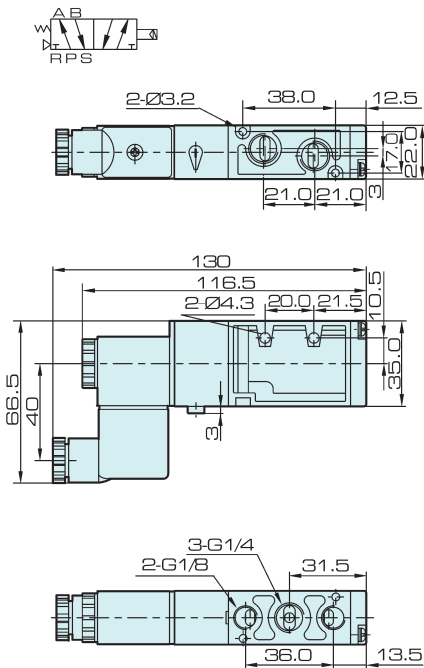
JEL521S



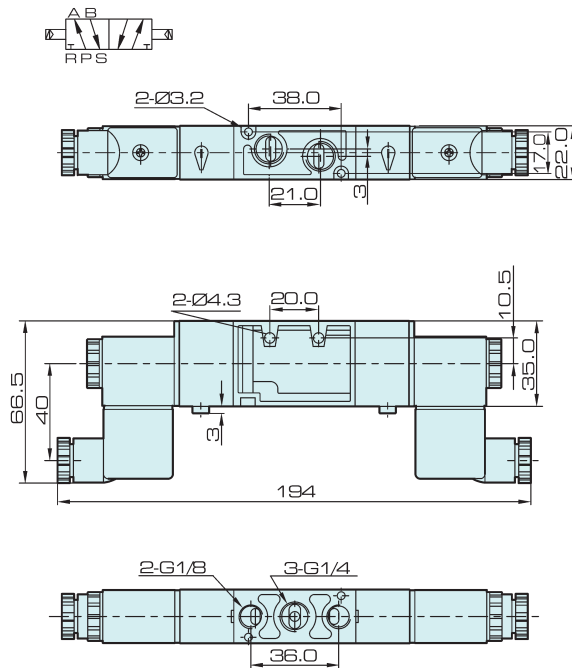
JEL521D



JEL522S



JEL522D



Valve

4V100

4V200

4V300

4V400

Manifold

3V1

JEL

JZF

MVSD

VF, VZ

BM, PU, AM

Diaphragm

Coil

2V

2W

2W(Big)

2P

2L

VX

PU

PU225

2Q

JEL5404

JEL6213

Pulse

JEL, JZF

4H

TSV86

MPV

4HV

HV, K

4R

4F

MSV

JM

ASC, RE

QE, QEA

ST

HSV

JEL Series Solenoid Valve

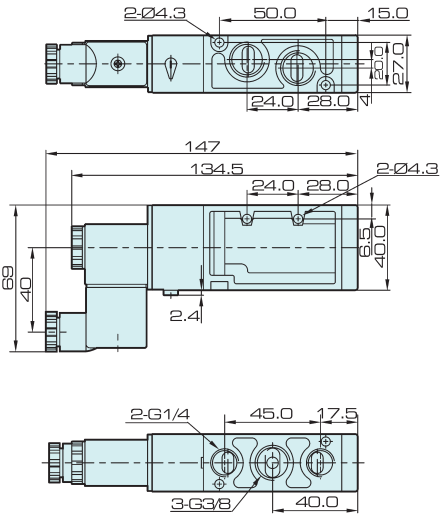


The way to automation

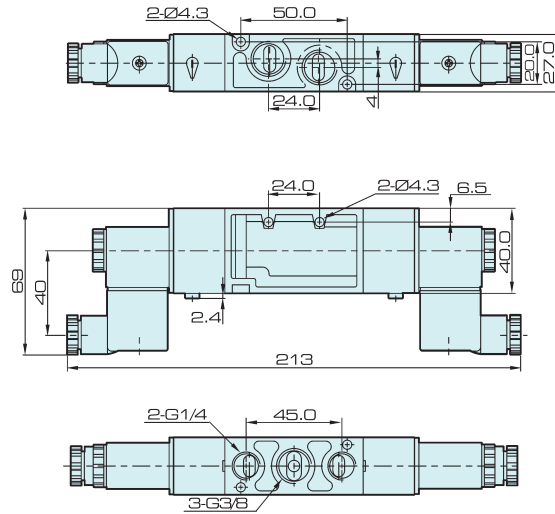
Overall Dimension

- Valve
- 4V100
- 4V200
- 4V300
- 4V400
- Manifold
- 3V1
- JEL
- JZF
- MVSD
- VF, VZ
- BM, PU, AM
- Diaphragm
- Coil
- 2V
- 2W
- 2W(Big)
- 2P
- 2L
- VX
- PU
- PU225
- 2Q
- JEL5404
- JEL6213
- Pulse
- JELJZF
- 4H
- TSV
- MPV
- 4HV
- HV, K
- 4R
- 4F
- MSV
- JM
- ASC, RE
- QE, QEA
- ST
- HSV

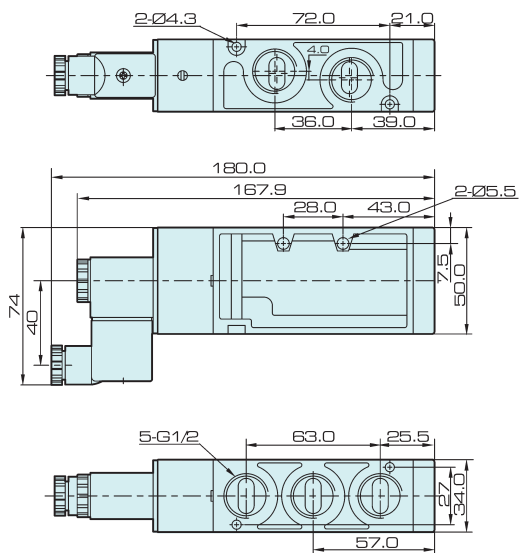
JEL523S



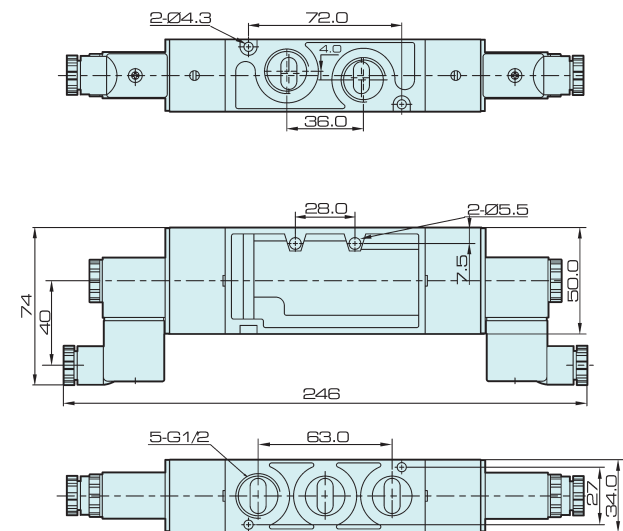
JEL523D



JEL524S

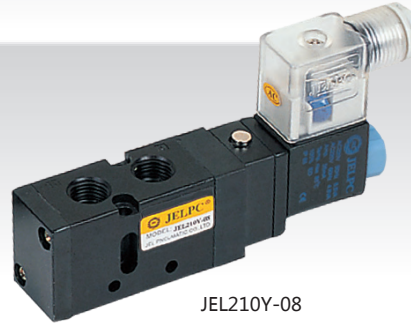


JEL524D





JEL210Y-08



JEL210Y-08

Ordering Code

JEL	2	10	Y	08	AC220V	W	F
JELPC	Series Code 200 Series	Coil and Position 10: Single coil Double position 20: Double coil double position	Sealing Type Y: Hard type sealing	Port Size 06: 1/8" 08: 1/4"	Standard Voltage DC12V DC24V AC24V 50Hz/60Hz AC110V 50Hz/60Hz AC220V 50Hz/60Hz AC380V 50Hz/60Hz	Wiring Form Blank: Without Light Indicator LD: Brown with light indicator LD1: White with light indicator W: Lead wire	Joint 1 F-20 F

Specification

Model	JEL210Y-06	JEL220Y-06	JEL210Y-08	JEL220Y-08
Valve Type	5/2 way		5/2 way	
Effective Cross Section Area	14 mm ² (CV=0.78)		16 mm ² (CV=0.89)	
Port Size	Inlet, Outlet, Exhaust Port = G 1/8"		Inlet, Outlet = G 1/4" Exhaust Port = G 1/8"	
Working Medium	40 Micron Filtered Air			
Operation	Internal Piloted			
Working-pressure	0.15 ~ 0.8 MPa			
Max. Test Pressure	1.2 MPa			
Ambient Temperature	5 ~ 50 °C			
Operating Voltage Tolerance	± 10%			
Power Consumption	AC: 5.5 VA DC: 4.8 W			
Connector Protection	F Class . IP 65			
Wiring / Connector	Cable / Lead Wire or DIN Connector			
Switching Frequency	5 Cycles / Sec.			
Response Time	0.05 Sec.			

*Outside dimension please consult 4V210, VF3130.

Valve

- 4V100
- 4V200
- 4V300
- 4V400
- Manifold
- 3V1
- JEL**
- JZF
- MVSD
- VF, VZ
- BM, PU, AM
- Diaphragm
- Coil
- 2V
- 2W
- 2W(Big)
- 2P
- 2L
- VX
- PU
- PU225
- 2Q
- JEL5404
- JEL6213
- Pulse
- JEL, JZF
- 4H
- TSV86
- MPV
- 4HV
- HV, K
- 4R
- 4F
- MSV
- JM
- ASC, RE
- QE, QEA
- ST
- HSV