

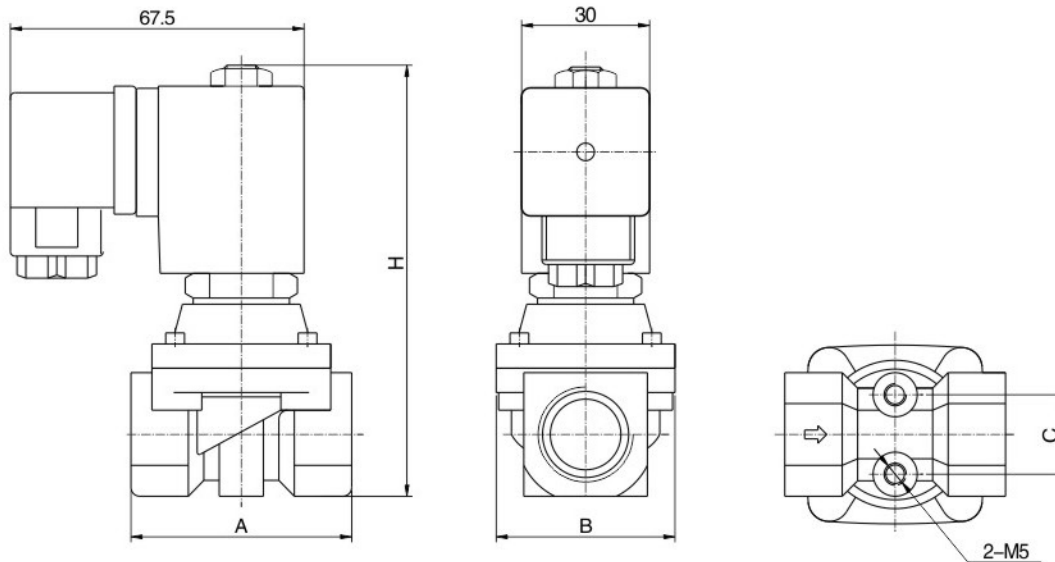


ZS 2/2-way direct acting solenoid valve • normally closed

- 1: 2/2 way normally closed , closed when de-energized, open when energized
- 2: Max pressure tolerance: 25 kgf/cm²
- 3: Working pressure : 0 ~20 kgf/cm²
- 4: Ambient temp : 0~65 °C
- 5: Flow as the arrow ,mounts in any position ; best position is solenoid vertical and upright direction
- 6: 1/4"~1" connection size ,orifice Φ10mm~Φ20mm, can be widely used in the corresponding flow and pressure system , replace the same connection size but big orifice valve , can save a lot of cost
- 7: Voltage : AC220V/230V/240V/110V/24V 50/60HZ DC24V/12V
- 8: Seals : Can choose NBR、EPDM、VITON to fit the on/off control of different media;
- 9: Body: Brass
- 10: Coil can fix SM Coil. AC 220V/AC110V/AC24V/DC24V



External Dimensions Chart



Orifice(mm)	Pipe size G	A	B	C	H
Φ 10	1/4"	50	40.5	18	98
	3/8"	50	40.5	18	98
	1/2"	50	40.5	18	98
Φ 13	3/8"	55	43	18	98
	1/2"	55	43	18	98
Φ 16	1/2"	60	49	25	105
	3/4"	60	49	25	105
Φ 20	3/4"	72	60	28	113
	1"	72	60	28	113

Sanlixin Solenoid Valve

ZS 2/2-way direct acting solenoid valve • normally closed

Valve Selection List

Pipe Conn- ection	Orifice mm	CV Factor	Operating pressure differential (kgf/cm ²)							Max. Temp. °C	Coil Type	Power consumption		Coil Class	Model Code Follows Voltage are 220VAC50/60HZ	Weight (KG)
			Max.									VA	W			
			Min.	Air Gas		Water Hot water Liquid		Light oil				AC 220V	DC 24V			
				AC	DC	AC	DC	AC	DC							
1/4"	10	1.9	0	20	16	20	16	20	16	80	D	22	13	F	ZS1DF02N9B10	0.55
	10	1.9	0	20	16	20	16			120	D	22	13	F	ZS1DF02E9B10	0.55
	10	1.9	0	20	16	20	16	20	16	120	D	22	13	F	ZS1DF02V9B10	0.55
3/8"	10	2.4	0	20	16	20	16	20	16	80	D	22	13	F	ZS1DF02N9C10	0.54
	10	2.4	0	20	16	20	16			120	D	22	13	F	ZS1DF02E9C10	0.54
	10	2.4	0	20	16	20	16	20	16	120	D	22	13	F	ZS1DF02V9C10	0.54
	13	3.1	0	16	12	16	12	16	12	80	D	22	13	F	ZS1DF02N9C13	0.56
	13	3.1	0	16	12	16	12			120	D	22	13	F	ZS1DF02E9C13	0.56
	13	3.1	0	16	12	16	12	16	12	120	D	22	13	F	ZS1DF02V9C13	0.56
1/2"	10	2.4	0	20	16	20	16	20	16	80	D	22	13	F	ZS1DF02N9D10	0.53
	10	2.4	0	20	16	20	16			120	D	22	13	F	ZS1DF02E9D10	0.53
	10	2.4	0	20	16	20	16	20	16	120	D	22	13	F	ZS1DF02V9D10	0.53
	13	3.1	0	16	12	16	12	16	12	80	D	22	13	F	ZS1DF02N9D13	0.55
	13	3.1	0	16	12	16	12			120	D	22	13	F	ZS1DF02E9D13	0.55
	13	3.1	0	16	12	16	12	16	12	120	D	22	13	F	ZS1DF02V9D13	0.55
	16	4.0	0	12	10	12	10	12	10	80	D	22	13	F	ZS1DF02N9D15	0.81
	16	4.0	0	12	10	12	10			120	D	22	13	F	ZS1DF02E9D15	0.81
	16	4.0	0	12	10	12	10	12	10	120	D	22	13	F	ZS1DF02V9D15	0.81
3/4"	16	4.0	0	12	10	12	10	12	10	80	D	22	13	F	ZS1DF02N9E15	0.8
	16	4.0	0	12	10	12	10			120	D	22	13	F	ZS1DF02E9E15	0.8
	16	4.0	0	12	10	12	10	12	10	120	D	22	13	F	ZS1DF02V9E15	0.8
	20	5.6	0	10	10	10	10	10	10	80	D	22	13	F	ZS1DF02N9E19	1.1
	20	5.6	0	10	10	10	10			120	D	22	13	F	ZS1DF02E9E19	1.1
	20	5.6	0	10	10	10	10	10	10	120	D	22	13	F	ZS1DF02V9E19	1.1
1"	20	5.6	0	10	10	10	10	10	10	80	D	22	13	F	ZS1DF02N9G19	1.0
	20	5.6	0	10	10	10	10			120	D	22	13	F	ZS1DF02E9G19	1.0
	20	5.6	0	10	10	10	10	10	10	120	D	22	13	F	ZS1DF02V9G19	1.0

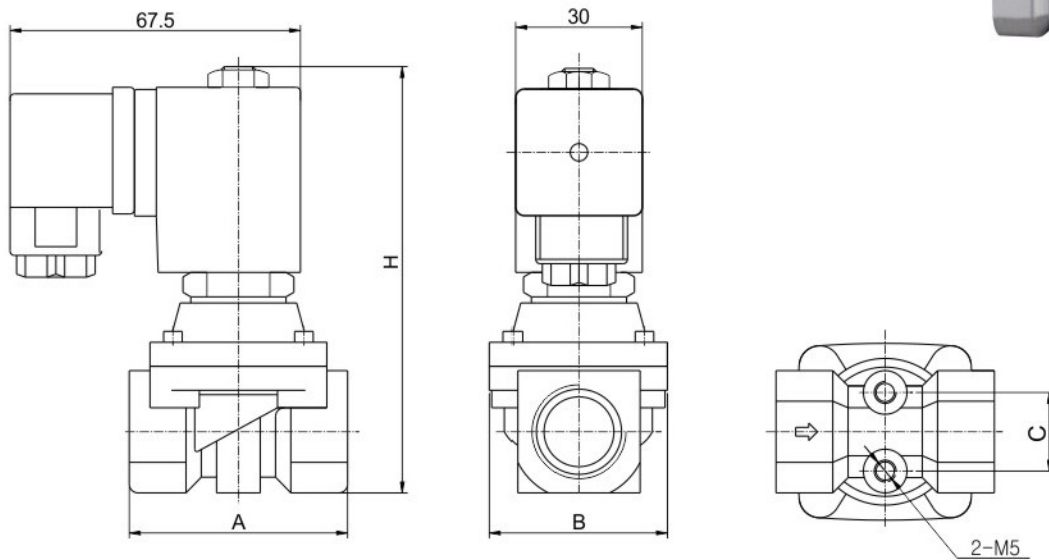


ZS 2/2-way direct acting solenoid valve · normally closed

1. 2/2 way Normally Closed, closed when de-energized, open when energized.
2. Max Pressure Tolerance: 25kgf/cm²
3. Working Pressure: 0~20kgf/cm²
4. Ambient Temp.: 0~65℃
5. Flow as the arrow, mounts in any position; best position is solenoid vertical and upright direction.
6. 1/4"~1" connection size, orifice Φ 10mm~ Φ 20mm, can be widely used in the corresponding flow and pressure system, replace the same connection size but big orifice valve, can save a lot of cost.
7. Voltage: AC220V/230V/240V/110V/24V 50/60HZ DC24V/12V
8. Seals: can choose NBR, EPDM, VITON to fit the on/off control of different media.
9. Body: SS304
10. Coil can fix SM Coil. AC 220V/AC110V/AC24V/DC24V



External Dimensions:



Orifice (mm)	Pipe size G	A	B	C	H
Φ 10	1/4"	50	40.5	18	98
	3/8"	50	40.5	18	98
	1/2"	50	40.5	18	98
Φ 13	3/8"	55	43	18	98
	1/2"	55	43	18	98
Φ 16	1/2"	60	49	25	105
	3/4"	60	49	25	105
Φ 20	3/4"	72	60	28	113
	1"	72	60	28	113

Sanlixin Solenoid Valve

ZS 2/2-way direct acting solenoid valve • normally closed

Valve Selection List

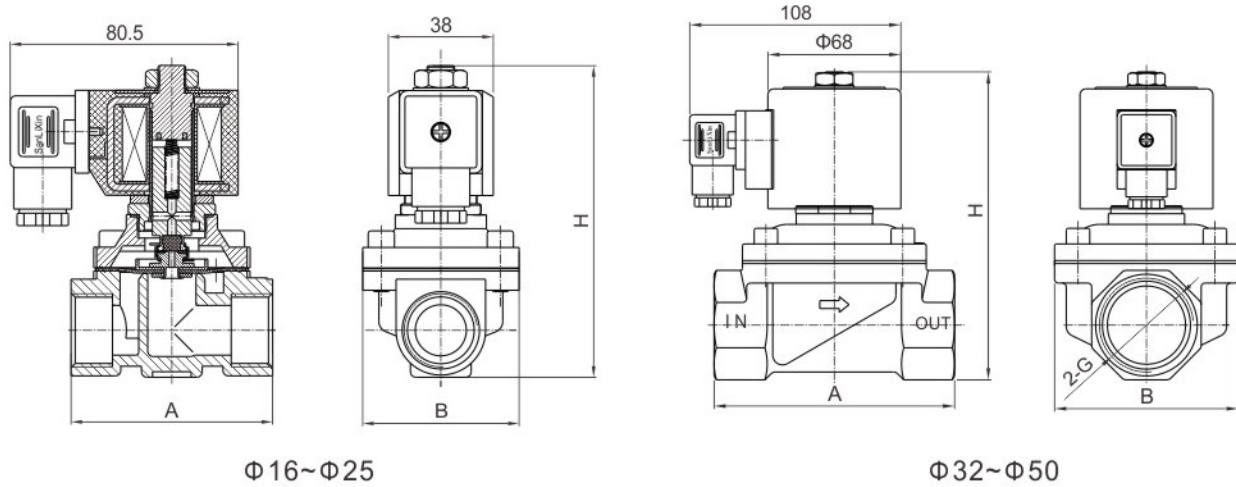
Pipe Conn- ection	Orifice mm	CV Factor	Operating pressure differential (kgf/cm ²)							Max. Temp. °C	Coil Type	Power consumption		Coil Class	Model Code Follows Voltage are 220VAC50/60HZ	Weight (KG)
			Max.									VA	W			
			Min.	Air Gas		Water Hot water Liquid		Light oil				AC 220V	DC 24V			
				AC	DC	AC	DC	AC	DC							
1/4 "	10	1.9	0	20	16	20	16	20	16	80	D	22	13	F	ZS1DF02N4B10	0.55
	10	1.9	0	20	16	20	16			120	D	22	13	F	ZS1DF02E4B10	0.55
	10	1.9	0	20	16	20	16	20	16	120	D	22	13	F	ZS1DF02V4B10	0.55
3/8 "	10	2.4	0	20	16	20	16	20	16	80	D	22	13	F	ZS1DF02N4C10	0.54
	10	2.4	0	20	16	20	16			120	D	22	13	F	ZS1DF02E4C10	0.54
	10	2.4	0	20	16	20	16	20	16	120	D	22	13	F	ZS1DF02V4C10	0.54
	13	3.1	0	16	12	16	12	16	12	80	D	22	13	F	ZS1DF02N4C13	0.56
	13	3.1	0	16	12	16	12			120	D	22	13	F	ZS1DF02E4C13	0.56
	13	3.1	0	16	12	16	12	16	12	120	D	22	13	F	ZS1DF02V4C13	0.56
1/2 "	10	2.4	0	20	16	20	16	20	16	80	D	22	13	F	ZS1DF02N4D10	0.53
	10	2.4	0	20	16	20	16			120	D	22	13	F	ZS1DF02E4D10	0.53
	10	2.4	0	20	16	20	16	20	16	120	D	22	13	F	ZS1DF02V4D10	0.53
	13	3.1	0	16	12	16	12	16	12	80	D	22	13	F	ZS1DF02N4D13	0.55
	13	3.1	0	16	12	16	12			120	D	22	13	F	ZS1DF02E4D13	0.55
	13	3.1	0	16	12	16	12	16	12	120	D	22	13	F	ZS1DF02V4D13	0.55
	16	4.0	0	12	10	12	10	12	10	80	D	22	13	F	ZS1DF02N4D15	0.76
	16	4.0	0	12	10	12	10			120	D	22	13	F	ZS1DF02E4D15	0.76
	16	4.0	0	12	10	12	10	12	10	120	D	22	13	F	ZS1DF02V4D15	0.76
3/4 "	16	4.0	0	12	10	12	10	12	10	80	D	22	13	F	ZS1DF02N4E15	0.74
	16	4.0	0	12	10	12	10			120	D	22	13	F	ZS1DF02E4E15	0.74
	16	4.0	0	12	10	12	10	12	10	120	D	22	13	F	ZS1DF02V4E15	0.74
	20	5.6	0	10	10	10	10	10	10	80	D	22	13	F	ZS1DF02N4E19	1.0
	20	5.6	0	10	10	10	10			120	D	22	13	F	ZS1DF02E4E19	1.0
	20	5.6	0	10	10	10	10	10	10	120	D	22	13	F	ZS1DF02V4E19	1.0
1 "	20	5.6	0	10	10	10	10	10	10	80	D	22	13	F	ZS1DF02N4G19	0.9
	20	5.6	0	10	10	10	10			120	D	22	13	F	ZS1DF02E4G19	0.9
	20	5.6	0	10	10	10	10	10	10	120	D	22	13	F	ZS1DF02V4G19	0.9

ZS 2/2-way large diameter direct acting solenoid valve · normally closed

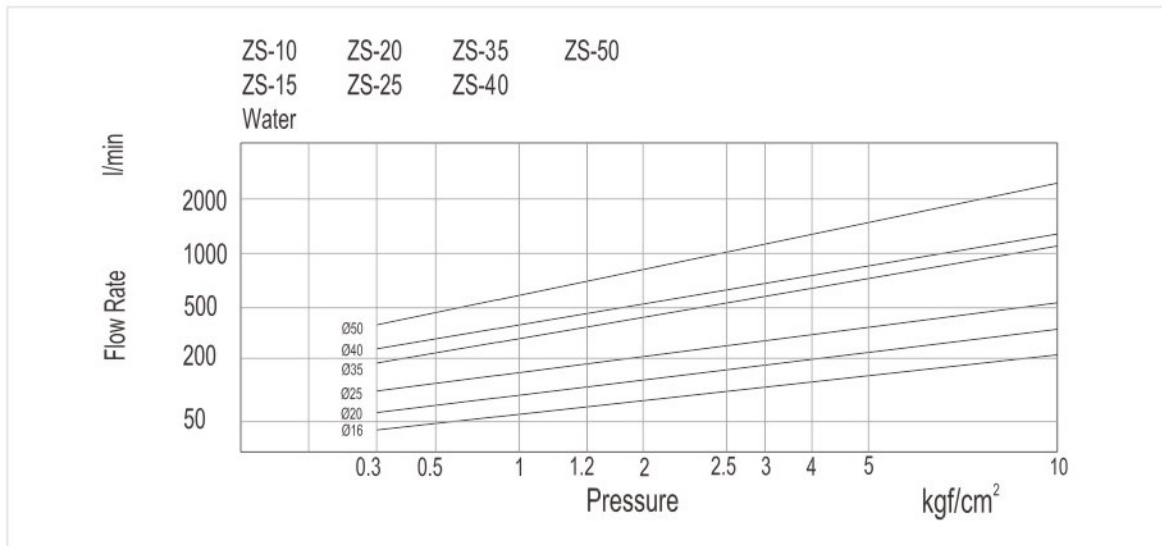
- 1: 2-Way normally closed solenoid valve, Closed when de-energized, open when energized.
- 2: Serialized products, small in size, large flow rate, widely use
- 3: Body material: forged brass, cast brass (for orifice $\Phi 32$ 、40、50 only)
- 4: Ambient Temp. $0^{\circ}\text{C}\sim 65^{\circ}\text{C}$, Fluids Temp: $0^{\circ}\text{C}\sim 120^{\circ}\text{C}$.
- 5: Flow as the arrow, mounts in any position; Best position is Solenoid vertical and upright direction.
- 6: Voltage: 220VAC/230VAC/240VAC/110VAC/24VAC 50/60HZ 24VDC/12VDC; Voltage Tolerance: +10% to -10% applicable voltage
- 7: Coil can fix Germany Nass Coil, for orifice under $\phi 16\sim 25\text{mm}$ only.
- 8: This series valves are offered NBR、VITON、EPDM etc for Seals and diaphragm to provide on-off control of various fluids.
- 9: Coil can fix SM Coil below DN25. AC 220V/AC110V/AC24V/DC24V



External Dimensions Chart



Flow Chart



Sanlixin Solenoid Valve

ZS 2/2-way large diameter direct acting solenoid valve · normally closed

Valve Selection List

Pipe Conn-ection	Orifice mm	CV Factor	Operating pressure differential (kgf/cm ²)							Max. Temp. °C	Coil F Class Type	Power consumption		External Dimensions Length x Width x Height Ax B x H	Model Code Follows Voltage are 220VAC50/60HZ	Weight (KG)
			Max.									VA AC 220V	W DC 24V			
			Min.	Air Gas		Water Hot water Liquid		Light oil								
				AC	DC	AC	DC	AC	DC							
3/8"	16	4.8	0	10	6	10	6	7	4	80	D	20	20	69×57×106	ZS1DF02N1C16	0.9
	16	4.8	0	10	6	10	6			120	D	20	20	69×57×106	ZS1DF02E1C16	0.9
	16	4.8	0	10	6	10	6	7	4	120	D	20	20	69×57×106	ZS1DF02V1C16	0.9
	16	4.8	0			3	3			120	D	20	20	69×57×106	ZS1DF02G1C16	0.9
1/2"	16	4.8	0	10	6	10	6	7	4	80	D	20	20	69×57×106	ZS1DF02N1D16	0.9
	16	4.8	0	10	6	10	6			120	D	20	20	69×57×106	ZS1DF02E1D16	0.9
	16	4.8	0	10	6	10	6	7	4	120	D	20	20	69×57×106	ZS1DF02V1D16	0.9
	16	4.8	0			3	3			120	D	20	20	69×57×106	ZS1DF02G1D16	0.9
3/4"	20	7.6	0	10	6	10	6	7	4	80	D	20	20	73×57×114	ZS1DF02N1E20	1.08
	20	7.6	0	10	6	10	6			120	D	20	20	73×57×114	ZS1DF02E1E20	1.08
	20	7.6	0	10	6	10	6	7	4	120	D	20	20	73×57×114	ZS1DF02V1E20	1.08
	20	7.6	0			3	3			120	D	20	20	73×57×114	ZS1DF02G1E20	1.08
1"	20	7.6	0	10	6	10	6	7	4	80	D	20	20	80×62×117	ZS1DF02N1G20	1.2
	20	7.6	0	10	6	10	6			120	D	20	20	80×62×117	ZS1DF02E1G20	1.2
	20	7.6	0	10	6	10	6	7	4	120	D	20	20	80×62×117	ZS1DF02V1G20	1.2
	20	7.6	0			3	3			120	D	20	20	80×62×117	ZS1DF02G1G20	1.2
	25	12	0	10	6	10	6	7	4	80	D	20	20	99×77×121	ZS1DF02N1G25	1.4
	25	12	0	10	6	10	6			120	D	20	20	99×77×121	ZS1DF02E1G25	1.4
	25	12	0	10	6	10	6	7	4	120	D	20	20	99×77×121	ZS1DF02V1G25	1.4
	25	12	0			3	3			120	D	20	20	99×77×121	ZS1DF02G1G25	1.4
1 1/4"	32	24	0	10	6	10	6	7	4	80	D	57	45	112×86.5×150	ZS1DF02N2H32	2.5
	32	24	0	10	6	10	6			120	D	57	45	112×86.5×150	ZS1DF02E2H32	2.5
	32	24	0	10	6	10	6	7	4	120	D	57	45	112×86.5×150	ZS1DF02V2H32	2.5
	32	24	0	10	6	10	6	7	4	80	D	57	45	112×86.5×150	ZS1DF02N1H32	2.7
	32	24	0	10	6	10	6			120	D	57	45	112×86.5×150	ZS1DF02E1H32	2.7
	32	24	0	10	6	10	6	7	4	120	D	57	45	112×86.5×150	ZS1DF02V1H32	2.7
1 1/2"	32	24	0	10	6	10	6	7	4	80	D	57	45	120×86.5×160	ZS1DF02N1J32	2.8
	32	24	0	10	6	10	6			120	D	57	45	120×86.5×160	ZS1DF02E1J32	2.8
	32	24	0	10	6	10	6	7	4	120	D	57	45	120×86.5×160	ZS1DF02V1J32	2.8
	40	29	0	10	6	10	6	7	4	80	D	57	45	123×94×160	ZS1DF02N2J40	2.9
	40	29	0	10	6	10	6			120	D	57	45	123×94×160	ZS1DF02E2J40	2.9
	40	29	0	10	6	10	6	7	4	120	D	57	45	123×94×160	ZS1DF02V2J40	2.9
	40	29	0	10	6	10	6	7	4	80	D	57	45	123×94×160	ZS1DF02N1J40	3.2
	40	29	0	10	6	10	6			120	D	57	45	123×94×160	ZS1DF02E1J40	3.2
	40	29	0	10	6	10	6	7	4	120	D	57	45	123×94×160	ZS1DF02V1J40	3.2
2"	40	29	0	10	6	10	6	7	4	80	D	57	45	130×94×175	ZS1DF02N1K40	3.8
	40	29	0	10	6	10	6			120	D	57	45	130×94×175	ZS1DF02E1K40	3.8
	40	29	0	10	6	10	6	7	4	120	D	57	45	130×94×175	ZS1DF02V1K40	3.8
	50	48	0	10	6	10	6	7	4	80	D	57	45	165×120×176	ZS1DF02N2K50	5.2
	50	48	0	10	6	10	6			120	D	57	45	165×120×176	ZS1DF02E2K50	5.2
	50	48	0	10	6	10	6	7	4	120	D	57	45	165×120×176	ZS1DF02V2K50	5.2
	50	48	0	10	6	10	6	7	4	80	D	57	45	165×120×176	ZS1DF02N1K50	5.4
	50	48	0	10	6	10	6			120	D	57	45	165×120×176	ZS1DF02E1K50	5.4
50	48	0	10	6	10	6	7	4	120	D	57	45	165×120×176	ZS1DF02V1K50	5.4	

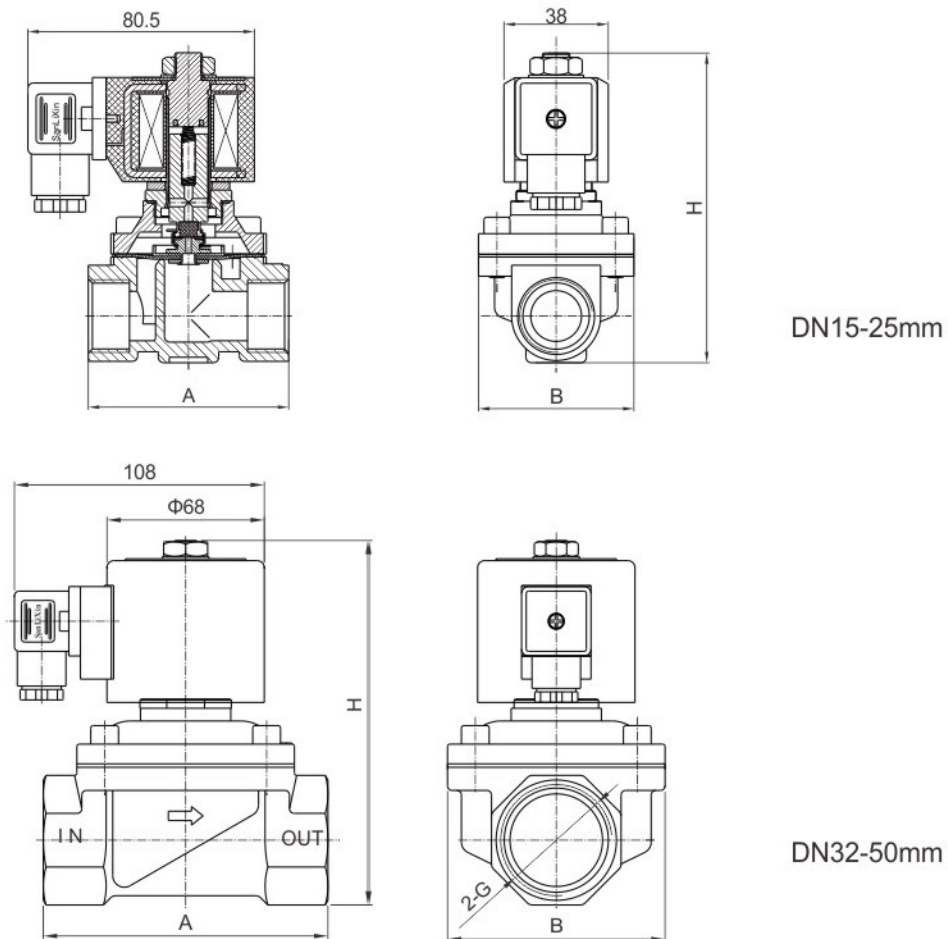


ZS 2/2-way large diameter direct acting solenoid valve · normally closed

- 1: 2-Way normally closed solenoid valve, Closed when de-energized, open when energized.
- 2: Body material: 304 stainless steel and 316 stainless steel
- 3: Fluids Temp: 0°C~120°C; Ambient Temp. 0°C~65°C
- 4: Serialized products, small in size, large flow rate, widely use
- 5: Flow as the arrow, mounts in any position; Best position is Solenoid vertical and upright direction.
- 6: Voltage: 220VAC/230VAC/240VAC/110VAC/24VAC 50/60HZ 24VDC/12VDC;
Voltage Tolerance: +10% to -10% applicable voltage
- 7: Coil can fix Germany Nass Coil, for orifice under DN25 only.
- 8: This series valves are offered NBR, VITON, EPDM etc
for Seals and diaphragm to provide on-off control of various fluids.
- 9: Coil can fix SM Coil below DN25. AC 220V/AC110V/AC24V/DC24V



External Dimensions Chart



Sanlixin Solenoid Valve

ZS 2/2-way large diameter direct acting solenoid valve · normally closed

Valve Selection List (Female Thread)

Pipe Conn-ection	Orifice mm	CV Factor	Operating pressure differential (kgf/cm ²)								Max. Temp. °C	Coil F Class Type	Power consumption		External Dimensions Length x Width x Height A x B x H	Model Code Follows Voltage are 220VAC 50/60HZ	Weight (KG)
			Min.	Max.						VA 220V			W DC 24V				
				Air Gas		Water Hot water Liquid		Light oil									
				AC	DC	AC	DC	AC	DC								
3/8"	16	4.8	0	10	6	10	6	7	4	80	D	20	20	69×57×106	ZS1DF02N4C16	0.85	
	16	4.8	0	10	6	10	6			120	D	20	20	69×57×106	ZS1DF02E4C16	0.85	
	16	4.8	0	10	6	10	6	7	4	120	D	20	20	69×57×106	ZS1DF02V4C16	0.85	
	16	4.8	0			3	3			120	D	20	20	69×57×106	ZS1DF02G4C16	0.85	
1/2"	16	4.8	0	10	6	10	6	7	4	80	D	20	20	69×57×106	ZS1DF02N4D16	0.8	
	16	4.8	0	10	6	10	6			120	D	20	20	69×57×106	ZS1DF02E4D16	0.8	
	16	4.8	0	10	6	10	6	7	4	120	D	20	20	69×57×106	ZS1DF02V4D16	0.8	
	16	4.8	0			3	3			120	D	20	20	69×57×106	ZS1DF02G4D16	0.8	
3/4"	20	7.6	0	10	6	10	6	7	4	80	D	20	20	73×57×114	ZS1DF02N4E20	1.1	
	20	7.6	0	10	6	10	6			120	D	20	20	73×57×114	ZS1DF02E4E20	1.1	
	20	7.6	0	10	6	10	6	7	4	120	D	20	20	73×57×114	ZS1DF02V4E20	1.1	
	20	7.6	0			3	3			120	D	20	20	73×57×114	ZS1DF02G4E20	1.1	
1"	20	7.6	0	10	6	10	6	7	4	80	D	20	20	80×62×117	ZS1DF02N4G20	1.20	
	20	7.6	0	10	6	10	6			120	D	20	20	80×62×117	ZS1DF02E4G20	1.20	
	20	7.6	0	10	6	10	6	7	4	120	D	20	20	80×62×117	ZS1DF02V4G20	1.20	
	20	7.6	0			3	3			120	D	20	20	80×62×117	ZS1DF02G4G20	1.20	
	25	12	0	10	6	10	6	7	4	80	D	20	20	99×77×121	ZS1DF02N4G25	1.45	
	25	12	0	10	6	10	6			120	D	20	20	99×77×121	ZS1DF02E4G25	1.45	
	25	12	0	10	6	10	6	7	4	120	D	20	20	99×77×121	ZS1DF02V4G25	1.45	
	25	12	0	10	6	3	3			120	D	20	20	99×77×121	ZS1DF02G4G25	1.45	
1 1/4"	32	24	0	10	6	10	6	7	4	80	D	57	45	112×86.5×150	ZS1DF02N4H32	2.3	
	32	24	0	10	6	10				120	D	57	45	112×86.5×150	ZS1DF02E4H32	2.3	
	32	24	0	10	6	10	6	7	4	120	D	57	45	112×86.5×150	ZS1DF02V4H32	2.3	
1 1/2"	32	24	0	10	6	10	6	7	4	80	D	57	45	120×86.5×160	ZS1DF02N4J32	2.6	
	32	24	0	10	6	10				120	D	57	45	120×86.5×160	ZS1DF02E4J32	2.6	
	32	24	0	10	6	10	6	7	4	120	D	57	45	120×86.5×160	ZS1DF02V4J32	2.6	
	40	29	0	10	6	10	6	7	4	80	D	57	45	123×94×160	ZS1DF02N4J40	2.9	
	40	29	0	10	6	10				120	D	57	45	123×94×160	ZS1DF02E4J40	2.9	
	40	29	0	10	6	10	6	7	4	120	D	57	45	123×94×160	ZS1DF02V4J40	2.9	
2"	40	29	0	10	6	10	6	7	4	80	D	57	45	130×94×175	ZS1DF02N4K40	3.5	
	40	29	0	10	6	10				120	D	57	45	130×94×175	ZS1DF02E4K40	3.5	
	40	29	0	10	6	10	6	7	4	120	D	57	45	130×94×175	ZS1DF02V4K40	3.5	
	50	48	0	10	6	10	6	7	4	80	D	57	45	165×123×176	ZS1DF02N4K50	4.8	
	50	48	0	10	6	10				120	D	57	45	165×123×176	ZS1DF02E4K50	4.8	
	50	48	0	10	6	10	6	7	4	120	D	57	45	165×123×176	ZS1DF02V4K50	4.8	



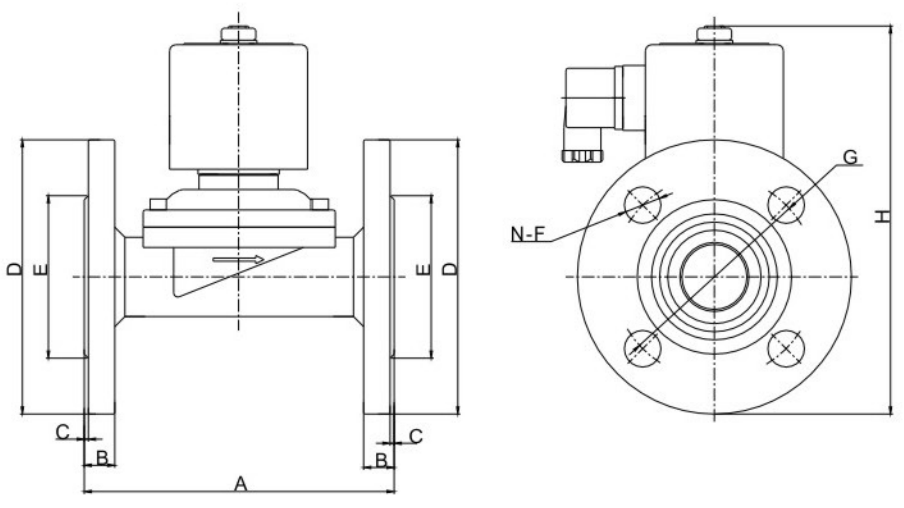
CE RoHS



ZS 2/2-way large diameter direct acting solenoid valve · normally closed



External Dimensions (Flange Type)



Model	A	B	C	ΦD	ΦE	N-ΦF	ΦG	H
ZS-15BF	106	12	2	95	45	4-14	65	138
ZS-20BF	106	12	2	102	56	4-14	75	141
ZS-25BF	140	14	2	115	62	4-14	85	160
ZS-32BF	152	15	2	135	76	4-18	100	215
ZS-40BF	152	15	2	145	84	4-18	110	215
ZS-50BF	195	16	2	160	98	4-18	125	220
ZS-65BF	250	19	3	185	118	4-18	145	308
ZS-80BF	270	19	3	202	134	4-18	160	320
ZS-100BF	340	21	3	220	162	8-18	180	345



Sanlixin Solenoid Valve

ZS 2/2-way large diameter direct acting solenoid valve · normally closed

Valve Selection List(Flange)

Orifice mm	CV Factor	Operating pressure differential (Kg/cm ²)							Max. Fluids Temp.	Coil F Class Type	Power		Model Code 220VAC 50/60HZ	Weight (KG)
		Min.	Max.								VA AC 220 V	W DC 24 V		
			Air Gas		Water Hot water Liquids		Light oil							
			AC	DC	AC	DC	AC	DC						
15	4.8	0	10	6	10	6	7	4	80	D	20	20	ZS1DF02N4F15	1.8
15	4.8	0	10	6	10	6			120	D	20	20	ZS1DF02E4F15	1.8
15	4.8	0	10	6	10	6	7	4	120	D	20	20	ZS1DF02V4F15	1.8
20	7.6	0	10	6	10	6	7	4	80	D	20	20	ZS1DF02N4F20	2.0
20	7.6	0	10	6	10	6			120	D	20	20	ZS1DF02E4F20	2.0
20	7.6	0	10	6	10	6	7	4	120	D	20	20	ZS1DF02V4F20	2.0
25	12	0	10	6	10	6	7	4	80	D	20	20	ZS1DF02N4F25	2.9
25	12	0	10	6	10	6			120	D	20	20	ZS1DF02E4F25	2.9
25	12	0	10	6	10	6	7	4	120	D	20	20	ZS1DF02V4F25	2.9
32	24	0	10	6	10	6	7	4	80	A	57	45	ZS1AF02N4F32	5.1
32	24	0	10	6	10	6			120	A	57	45	ZS1AF02E4F32	5.1
32	24	0	10	6	10	6	7	4	120	A	57	45	ZS1AF02V4F32	5.1
40	29	0	10	6	10	6	7	4	80	A	57	45	ZS1AF02N4F40	6.1
40	29	0	10	6	10	6			120	A	57	45	ZS1AF02E4F40	6.1
40	29	0	10	6	10	6	7	4	120	A	57	45	ZS1AF02V4F40	6.1
50	48	0	10	6	10	6	7	4	80	A	57	45	ZS1AF02N4F50	8.2
50	48	0	10	6	10	6			120	A	57	45	ZS1AF02E4F50	8.2
50	48	0	10	6	10	6	7	4	120	A	57	45	ZS1AF02V4F50	8.2
65	75	0	6	5	6	5	3	2	80	A	82	96	ZS1AF02N4F65	15.2
65	75	0	6	5	6	5			120	A	82	96	ZS1AF02E4F65	15.2
65	75	0	6	5	6	5	3	2	120	A	82	96	ZS1AF02V4F65	15.2
80	90	0	6	5	6	5	3	2	80	A	82	96	ZS1AF02N4F80	18
80	90	0	6	5	6	5			120	A	82	96	ZS1AF02E4F80	18
80	90	0	6	5	6	5	3	2	120	A	82	96	ZS1AF02V4F80	18
100	160	0	6	5	6	5	3	2	80	A	82	96	ZS1AF02N4F100	23.5
100	160	0	6	5	6	5			120	A	82	96	ZS1AF02E4F100	23.5
100	160	0	6	5	6	5	3	2	120	A	82	96	ZS1AF02V4F100	23.5

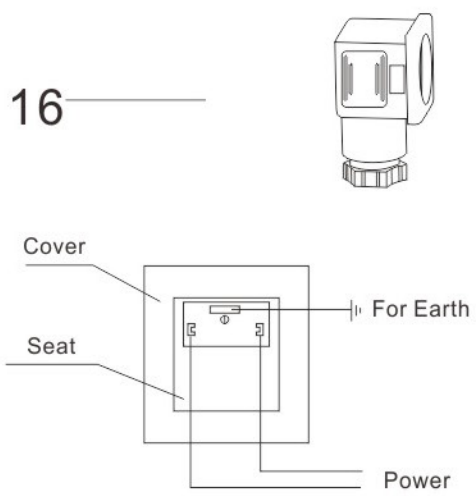
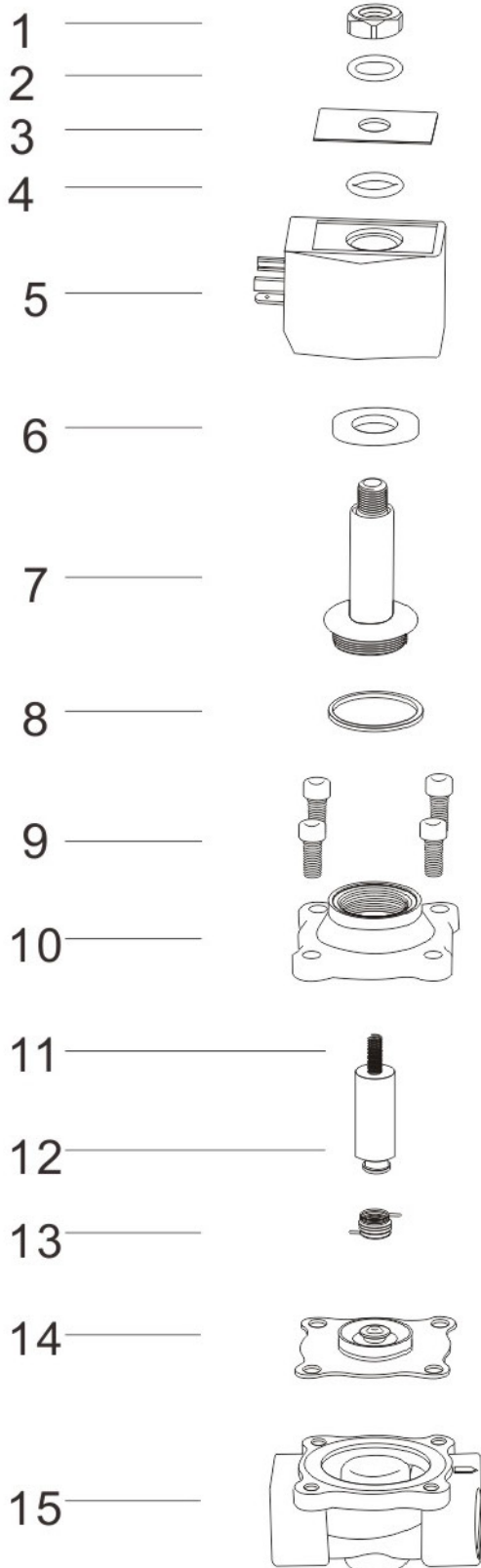


CE RoHS



ZS 2/2-way large diameter direct acting solenoid valve · normally closed

Components Chart



Solenoid Valve Wiring Chart

Code	Components
01	Locknut
02	Gasket
03	Label
04	O Ring
05	Coil
06	Plate
07	Plunger Tube Assembly
08	Plunger Tube Seal Ring
09	Bolts
10	Valve Cover
11	Plunger Spring
12	Plunger Assembly
13	Diaphragm Spring
14	Diaphragm Assembly
15	Valve Body
16	Plug

Sanlixin Solenoid Valve

ZS plastic series 2/2-way zero press differential solenoid valve · normally closed

- 1:** 2- Way normally closed solenoids valve. Closed when de-energized, open when energized
- 2:** Body material: Nylon
- 3:** Max pressure: 10bar Ambient temp 0-65°C
- 4:** Serialized products, small in size, large flow rate
- 5:** Voltage:AC 220V/230V/240V/110V/24V/12V Voltage tolerance:-10% ~ +10%
- 6:** Diaphragm seals: NBR, VITON, EPDM, SILICA GEL
- 7:** Plastic body: Its advantages are low cost, light, good appearance and easy to install. Consult factory for other size.
- 8:** The size below Dn25, coil can fix SM Coil.
AC 220V/AC110V/AC24V/DC24V



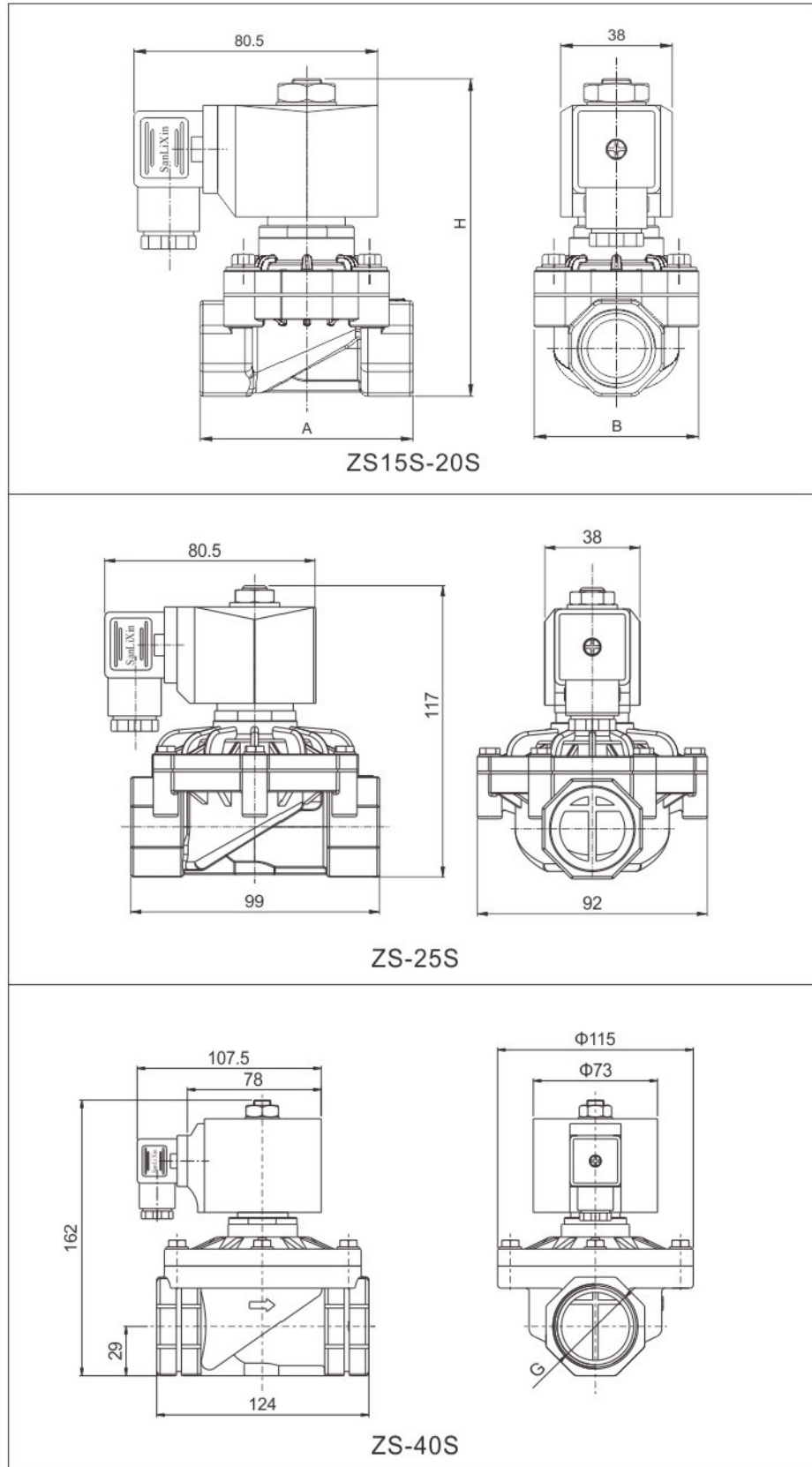
Valve Selection List

Pipe Size	Orifice mm	Operating pressure differential (kgf/cm ²)						Max. Fluids Temp. °C	Coil F Class	Power		External Dimensions Length x Width x Height A x B x H	Model Code 220VAC 50/60HZ	Weight (KG)	
		CV Factor	Min.	Max.						Type	VA AC 220 V				W DC 24 V
				Air		Water Hot water Liquids									
				AC	DC	AC	DC								
1/2"	15	4.8	0	8	6	8	6	80	D	20	20	69×57×106	ZS1DF02N7D15	0.4	
	15	4.8	0	8	6	8	6	80	D	20	20	69×57×106	ZS1DF02E7D15	0.4	
	15	4.8	0	8	6	8	6	80	D	20	20	69×57×106	ZS1DF02V7D15	0.4	
	15	4.8	0			3	3	80	D	20	20	69×57×106	ZS1DF02G7D15	0.4	
3/4"	20	7.6	0	8	6	8	6	80	D	20	20	73×57×114	ZS1DF02N7E20	0.45	
	20	7.6	0	8	6	8	6	80	D	20	20	73×57×114	ZS1DF02E7E20	0.45	
	20	7.6	0	8	6	8	6	80	D	20	20	73×57×114	ZS1DF02V7E20	0.45	
	20	7.6	0			3	3	80	D	20	20	73×57×114	ZS1DF02G7E20	0.45	
1"	25	12	0	8	6	8	6	80	D	20	20	99×92×117	ZS1DF02N7G25	0.52	
	25	12	0	8	6	8	6	80	D	20	20	99×92×117	ZS1DF02E7G25	0.52	
	25	12	0	8	6	8	6	80	D	20	20	99×92×117	ZS1DF02V7G25	0.52	
	25	12	0			3	3	80	D	20	20	99×92×117	ZS1DF02G7G25	0.52	
1 1/2"	40	29	0	6	6	6	6	80	D	57	45	124×115×162	ZS1DF02N7J40	1.9	
	40	29	0	6	6	6	6	80	D	57	45	124×115×162	ZS1DF02E7J40	1.9	
	40	29	0	6	6	6	6	80	D	57	45	124×115×162	ZS1DF02V7J40	1.9	



ZS plastic series 2/2-way zero press differential solenoid valve · normally closed

External Dimensions



Sanlixin Solenoid Valve

ZS 2/2-way direct acting solenoid valve · normally open

1: 2-Way normally open solenoid valve, open when de-energized, Closed when energized.

2: Body material: brass

3: Working pressure: 0~13kgf/cm²; Ambient Temp. 0°C~65°C

4: Serialized products, small in size, large flow rate, widely use.

5: Flow as the arrow, mounts in any position;
Best position is Solenoid vertical and upright direction.

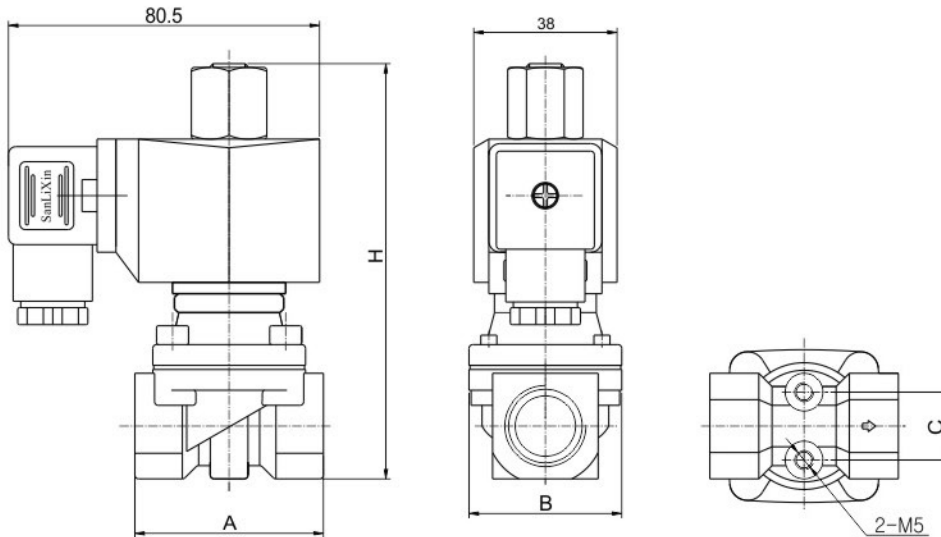
6: Voltage: AC110V/220V/230V/240V/ 50/60Hz DC24V/12V

Voltage Tolerance: +10% to -10% applicable voltage

7: This series valves are offered NBR、VITON、EPDM etc for Seals and diaphragm to provide on-off control of various fluids.



External Dimensions



Orifice(mm)	Pipe size G	A	B	C	H
Φ10	1/4"	50	40.5	18	110
	3/8"	50	40.5	18	110
	1/2"	50	40.5	18	110
Φ13	3/8"	55	43	18	110
	1/2"	55	43	18	110
Φ16	1/2"	60	49	25	117
	3/4"	60	49	25	117
Φ20	3/4"	72	60	28	125
	1"	72	60	28	125



ZS 2/2-way direct acting solenoid valve · normally open

Valve Selection List

Pipe Conn- ection	Orifice mm	CV Factor	Operating pressure differential (kgf/cm ²)				Max. Fluids Temp.	Coil Type	Power consumption		Coil Class	Model Code Follows Voltage are 220VAC	Weight (kg)
			Min.	Max.					VA	W			
				Air Gas	Water Hot water	Light oil			AC 220V	DC 24V			
1/4"	10	1.9	0	13	13	8	80	D	20	20	F	ZS2DF02N9B10	0.7
	10	1.9	0	13	13		120	D	20	20	F	ZS2DF02E9B10	
	10	1.9	0	13	13	8	120	D	20	20	F	ZS2DF02V9B10	
3/8"	10	2.4	0	13	13	8	80	D	20	20	F	ZS2DF02N9C10	0.68
	10	2.4	0	13	13		120	D	20	20	F	ZS2DF02E9C10	
	10	2.4	0	13	13	8	120	D	20	20	F	ZS2DF02V9C10	
	13	3.1	0	13	13	8	80	D	20	20	F	ZS2DF02N9C13	0.7
	13	3.1	0	13	13		120	D	20	20	F	ZS2DF02E9C13	
	13	3.1	0	13	13	8	120	D	20	20	F	ZS2DF02V9C13	
1/2"	10	2.4	0	13	13	8	80	D	20	20	F	ZS2DF02N9D10	0.67
	10	2.4	0	13	13		120	D	20	20	F	ZS2DF02E9D10	
	10	2.4	0	13	13	8	120	D	20	20	F	ZS2DF02V9D10	
	13	3.1	0	13	13	8	80	D	20	20	F	ZS2DF02N9D13	0.69
	13	3.1	0	13	13		120	D	20	20	F	ZS2DF02E9D13	
	13	3.1	0	13	13	8	120	D	20	20	F	ZS2DF02V9D13	
	16	4.0	0	12	12	8	80	D	20	20	F	ZS2DF02N9D15	0.95
	16	4.0	0	12	12		120	D	20	20	F	ZS2DF02E9D15	
	16	4.0	0	12	12	8	120	D	20	20	F	ZS2DF02V9D15	
3/4"	16	4.0	0	12	12	8	80	D	20	20	F	ZS2DF02N9E15	0.94
	16	4.0	0	12	12		120	D	20	20	F	ZS2DF02E9E15	
	16	4.0	0	12	12	8	120	D	20	20	F	ZS2DF02V9E15	
	20	5.6	0	10	10	8	80	D	20	20	F	ZS2DF02N9E19	1.24
	20	5.6	0	10	10		120	D	20	20	F	ZS2DF02E9E19	
	20	5.6	0	10	10	8	120	D	20	20	F	ZS2DF02V9E19	
1"	20	5.6	0	10	10	8	80	D	20	20	F	ZS2DF02N9G19	1.14
	20	5.6	0	10	10		120	D	20	20	F	ZS2DF02E9G19	
	20	5.6	0	10	10	8	120	D	20	20	F	ZS2DF02V9G19	

Sanlixin Solenoid Valve

ZS 2/2-way direct acting solenoid valve · normally open

1: 2-Way normally open solenoid valve, open when de-energized, Closed when energized.

2: Body material: Stainless steel (SS304)

3: Working pressure: 0~13kgf/cm²; Ambient Temp. 0°C~65°C

4: Serialized products, small in size, large flow rate, widely use.

5: Flow as the arrow, mounts in any position;
Best position is Solenoid vertical and upright direction.

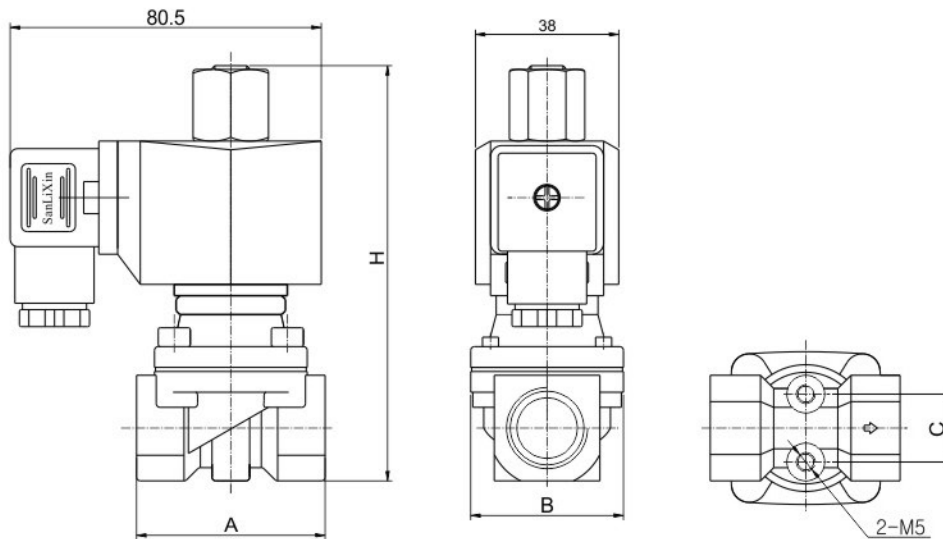
6: Voltage: AC110V/220V/230V/240V/ 50/60Hz DC24V/12V

Voltage Tolerance: +10% to -10% applicable voltage

7: This series valves are offered NBR、VITON、EPDM etc for Seals and diaphragm to provide on-off control of various fluids.



External Dimensions



Orifice(mm)	Pipe size G	A	B	C	H
Φ 10	1/4"	50	40.5	18	110
	3/8"	50	40.5	18	110
	1/2"	50	40.5	18	110
Φ 13	3/8"	55	43	18	110
	1/2"	55	43	18	110
Φ 16	1/2"	60	49	25	117
	3/4"	60	49	25	117
Φ 20	3/4"	72	60	28	125
	1"	72	60	28	125



ZS 2/2-way direct acting solenoid valve · normally open

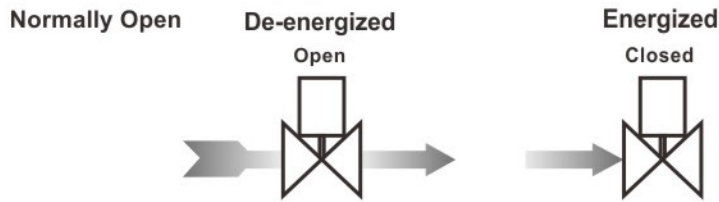
Valve Selection List

Pipe Conn-ection	Orifice mm	CV Factor	Operating pressure differential (kgf/cm ²)				Max. Fluids Temp.	Coil Type	Power consumption		Coil Class	Model Code Follows Voltage are 220VAC	Weight (kg)
			Min.	Max.					VA AC 220V	W DC 24V			
				Air Gas	Water Hot water	Light oil							
1/4"	10	1.9	0	13	13	8	80	D	20	20	F	ZS2DF02N4B10	0.7
	10	1.9	0	13	13		120	D	20	20	F	ZS2DF02E4B10	
	10	1.9	0	13	13	8	120	D	20	20	F	ZS2DF02V4B10	
3/8"	10	2.4	0	13	13	8	80	D	20	20	F	ZS2DF02N4C10	0.68
	10	2.4	0	13	13		120	D	20	20	F	ZS2DF02E4C10	
	10	2.4	0	13	13	8	120	D	20	20	F	ZS2DF02V4C10	
	13	3.1	0	13	13	8	80	D	20	20	F	ZS2DF02N4C13	0.7
	13	3.1	0	13	13		120	D	20	20	F	ZS2DF02E4C13	
	13	3.1	0	13	13	8	120	D	20	20	F	ZS2DF02V4C13	
1/2"	10	2.4	0	13	13	8	80	D	20	20	F	ZS2DF02N4D10	0.67
	10	2.4	0	13	13		120	D	20	20	F	ZS2DF02E4D10	
	10	2.4	0	13	13	8	120	D	20	20	F	ZS2DF02V4D10	
	13	3.1	0	13	13	8	80	D	20	20	F	ZS2DF02N4D13	0.69
	13	3.1	0	13	13		120	D	20	20	F	ZS2DF02E4D13	
	13	3.1	0	13	13	8	120	D	20	20	F	ZS2DF02V4D13	
	16	4.0	0	12	12	8	80	D	20	20	F	ZS2DF02N4D15	0.9
	16	4.0	0	12	12		120	D	20	20	F	ZS2DF02E4D15	
	16	4.0	0	12	12	8	120	D	20	20	F	ZS2DF02V4D15	
3/4"	16	4.0	0	12	12	8	80	D	20	20	F	ZS2DF02N4E15	0.88
	16	4.0	0	12	12		120	D	20	20	F	ZS2DF02E4E15	
	16	4.0	0	12	12	8	120	D	20	20	F	ZS2DF02V4E15	
	20	5.6	0	10	10	8	80	D	20	20	F	ZS2DF02N4E19	1.15
	20	5.6	0	10	10		120	D	20	20	F	ZS2DF02E4E19	
	20	5.6	0	10	10	8	120	D	20	20	F	ZS2DF02V4E19	
1"	20	5.6	0	10	10	8	80	D	20	20	F	ZS2DF02N4G19	1.05
	20	5.6	0	10	10		120	D	20	20	F	ZS2DF02E4G19	
	20	5.6	0	10	10	8	120	D	20	20	F	ZS2DF02V4G19	

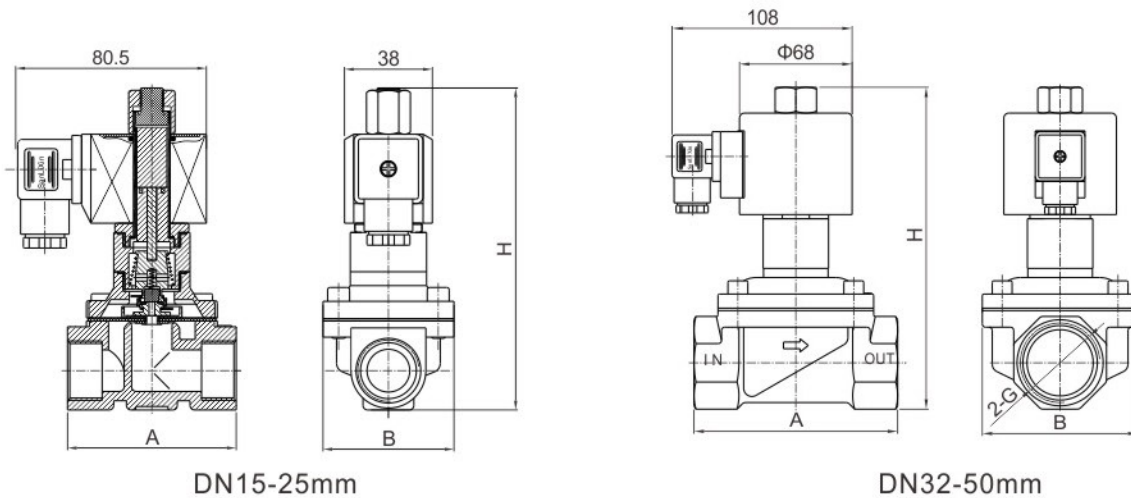
Sanlixin Solenoid Valve

ZS 2/2-way direct acting solenoid valve · normally open

- 1:** 2-Way normally open solenoid valve, open when de-energized, Closed when energized.
- 2:** Body material: brass
- 3:** Max. Allowable pressure 10kgf/cm²; Ambient Temp. 0°C~65°C
- 4:** Serialized products, small in size, large flow rate, widely use.
- 5:** Flow as the arrow, mounts in any position; Best position is Solenoid vertical and upright direction.
- 6:** Voltage: 220VAC/230VAC/240VAC/110VAC/24VAC 50/60Hz 24VDC/12VDC;
Voltage Tolerance: +10% to -10% applicable voltage
- 7:** This series valves are offered NBR, VITON, EPDM etc for Seals and diaphragm to provide on-off control of various fluids.



Construction, External Dimensions Chart





ZS 2/2-way direct acting solenoid valve · normally open

Valve Selection List

Pipe Conn-ection	Orifice mm	CV Factor	Operating pressure differential (kgf/cm ²)							Max. Fluids Temp.	Coil Type	Power consumption		External Dimensions Length x Width x Height A x B x H	Model Code Follows Voltage are 220VAC 50/60HZ	Weight (KG)				
			Min.	Max.								F Class	VA				W			
				Air Gas		Water Hot water Liquids		Light oil ≤20CST										Type	AC 220V	DC 24V
				AC	DC	AC	DC	AC	DC											
3/8"	4.0	0.6	0	4	4	4	4	3	3	80	D	33	20	52.5×32.5×115	ZS2DF02N1C04	0.7				
	4.0	0.6	0	4	4	4	4			120	D	33	20	52.5×32.5×115	ZS2DF02E1C04	0.7				
	4.0	0.6	0	4	4	4	4	3	3	120	D	33	20	52.5×32.5×115	ZS2DF02V1C04	0.7				
	16	4.8	0	5	5	5	5	3	3	80	D	33	20	69×57×106	ZS2DF02N1C16	1.2				
	16	4.8	0	5	5	5	5			120	D	33	20	69×57×106	ZS2DF02E1C16	1.2				
	16	4.8	0	5	5	5	5	3	3	120	D	33	20	69×57×106	ZS2DF02V1C16	1.2				
1/2"	16	4.8	0	5	5	5	5	3	3	80	D	33	20	69×57×135	ZS2DF02N1D16	1.15				
	16	4.8	0	5	5	5	5			120	D	33	20	69×57×135	ZS2DF02E1D16	1.15				
	16	4.8	0	5	5	5	5	3	3	120	D	33	20	69×57×135	ZS2DF02V1D16	1.15				
3/4"	20	7.6	0	5	5	5	5	3	3	80	D	33	20	73×57×142	ZS2DF02N1E20	1.25				
	20	7.6	0	5	5	5	5			120	D	33	20	73×57×142	ZS2DF02E1E20	1.25				
	20	7.6	0	5	5	5	5	3	3	120	D	33	20	73×57×142	ZS2DF02V1E20	1.25				
1"	20	7.6	0	5	5	5	5	3	3	80	D	33	20	80×62×145	ZS2DF02N1G20	1.35				
	20	7.6	0	5	5	5	5			120	D	33	20	80×62×145	ZS2DF02E1G20	1.35				
	20	7.6	0	5	5	5	5	3	3	120	D	33	20	80×62×145	ZS2DF02V1G20	1.35				
	25	12	0	5	5	5	5	3	3	80	D	33	20	99×77.5×150	ZS2DF02N1G25	1.7				
	25	12	0	5	5	5	5			120	D	33	20	99×77.5×150	ZS2DF02E1G25	1.7				
	25	12	0	5	5	5	5	3	3	120	D	33	20	99×77.5×150	ZS2DF02V1G25	1.7				
1 1/4"	32	24	0	5	5	5	5	3	3	80	D	70	55	112×86.5×180	ZS2AF02N2H32	2.75				
	32	24	0	5	5	5	5			120	D	70	55	112×86.5×180	ZS2AF02E2H32	2.75				
	32	24	0	5	5	5	5	3	3	120	D	70	55	112×86.5×180	ZS2AF02V2H32	2.75				
	32	24	0	5	5	5	5	3	3	80	D	70	55	112×86.5×180	ZS2AF02N1H32	2.9				
	32	24	0	5	5	5	5			120	D	70	55	112×86.5×180	ZS2AF02E1H32	2.9				
	32	24	0	5	5	5	5	3	3	120	D	70	55	112×86.5×180	ZS2AF02V1H32	2.9				
1 1/2"	32	24	0	5	5	5	5	3	3	80	D	70	55	120×86.5×190	ZS2AF02N1J32	3.0				
	32	24	0	5	5	5	5			120	D	70	55	120×86.5×190	ZS2AF02E1J32	3.0				
	32	24	0	5	5	5	5	3	3	120	D	70	55	120×86.5×190	ZS2AF02V1J32	3.0				
	40	29	0	5	5	5	5	3	3	80	D	70	55	123×94×190	ZS2AF02N2J40	3.15				
	40	29	0	5	5	5	5			120	D	70	55	123×94×190	ZS2AF02E2J40	3.15				
	40	29	0	5	5	5	5	3	3	120	D	70	55	123×94×190	ZS2AF02V2J40	3.15				
	40	29	0	5	5	5	5	3	3	80	D	70	55	123×94×190	ZS2AF02N1J40	3.2				
	40	29	0	5	5	5	5			120	D	70	55	123×94×190	ZS2AF02E1J40	3.2				
	40	29	0	5	5	5	5	3	3	120	D	70	55	123×94×190	ZS2AF02V1J40	3.2				
2"	40	29	0	5	5	5	5	3	3	80	D	70	55	130×94×208	ZS2AF02N1K40	3.8				
	40	29	0	5	5	5	5			120	D	70	55	130×94×190	ZS2AF02E1K40	3.8				
	40	29	0	5	5	5	5	3	3	120	D	70	55	130×94×190	ZS2AF02V1K40	3.8				
	50	48	0	5	5	5	5	3	3	80	D	70	55	168×120×209	ZS2AF02N2K50	5.4				
	50	48	0	5	5	5	5			120	D	70	55	168×120×209	ZS2AF02E2K50	5.4				
	50	48	0	5	5	5	5	3	3	120	D	70	55	168×120×209	ZS2AF02V2K50	5.4				
	50	48	0	5	5	5	5	3	3	80	D	70	55	168×120×209	ZS2AF02N1K50	5.6				
	50	48	0	5	5	5	5			120	D	70	55	168×120×209	ZS2AF02E1K50	5.6				
	50	48	0	5	5	5	5	3	3	120	D	70	55	168×120×209	ZS2AF02V1K50	5.6				

Sanlixin Solenoid Valve

ZS plastic series 2/2-way zero press differential solenoid valve · normally open

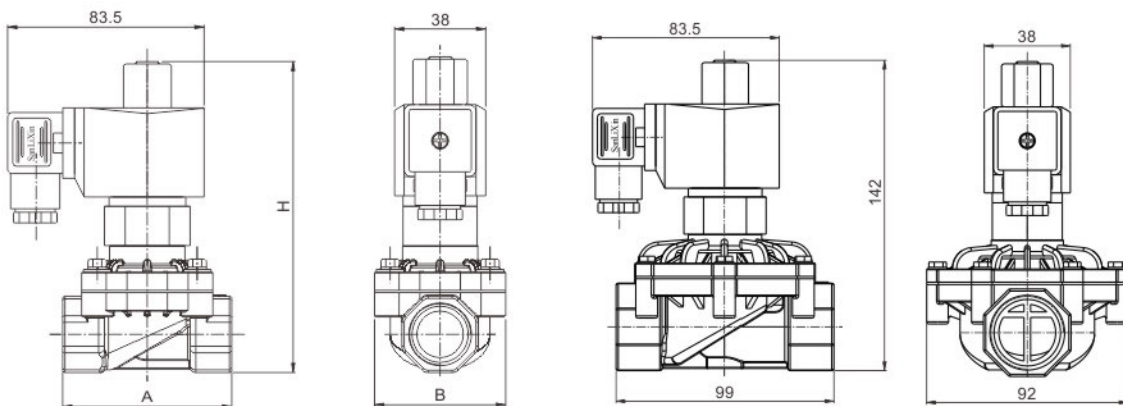
- 1: 2/2 -Way normally open solenoids valve.
- 2: Open when de-energized, closed when energized
- 3: Body material: Nylon
- 4: Max pressure: 10bar Ambient temp 0-65°C
- 5: Serialized products, small in size, large flow rate
- 6: Voltage: AC 220V/230V/240V/110V/24V/12V
- 7: Voltage tolerance: -10% ~ +10%
- 8: Diaphragm seals: NBR, VITON, EPDM, SILICAGEL
- 9: Plastic body: Its advantages are low cost, light, good appearance and easy to install. Consult factory for other size.



Valve Selection List

Pipe Size	Orifice mm	Operating pressure differential (kgf/cm ²)						Max. Fluids Temp. °C	Coil		Power		External Dimensions Length x Width x Height A x B x H	Model Code 220VAC 50/60HZ	Weight (KG)
		CV Factor	Min.	Max.					F Class Type	VA AC 220 V	W DC 24 V				
				Air		Water Hot water Liquids									
				AC	DC	AC	DC								
1/2"	15	4.8	0	5	5	5	5	80	D	33	20	69×57×133	ZS2DF02N7D15	0.6	
	15	4.8	0	5	5	5	5	80	D	33	20	69×57×133	ZS2DF02E7D15	0.6	
	15	4.8	0	5	5	5	5	80	D	33	20	69×57×133	ZS2DF02V7D15	0.6	
	15	4.8	0			3	3	80	D	33	20	69×57×133	ZS2DF02G7D15	0.6	
3/4"	20	7.6	0	5	5	5	5	80	D	33	20	73×57×140	ZS2DF02N7E20	0.6	
	20	7.6	0	5	5	5	5	80	D	33	20	73×57×140	ZS2DF02E7E20	0.6	
	20	7.6	0	5	5	5	5	80	D	33	20	73×57×140	ZS2DF02V7E20	0.6	
	20	7.6	0			3	3	80	D	33	20	73×57×140	ZS2DF02G7E20	0.6	
1"	25	12	0	5	5	5	5	80	D	33	20	99×77×146	ZS2DF02N7G25	0.7	
	25	12	0	5	5	5	5	80	D	33	20	99×77×146	ZS2DF02E7G25	0.7	
	25	12	0	5	5	5	5	80	D	33	20	99×77×146	ZS2DF02V7G25	0.7	
	25	12	0			3	3	80	D	33	20	99×77×146	ZS2DF02G7G25	0.7	

External Dimensions Chart



ZS2-15S~20S

ZS2-25S



ZS series coil parameters tables

ZS Series Coils Characteristics List

Coils Model Code	Voltage	Power consumption					The orifice for suitable Valve Model. (mm)	
		50HZ VA		60HZ VA		DC	Normally closed	Normally open
		Inrush	Holding	Inrush	Holding	W		
N05-2101	AC220V	32	13	32	12	—	φ 2.5	—
N05-2102	AC110V	32	13	32	12	—	φ 3.0	
N05-2106	DC24V	—				8.5	—	
N05-2107	DC12V	—				8.5		
D01-4101A	AC220V	60	20	60	20	—	φ 4~ φ 25	—
N01-4101								
D01-4101B	AC220V	82	33	82	33	—	—	φ 2.5~φ 3.0 φ 4~ φ 25
N01-4101								
A01-4101	AC220V	70	28	70	23	—	φ 4~ φ 25	φ 4~ φ 25
D01-4102	AC110V	82	28	82	28			
N01-4102	AC110V	82	28	82	28			
A01-4102	AC110V	70	28	70	23			
D01-4106	DC24V	—				20	φ 4~ φ 25	—
D01-4107	DC12V	—						
D08-6101	AC220V	175	57	175	56	—	φ 32~ φ 50	—
N08-6101								
A08-6101	AC220V	110	44	110	36			
D08-6102	AC110V	110	45	110	36			
N08-6102								
A08-6102	AC110V	110	44	110	36			
D08-6106	DC24V	—				40	—	—
N08-6106		—				49		
A08-6106	DC24V	—				49	—	—
A10-92101	AC220V	159	55	150	50	—		
A10-92106	DC24V	—					96	

SM Coil parameters tables

Coils Model Code	Voltage	Power consumption		Electricity		The orifice for suitable Valve Model. (mm)	
		Inrush	holding	Inrush	holding	Normally closed	Normally open
SM-3101	AC220V	78VA	4.5VA	350mA	20mA	φ 10	—
SM-3102	AC110V	72VA	5.0VA	660mA	45mA		
SM-3106	DC24V	50W	7.2W	3300mA	310mA		
SM-3104	AC24V	19VA	6.5VA	2600mA	320mA		
SM-3107	DC12V	30W	8.5W	2900mA	700mA	Compact Direct Acting φ 4- φ 10 Diaphragm Type φ 16- φ 25	—
SM-4101	AC220V	130VA	6VA	590mA	28mA		
SM-4102	AC110V	95VA	8.0VA	900mA	75mA		
SM-4106	DC24V	50W	9W	4050mA	365mA		
SM-4104	AC24V	19VA	7.0VA	3400mA	360mA		
SM-4107	DC12V	45W	4.5W	3750mA	380mA	—	—