

CE
ISO9001:2000

AFC, BFC Series

Two-point Combination
(FR.L. Combination)



AFC2000



AFC2000





BFC(2000 ~ 4000)

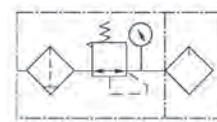
FRL

- AC, BC
- AFC, BFC**
- AF, BF
- AR, BR
- AFR, BFR
- AL, BL
- JAC
- JAF
- JAR
- JAW
- JAL
- PTH
- JAD

Ordering Code

BFC	3000	D
Model	Port size	Drain Type
AFC: Small 	1500: G1/8" 2000: G1/4" 3000: G3/8"	Blank: Semi-automatic D: Automatic
BFC: Medium 	4000: G1/2"	

Symbol



Specification

Model	AFC1500	AFC2000	BFC2000	BFC3000	BFC4000	
Operating Fluid	Air					
Port Size	G 1/8"	G 1/4"	G 1/4"	G 3/8"	G 1/2"	
Filter Precision	40 μ					
Range of Adjustable Pressure	0.05 ~ 0.85 MPa					
Max. Adjustable Pressure	0.95 MPa					
Ensured Pressure Resistance	1.5 MPa					
Operating Temperature Range	5 ~ 60 °C					
Capacity of Filter Cup	15 cc			60 cc		
Capacity of oil Cup	25 cc			90 cc		
Suggested Lubricating oil	ISO VG 32 or Same Grade Oil					
Weight	0.5 KG		0.7 KG			
Material	Body	Aluminum Die-casting Forming				
	Container Cup	PC				
	Protective Cover	-				
Composed Elements	Filter Regulator	AFR1500	AFR2000	BFR2000	BFR3000	BFR4000
	Lubricator	AL1500	AL2000	BL2000	BL3000	BL4000

AC, BC Series AFC, BFC Series



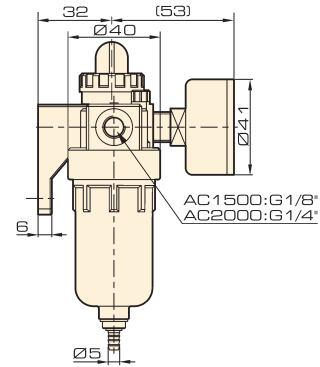
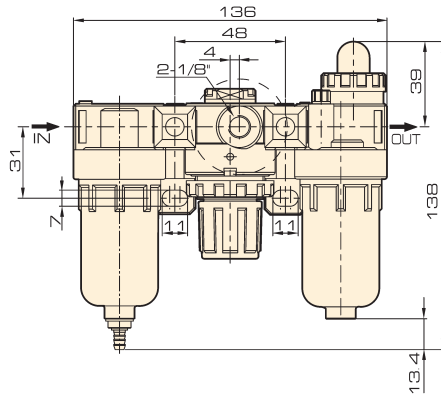
The way to automation

- FRL
- AC, BC
- AFC, BFC
- AF, BF
- AR, BR
- AFR, BFR
- AL, BL
- JAC
- JAF
- JAR
- JAW
- JAL
- PTH
- JAD

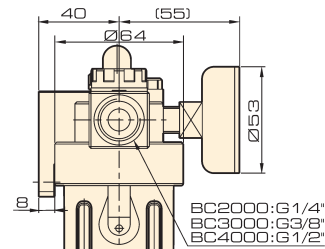
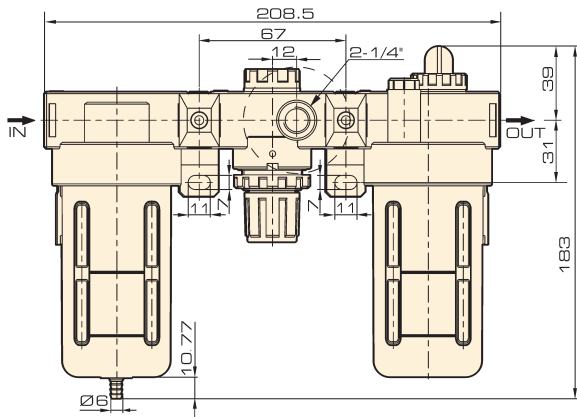
Overall Dimension

AC, BC Series Three-point Combination (F.R.L. Combination)

AC



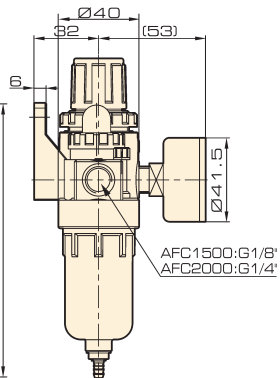
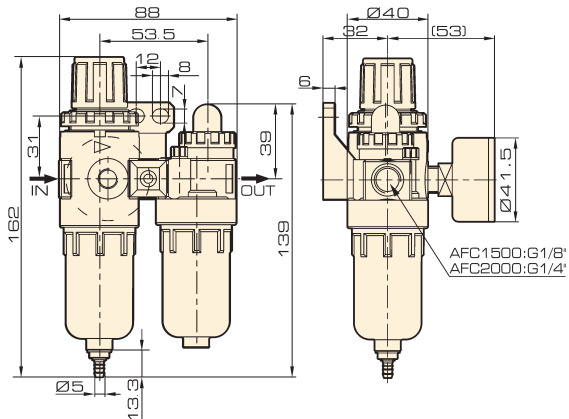
BC



AFC, BFC Series Two-point Combination (FR.L. Combination)

Overall Dimension

AFC



BFC

