

SK61 type STAINLESS STEEL STEAM TRAP

CHARACTERISTICS

The SK61 steam trap is a float steam trap dedicated to steam installations purging. With its stainless steel construction, it is available with threaded connections and with PN16/25 flanged connections with a face-to-face dimension complying with the DIN 2533 standard. This steam trap permits the evacuation of considerable quantities of condensate and can perfectly adapt to flow rate change. Consequently, it is particularly dedicated to process draining in heat exchangers, autoclaves, and condensers in the field of chemical processing and the food and drugs industries. The standard version of the SK61 is equipped with a thermostatic capsule for air elimination at start-up. It has to be mounted in a horizontal position and various internal mechanisms are possible, depending on pressure differential.

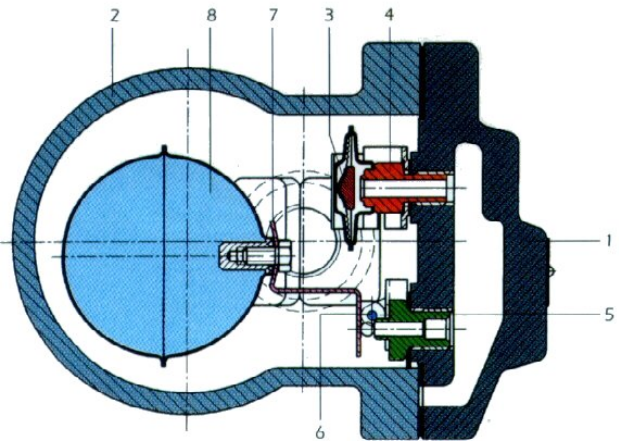


LIMITS OF USE

Max. allowable pressure (PS)	25 bar
Max. allowable temperature (TS)	250 °C

CONSTRUCTION

#	Item	Material
1	Body	Stainless steel 316
2	Cover	Stainless steel 316
3	Gasket	Graphite-stainless steel
4	Thermostatic capsule	Stainless steel/ Hastelloy
5	Seat (air)	Stainless steel 304
6	Seat (condensate)	Stainless steel 304
7	Lever	Stainless steel 304
8	Float	Stainless steel 304



AVAILABLE ITEMS

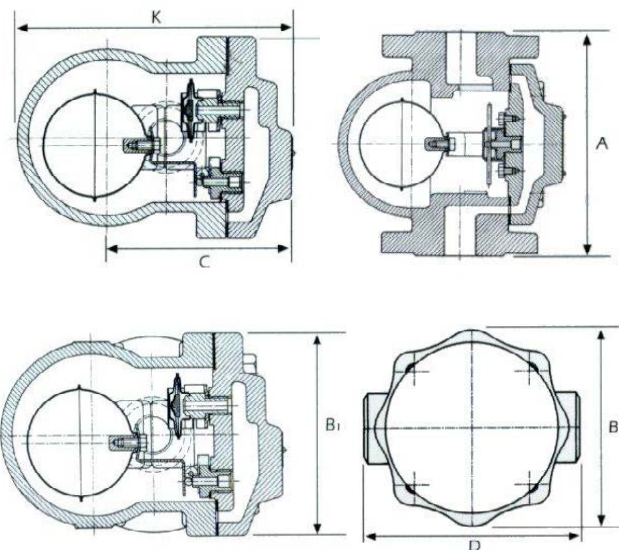
BSP threaded connections: 1/2" - 3/4" - 1"
 PN16/25/40 flanged connections: DN15, 20 and 25
 ΔP 4.5 / 10 / 14 bar

EC 97/23 DIRECTIVE CATEGORY

Excluded - Article 3 § 3

DIMENSIONS

DN	A	K	B	B1	C	D
15	150	150	108	105	68	122
20	150	150	108	105	68	122
25	160	167	108	110	107	145

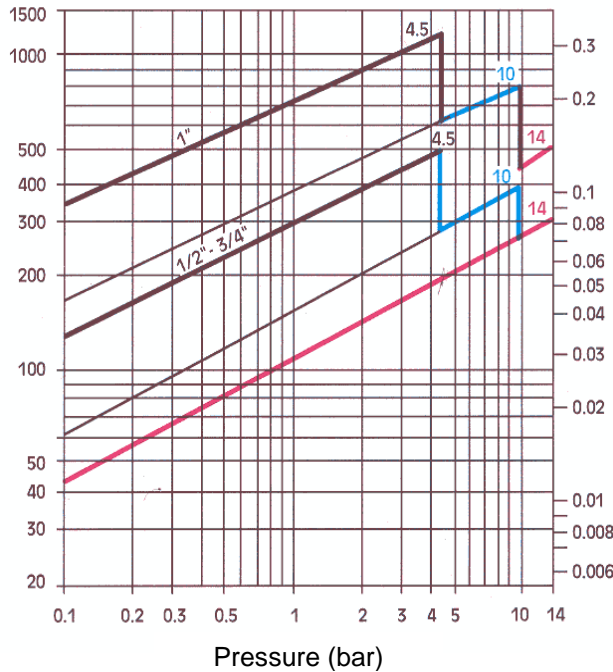


Technical data given for information purpose only. May be subject to alteration without prior notice

	SECTORIEL S.A. 45, rue du Ruisseau 38290 Saint Quentin-Fallavier – FRANCE Tel.: +33 474 94 90 70 – Fax: +33 474 94 13 95 www.sectoriel.fr / email: sectoriel@sectoriel.fr	Page	1/2
		Ref.	FT 1513 GB
		Rev.	0
		Date	01/2007

SK61 type STAINLESS STEEL STEAM TRAP

FLOW RATES (kg/h)



INSTALLATION AND MOUNTING

The SK61 steam trap has to be installed lower than the pipework to drain. It is delivered for a horizontal mounting standard. Upstream from the steam trap, it is recommended to install a Y strainer in order to avoid damages caused by impurities on the steam trap seat. The steam trap outlet has to be connected to the condensate return system or directed to waste. In this case, please respect the maximum temperature allowance for the environment.

The SK steam trap mounting position is very important for its effective operation. 2 mounting instructions should be respected:

- 1/ The SK has to be installed in a horizontal position, following the direction of the arrow marked on the body: steam upstream and condensate downstream.
- 2/ The arrow marked on the nameplate has to point downwards.

Before installing the steam trap, isolate and depressurize the line. Please wait until the complete cooling of the system.

Carefully clean the upstream piping.

Fix the steam trap on the pipes after having checked the above mounting instructions.

For the flanged SK steam trap, please choose flange gaskets that are adapted to the use on steam. Use the below nut type:


DN	# of holes	Diameter	Length
15 and 20	4	M14	50
25	4	M16	60
32, 40 and 50	4	M16	110

DISMANTLING AND MAINTENANCE

It is not necessary to remove the steam trap to proceed to its maintenance.

1. Shut the upstream isolating valve off.
2. Drain the downstream piping.
3. Please make sure that there is no pressure and no temperature.
4. Unscrew the 4 screws and remove cover (*mark 2 on the drawing, page 1*).
5. Check the float (*mark 8*) and the whole mechanism conditions (especially the seat *mark 6*). Clean and repair the damaged pieces if necessary.
6. Check the thermostatic air eliminator (*mark 4*) and the seat condition. Replace the air eliminator if necessary and clean the seat.
7. Remount the cover (*mark 2*) by changing the body gasket (*mark 3*).

Technical data given for information purpose only. May be subject to alteration without prior notice

	SECTORIEL S.A.	Page	2/2
	45, rue du Ruisseau	Ref.	FT 1513 GB
	38290 Saint Quentin-Fallavier – FRANCE	Rev.	0
	Tel.: +33 474 94 90 70 – Fax: +33 474 94 13 95	Date	01/2007
	www.sectoriel.fr / email: sectoriel@sectoriel.fr		