

HV, K Series Hand Switching Valve



The way to automation

- Valve
- 4V100
- 4V200
- 4V300
- 4V400
- Manifold
- 3V1
- JEL
- JZF
- MVSD
- VF, VZ
- BM, PU, AM
- Diaphragm
- Coil
- 2V
- 2W
- 2W(Big)
- 2P
- 2L
- VX
- PU
- PU225
- 2Q
- JEL5404
- JEL6213
- Pulse
- JELJZF
- 4H
- TSV
- MPV
- 4HV
- HV,K**
- 4R
- 4F
- MSV
- JM
- ASC, RE
- QE, QEA
- ST
- HSV



K34R₈-L8

HV400

HV400

Ordering Code

| | | | |
|----------------------|------------|--|---------------------------------|
| HV | 400 | 02 | B |
| Specification | Series | Port Size | Connection type |
| Hand Switching Valve | | 02: G 1/4" 03: G 3/8" 04: G 1/2" | Blank: Threaded B: Sub-plate |

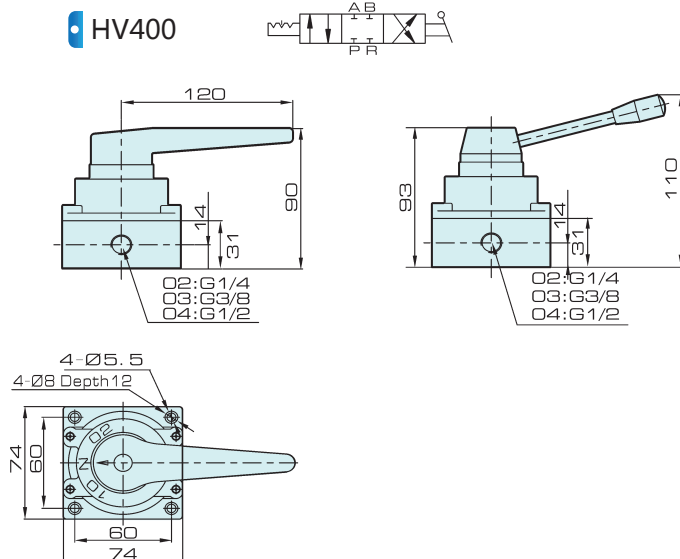
| | | | |
|----------------------|----------------------------|---------------------------------------|--------------------------|
| K | 34 | R₈ | L8 |
| Specification | Series | Port Size | Connection Type |
| Hand Switching Valve | 24: 4/2 Way 34: 4/2 Way | R ₈ : Hand Switching Valve | L6: G 1/8" L8: G 1/4" |

Specification

| Model | HV400-02 | HV400-03 | HV400-04 | K34R ₈ -L6 | K34R ₈ -L8 |
|------------------------------|------------------------------|----------|----------|------------------------------|-----------------------|
| Working Medium | 40 Micron Filtered Air | | | | |
| Port Size | G 1/4" | G 3/8" | G 1/2" | G 1/8" | G 1/4" |
| Effective Cross Section Area | 30 mm ² (CV=1.68) | | | 18 mm ² (CV=1.00) | |
| Working Pressure | 0 ~ 0.8 MPa | | | | |
| Max. Ambient Temperature | 0 ~ 60 °C | | | | |

Overall Dimension

HV400



K34R₈-L8

