

MSV Series Mechanical Valve



The way to automation

- Valve
- 4V100
- 4V200
- 4V300
- 4V400
- Manifold
- 3V1
- JEL
- JZF
- MVSD
- VF, VZ
- BM, PU, AM
- Diaphragm
- Coil
- 2V
- 2W
- 2W(Big)
- 2P
- 2L
- VX
- PU
- PU225
- 2Q
- JEL5404
- JEL6213
- Pulse
- JELJZF
- 4H
- TSV
- MPV
- 4HV
- HV, K
- 4R
- 4F
- MSV**
- JM
- ASC, RE
- QE, QEA
- ST
- HSV



Ordering Code

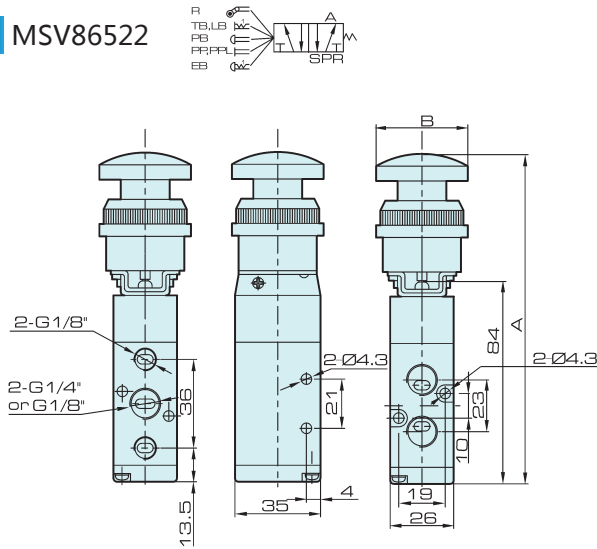
MSV	86	32	1	R
Specification	Series	Position Number	Port Size	Button
Mechanical Valve	98 Series 86 Series	32: 3/2 way 52: 5/2 way	1: G 1/8" 2: G 1/4"	Blank: Plunger R: Roller TB: Selector knob LB: Long selector knob PB: Mushroom head button PP: Push button PPL: Raised push button EB: Emergency push button with lock

Specification

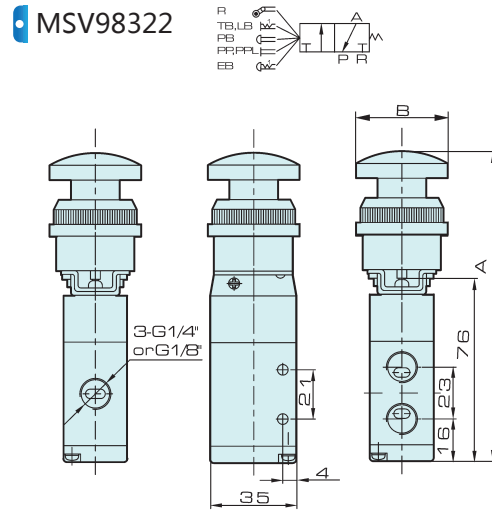
Model	MSV86321	MSV86522	MSV98322
Working Medium	40 Micron Filtered Air		
Valve Type	3/2 Way	5/2 Way	3/2 Way
Working Pressure	0 ~ 0.8 MPa	0 ~ 0.8 MPa	0 ~ 0.8 MPa
Ambient Temperature	0 ~ 60 °C		
Effective Cross Section Area	12 mm ² (CV = 0.67)	16 mm ² (CV = 0.89)	16 mm ² (CV = 0.89)
Port Size	G 1/8"	G 1/4"	G 1/4"

Overall Dimension

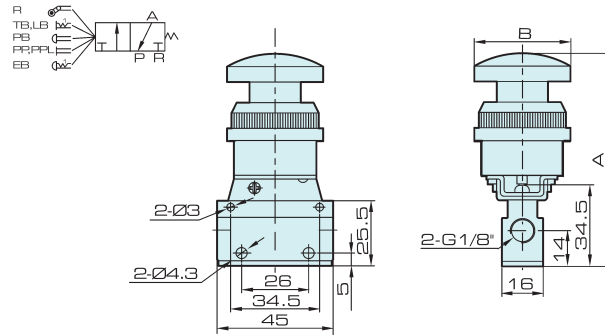
MSV86522



MSV98322



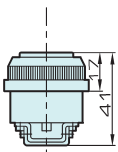
MSV86321



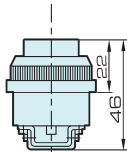
Dimension

Series	Symbol / Model	PP	PPL	LB	TB	EB	PB	R
MSV86522	A	114	119	133	136.5	134	131	107.5
	B	39.5	24.5	26.5	36.5	39.5	37.5	42.5
MSV98322	A	106	111	125	129.5	126	123	99.5
	B	39.5	24.5	26.5	36.5	39.5	37.5	42.5
MSV86321	A	66	71	85	88.5	86	83	59.5
	B	39.5	24.5	26.5	36.5	39.5	37.5	42.5

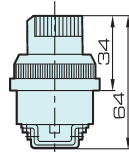
PP



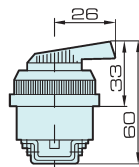
PPL



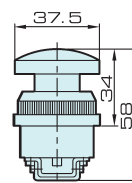
TB



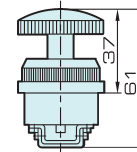
LB



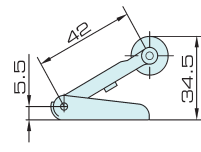
PB



EB



R



Valve

- 4V100
- 4V200
- 4V300
- 4V400
- Manifold
- 3V1
- JEL
- JZF
- MVSD
- VF, VZ
- BM, PU, AM
- Diaphragm
- Coil
- 2V
- 2W
- 2W(Big)
- 2P
- 2L
- VX
- PU
- PU225
- 2Q
- JEL5404
- JEL6213
- Pulse
- JEL, JZF
- 4H
- TSV86
- MPV
- 4HV
- HV, K
- 4R
- 4F
- MSV
- JM
- ASC, RE
- QE, QEA
- ST
- HSV