

# SBD-A Timing Of Drainage Solenoid Valve

**Use:** Universal electronic drain valve in analog circuit solid match the solenoid valve, electronic timer implementation to the timing of condensed water from compressed air system auto emissions. Drying machine is widely used in filter separator gasholder dripping feet, compressed air system components, discharge time and interval time can be adjusted according to different needs

**Characteristic:**

- easy installation Automatic
- Time interval and discharge time can be adjusted with the test button
- Orifice size:3mm pressure:16bar
- Heat resistance level: H class Ip65
- Filter configuration ball valves, import and export into 90°C

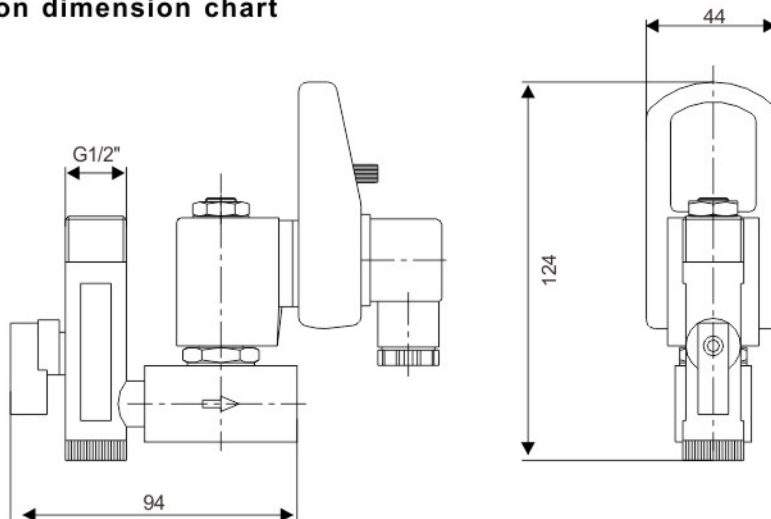


**Technology Parameters:**

TIMER	TIMER
Interval time ( OFF )	0.5~45min
Discharge time ( ON )	0.5 ~ 10sec
Voltage	24 ~ 240V AC/DC 50/60HZ
Power	22VA
Ambient temp	-10~+60°C
IP level	Ip65
Shell material	ABS
Connect	DIN43650A
Indicator light	Electric light

Solenoid valve	SBD-A
Type	2/2-Way direct acting
Pipe size	G1/4" 3/8" 1/2"
Working Pressure	0-16bar
Fluid temp	< 80°C
Orifice size	3mm
Body material	brass
Insulation level	H class
IP level	IP65
Voltage range	± 10%

**Configuration dimension chart**



# Sanlixin Solenoid Valve

## SBD-B Timing Of Drainage Solenoid Valve

**Use:** Universal electronic drain valve in analog circuit solid match the solenoid valve, electronic timer implementation to the timing of condensed water from compressed air system auto emissions. Drying machine is widely used in filter separator gasholder dripping feet, compressed air system components, discharge time and interval time can be adjusted according to different needs

### Characteristic:

- easy installation Automatic
- Time interval and discharge time can be adjusted with the test button
- Orifice size:3mm pressure:16bar
- Heat resistance level: H class Ip65
- Filter configuration ball valves, import and export into 180°C



### Technology Parameters:

TIMER	TIMER
Interval time ( OFF )	0.5~45min
Discharge time ( ON )	0.5 ~ 10sec
Voltage	24 ~ 240V AC/DC 50/60HZ
Power	22VA
Ambient temp	-10~+60°C
IP level	Ip65
Shell material	ABS
Connect	DIN43650A
Indicator light	Electric light

Solenoid valve	SBD-B
Type	2/2-Way direct acting
Pipe size	G1/2"
Working Pressure	0-16bar
Fluid temp	< 80°C
Orifice size	3mm
Body material	brass
Insulation level	H class
IP level	IP65
Voltage range	± 10%

### Configuration dimension chart

