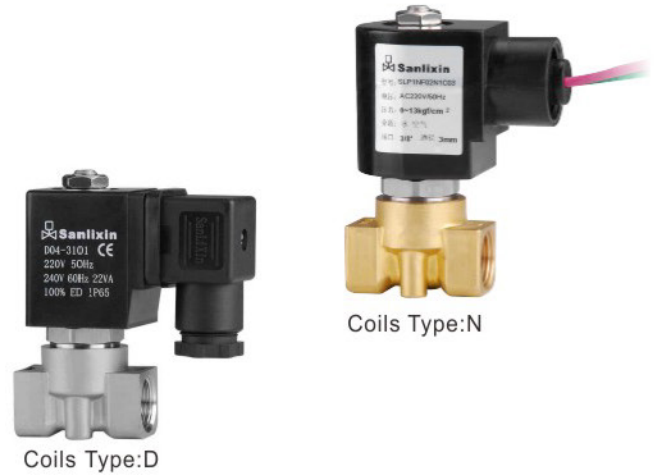


Sanlixin Solenoid Valve

SLP small series 2/2-way direct acting solenoid valve · normally closed

- 1.2/2 way normally closed , closed when de-energized , open when energized
2. Ambient temp : 0~65℃
3. Flow as the arrow ,mounts in any position ; best position is solenoid vertical and upright direction
4. Voltage : AC220V/230V/240V/110V/24V 50/60HZ
DC24V/12V
5. Seals : Can choose NBR、EPDM、VITON to fit to control of different media
6. Coil can fix SM Coil. AC 220V/AC110V/AC24V/DC24V

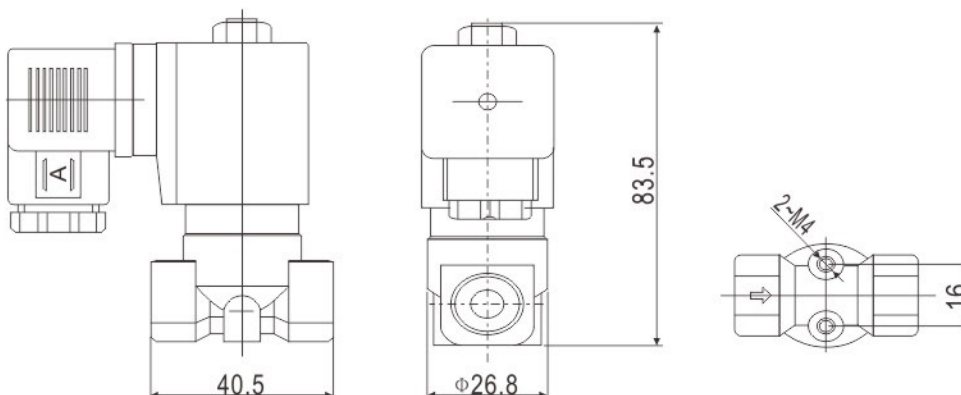


Valve Selection List

Pipe Conn-ection	Orifice mm	CV Factor	Operating pressure Differential (kgf/cm ²)				Max. Temp. °C	Coil Type	Power consumption		Coil Class	Model Code Follows Voltage are 220VAC50/60HZ		
			Min.	Max.		AC 220V			DC 24V					
				Air、Gas water、Hotwater liquid						Light oil				
				AC	DC					AC		DC		
											Forged brass	SS316		
3/8"	3	0.3	0	13	13	10	10	80	D	22	13	F	SLP1DF02N1C03	SLP1DF02N3C03
	3	0.3	0	13	13			130	D	22	13	F	SLP1DF02E1C03	SLP1DF02E3C03
	3	0.3	0	13	13	10	10	120	D	22	13	F	SLP1DF02V1C03	SLP1DF02V3C03
	4	0.6	0	8	8	6	6	80	D	22	13	F	SLP1DF02N1C04	SLP1DF02N3C04
	4	0.6	0	8	8			130	D	22	13	F	SLP1DF02E1C04	SLP1DF02E3C04
	4	0.6	0	8	8	6	6	120	D	22	13	F	SLP1DF02V1C04	SLP1DF02V3C04

N.W:0.34kg

External Dimensions:



Sanlixin Solenoid Valve

SLP compact series 2/2-way solenoid valve

Solenoid Valves Numbering System for Order

Position description	1	2	3	4	5	6	7	8	9	10
	Valve Series	Mode of Operation	Coil Type	Coil Class	Voltage	Seal Material	Body Material	Pipe Size	Orifice (mm)	Options
E.G.	SLP	1	D	F	02	N	1	E	20	<input type="checkbox"/>
	SLP Series	1: Normally Closed 2: Normally Open	D: DIN Standard Connections, Fully Encapsulated N: Lead Wires, Water-tight, Fully Encapsulated U= Under water X: Explosion-proof S: NASS Coil M: SM Coil	F:F Class H:H Class	02= AC220V AC230V 01= AC110V AC120V 05= AC24V 12= DC12V 13= DC24V Contact the Factory for Others	N: NBR V: VITON E: EPDM	1=Forged Brass 4= SS304 3= Ss316 7= Plastic 9=Forged Brass 4=SS304 5=Stainless steel	A=1/8" B=1/4" B=1/4" C=3/8" C=3/8" D=1/2" E=3/4" G=1" H=1 1/4" J=1 1/2" K=2" F= 法兰连接 A=1/8" B=1/4"	03=3.0 05=5.0 06=6.0 10=10.0 C9=10.5 03=3.0 04=4.0 05=5.0 06=6.0 10=10.0 C9=10.5 13=13.0 20=20.0 20=20.0 25=25.0 32=32.0 40=40.0 40=40.0 50=50.0 25=25.0 32=32.0 40=40.0 50=50.0 65=65.0 80=80.0 100=100.0 01=1.0 C2=1.5 C3=2.5 03=3.0 04=4.0	M= Manual Override L= Neon lamp K= Mounting Bracket N= NPT thread Y=Sensor

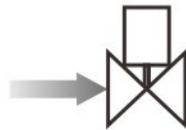


SLP compact series 2/2-way direct acting solenoid valve • normally closed

- 1:** 2-Way normally closed solenoid valve, Closed when de-energized, open when energized.
- 2:** Serialized products, small in size, large flow rate, widely use
- 3:** Body material: forged brass.316 stainless steel.
- 4:** Ambient Temp. 0°C~65°C, Fluids Temp 0°C~130°C
- 5:** Flow as the arrow, mounts in any position; Best position is solenoid vertical and upright direction.
- 6:** Voltage: 220VAC/230VAC/240VAC/110VAC/24VAC 50/60HZ 24VDC/12VDC; Voltage Tolerance: +10% to -10% applicable voltage
- 7:** This series valves are offered NBR、VITON、EPDM etc for Seals and diaphragm to provide on-off control of various fluids.
- 8:** Coil can fix SM Coil. AC 220V/AC110V/AC24V/DC24V
Ex-proof 3C certificate number: 2020312307000034

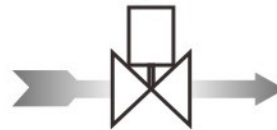
Normally closed

De-energized
Closed

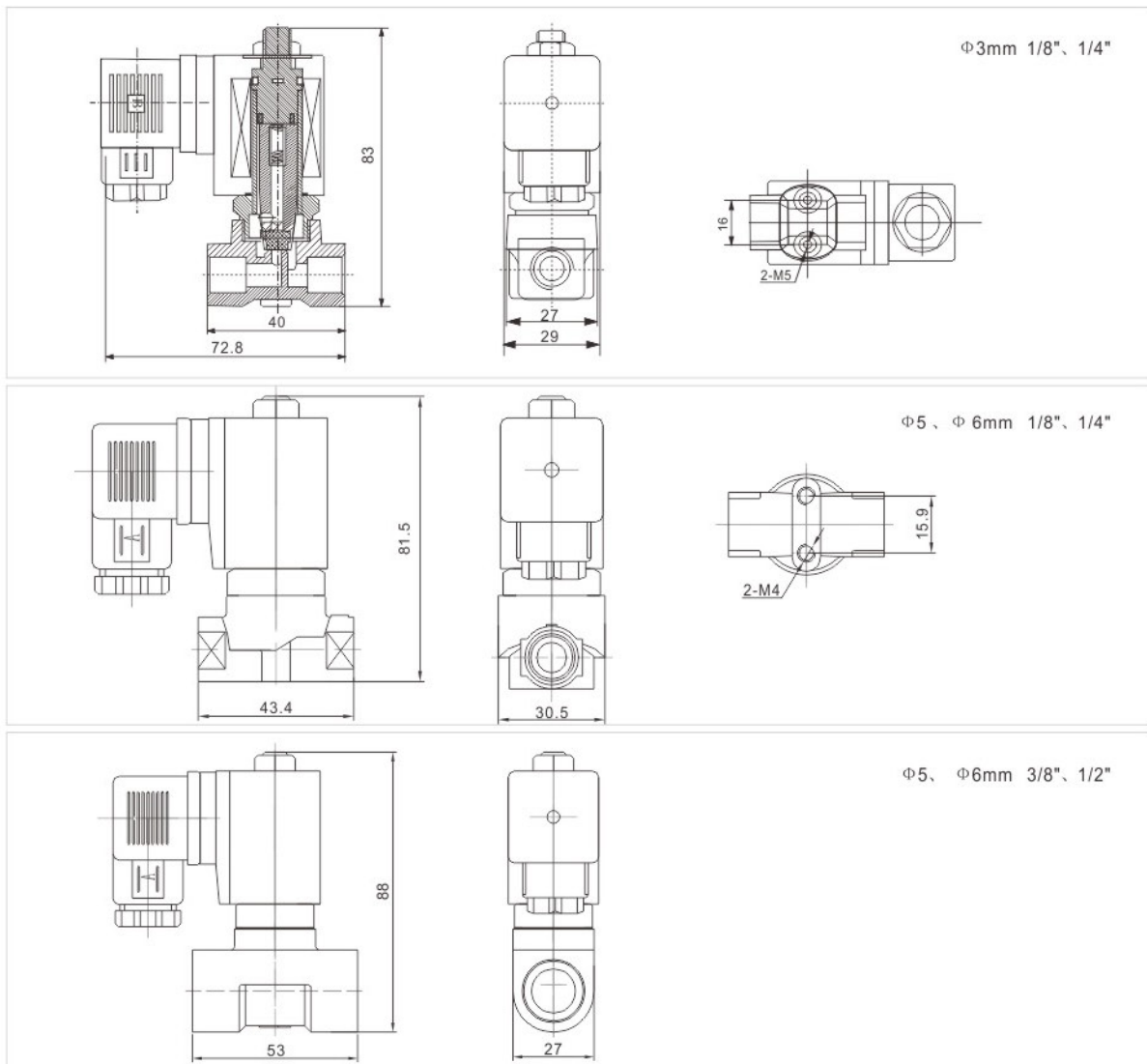


Energized

Open



Construction, External Dimensions Chart



Sanlixin Solenoid Valve

SLP compact series 2/2-way direct acting solenoid valve • normally closed



Valve Selection List

Pipe Conn- ection	Orifice mm	CV Factor	Operating pressure differential (kgf/cm ²)							Max. fluids Temp. °C	Coil Type	Power consumption		Coil Class	Model Code		Weight KG
			Min.	Max.								VA 220V	W 24V		Follows Voltage are 220VAC		
				Air Gas	Water Hot water Liquids		Light oil ≤ 20CST		Body material								
					AC	DC	AC	DC	AC						DC	Forgeda brass	
1/8"	3	0.23	0	13	13	13	13	10	10	80	D	22	13	F	SLP1DF02N1A03	SLP1DF02N3A03	0.37
	3	0.23	0	13	13	13	13			130	D	22	13	F	SLP1DF02E1A03	SLP1DF02E3A03	0.37
	3	0.23	0	13	13	13	13	10	10	120	D	22	13	F	SLP1DF02V1A03	SLP1DF02V3A03	0.37
	4	0.6	0	8	8	8	8	6	6	80	D	22	13	F	SLP1DF02N1A04	SLP1DF02N3A04	0.36
	4	0.6	0	8	8	8	8			130	D	22	13	F	SLP1DF02E1A04	SLP1DF02E3A04	0.36
	4	0.6	0	8	8	8	8	6	6	120	D	22	13	F	SLP1DF02V1A04	SLP1DF02V3A04	0.36
	5	0.65	0	4	2.5	4	2.5	2.5	2	80	D	22	13	F	SLP1DF02N1A05	SLP1DF02N3A05	0.36
	5	0.65	0	4	2.5	4	2.5			130	D	22	13	F	SLP1DF02E1A05	SLP1DF02E3A05	0.36
	5	0.65	0	4	2.5	4	2.5	2.5	2	120	D	22	13	F	SLP1DF02V1A05	SLP1DF02V3A05	0.36
	6	0.8	0	3	2	3	2	2.5	2	80	D	22	13	F	SLP1DF02N1A06	SLP1DF02N3A06	0.36
	6	0.8	0	3	2	3	2			130	D	22	13	F	SLP1DF02E1A06	SLP1DF02E3A06	0.36
	6	0.8	0	3	2	3	2	2.5	2	120	D	22	13	F	SLP1DF02V1A06	SLP1DF02V3A06	0.36



SLP compact series 2/2-way direct acting solenoid valve • normally closed

Valve Selection List

Pipe Conn- ection	Orifice mm	CV Factor	Operating pressure differential (kgf/cm ²)							Max. fluids Temp. °C	Coil Type	Power consumption		Coil Class	Model Code Follows Voltage are 220VAC		Weight KG
			Min.	Max.								AC 220V	DC 24V		Body material		
				Air Gas		Water Hot water Liquids		Light oil ≤ 20CST									
				AC	DC	AC	DC	AC	DC								
1/4"	3	0.23	0	13	13	13	13	10	10	80	D	22	13	F	SLP1DF02N1B03	SLP1DF02N3B03	0.36
	3	0.23	0	13	13	13	13			130	D	22	13	F	SLP1DF02E1B03	SLP1DF02E3B03	0.36
	3	0.23	0	13	13	13	13	10	10	120	D	22	13	F	SLP1DF02V1B03	SLP1DF02V3B03	0.36
	4	0.6	0	8	8	8	8	6	6	80	D	22	13	F	SLP1DF02N1A04	SLP1DF02N3B04	0.35
	4	0.6	0	8	8	8	8			130	D	22	13	F	SLP1DF02E1A04	SLP1DF02E3B04	0.35
	4	0.6	0	8	8	8	8	6	6	120	D	22	13	F	SLP1DF02V1A04	SLP1DF02V3B04	0.35
	5	0.65	0	4	2.5	4	2.5	2.5	2	80	D	22	13	F	SLP1DF02N1B05	SLP1DF02N3B05	0.35
	5	0.65	0	4	2.5	4	2.5			130	D	22	13	F	SLP1DF02E1B05	SLP1DF02E3B05	0.35
	5	0.65	0	4	2.5	4	2.5	2.5	2	120	D	22	13	F	SLP1DF02V1B05	SLP1DF02V3B05	0.35
	6	0.8	0	3	2	3	2	2.5	2	80	D	22	13	F	SLP1DF02N1B06	SLP1DF02N3B06	0.35
	6	0.8	0	3	2	3	2			130	D	22	13	F	SLP1DF02E1B06	SLP1DF02E3B06	0.35
6	0.8	0	3	2	3	2	2.5	2	120	D	22	13	F	SLP1DF02V1B06	SLP1DF02V3B06	0.35	
3/8"	5	0.65	0	4	2.5	4	2.5	2.5	2	80	D	22	13	F	SLP1DF02N1C05	SLP1DF02N3C05	0.46
	5	0.65	0	4	2.5	4	2.5			130	D	22	13	F	SLP1DF02E1C05	SLP1DF02E3C05	0.46
	5	0.65	0	4	2.5	4	2.5	2.5	2	120	D	22	13	F	SLP1DF02V1C05	SLP1DF02V3C05	0.46
	6	0.8	0	3	2	3	2	2.5	2	80	D	22	13	F	SLP1DF02N1C06	SLP1DF02N3C06	0.46
	6	0.8	0	3	2	3	2			130	D	22	13	F	SLP1DF02E1C06	SLP1DF02E3C06	0.46
	6	0.8	0	3	2	3	2	2.5	2	120	D	22	13	F	SLP1DF02V1C06	SLP1DF02V3C06	0.46
1/2"	5	0.65	0	4	2.5	4	2.5	2.5	2	80	D	22	13	F	SLP1DF02N1D05	SLP1DF02N3D05	0.43
	5	0.65	0	4	2.5	4	2.5			130	D	22	13	F	SLP1DF02E1D05	SLP1DF02E3D05	0.43
	5	0.65	0	4	2.5	4	2.5	2.5	2	120	D	22	13	F	SLP1DF02V1D05	SLP1DF02V3D05	0.43
	6	0.8	0	3	2	3	2	2.5	2	80	D	22	13	F	SLP1DF02N1D06	SLP1DF02N3D06	0.43
	6	0.8	0	3	2	3	2			130	D	22	13	F	SLP1DF02E1D06	SLP1DF02E3D06	0.43
	6	0.8	0	3	2	3	2	2.5	2	120	D	22	13	F	SLP1DF02V1D06	SLP1DF02V3D06	0.43

SLP compact series 2/2-way direct acting solenoid valve · normally open

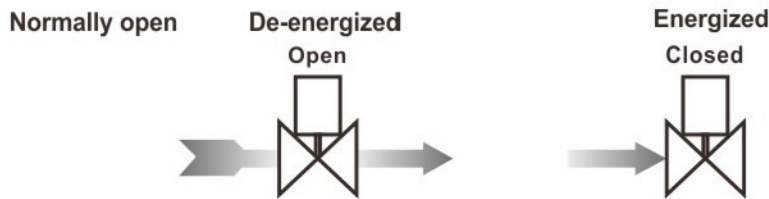
- 1: 2-Way normally open solenoid valve, Open when de-energized, Closed when energized.
- 2: Serialized products, small in size, large flow rate, widely use
- 3: Body material: forged brass.316 stainless steel.
- 4: Ambient Temp. 0°C~65°C, Fluids Temp 0°C~130°C.
- 5: Flow as the arrow, mounts in any position; Best position is solenoid vertical and upright direction.
- 6: Voltage: 220VAC/230VAC/240VAC/110VAC/24VAC 50/60HZ 24VDC/12VDC;
Voltage Tolerance: +10% to -10% applicable voltage can fix Nass coil
- 7: This series valves are offered NBR、VITON、EPDM etc
For Seals and diaphragm to provide on-off control of various fluids.



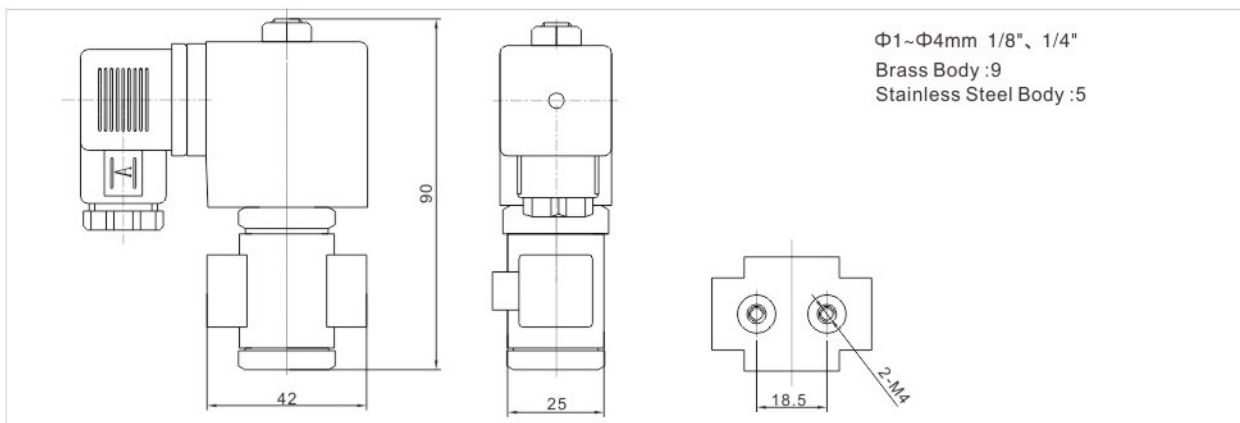
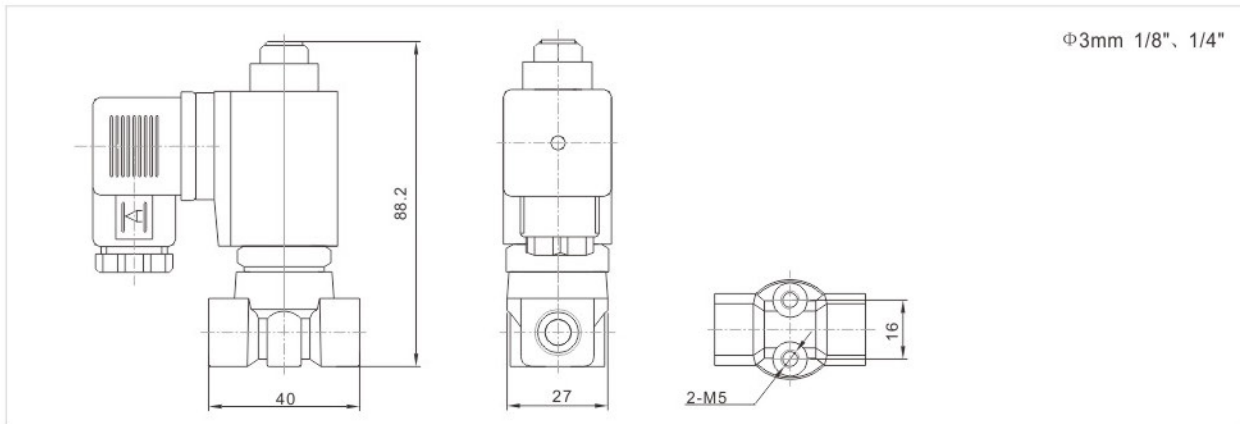
Body:9 & 5



Body:1 & 3



Construction, External Dimensions Chart



Sanlixin Solenoid Valve

SLP compact series 2/2-way direct acting solenoid valve • normally open

Valve Selection List

Pipe Conn- ection	Orifice mm	CV Factor	Operating pressure differential (kgf/cm ²)				Max. fluids Temp. °C	Coil Type	consumption		Coil Class	Model Code		Weight (KG)
			Min.	Max.					VA AC 220V	W DC 24V		Follows Voltage are 220VAC		
				Air Gas	Water Hot water Liquids	Light oil						Body material:		
												Forged brass	SS316	
1/8"	1	0.04	0	30	30	25	80	D	22	13	F	SLP2DF02N9A01	SLP2DF02N5A01	0.4
	1	0.04	0	30	30		130	D	22	13	F	SLP2DF02E9A01	SLP2DF02E5A01	0.4
	1	0.04	0	30	30	25	120	D	22	13	F	SLP2DF02V9A01	SLP2DF02V5A01	0.4
	1.5	0.09	0	20	20	15	80	D	22	13	F	SLP2DF02N9AC2	SLP2DF02N5AC2	0.4
	1.5	0.09	0	20	20		130	D	22	13	F	SLP2DF02E9AC2	SLP2DF02E5AC2	0.4
	1.5	0.09	0	20	20	15	120	D	22	13	F	SLP2DF02V9AC2	SLP2DF02V5AC2	0.4
	2.5	0.2	0	15	15	12	80	D	22	13	F	SLP2DF02N9AC3	SLP2DF02N5AC3	0.4
	2.5	0.2	0	15	15		130	D	22	13	F	SLP2DF02E9AC3	SLP2DF02E5AC3	0.4
	2.5	0.2	0	15	15	12	120	D	22	13	F	SLP2DF02V9AC3	SLP2DF02V5AC3	0.4
	3	0.25	0	12	12	10	80	D	22	13	F	SLP2DF02N9A03	SLP2DF02N5A03	0.4
	3	0.25	0	12	12		130	D	22	13	F	SLP2DF02E9A03	SLP2DF02E5A03	0.4
	3	0.25	0	12	12	10	120	D	22	13	F	SLP2DF02V9A03	SLP2DF02V5A03	0.4
	3	0.3	0	6	6	5	80	D	22	13	F	SLP2DF02N1A03	SLP2DF02N3A03	0.46
	3	0.3	0	6	6		130	D	22	13	F	SLP2DF02E1A03	SLP2DF02E3A03	0.46
	3	0.3	0	6	6	5	120	D	22	13	F	SLP2DF02V1A03	SLP2DF02V3A03	0.46
	4	0.4	0	5	5	4	80	D	22	13	F	SLP2DF02N9A04	SLP2DF02N5A04	0.39
4	0.4	0	5	5		130	D	22	13	F	SLP2DF02E9A04	SLP2DF02E5A04	0.39	
4	0.4	0	5	5	4	120	D	22	13	F	SLP2DF02V9A04	SLP2DF02V5A04	0.39	
1/4"	1	0.04	0	30	30	25	80	D	22	13	F	SLP2DF02N9B01	SLP2DF02N5B01	0.39
	1	0.04	0	30	30		130	D	22	13	F	SLP2DF02E9B01	SLP2DF02E5B01	0.39
	1	0.04	0	30	30	25	120	D	22	13	F	SLP2DF02V9B01	SLP2DF02V5B01	0.39
	1.5	0.09	0	20	20	15	80	D	22	13	F	SLP2DF02N9BC2	SLP2DF02N5BC2	0.39
	1.5	0.09	0	20	20		130	D	22	13	F	SLP2DF02E9BC2	SLP2DF02E5BC2	0.39
	1.5	0.09	0	20	20	15	120	D	22	13	F	SLP2DF02V9BC2	SLP2DF02V5BC2	0.39
	2.5	0.2	0	15	15	12	80	D	22	13	F	SLP2DF02N9BC3	SLP2DF02N5BC3	0.39
	2.5	0.2	0	15	15		130	D	22	13	F	SLP2DF02E9BC3	SLP2DF02E5BC3	0.39
	2.5	0.2	0	15	15	12	120	D	22	13	F	SLP2DF02V9BC3	SLP2DF02V5BC3	0.39
	3	0.25	0	12	12	10	80	D	22	13	F	SLP2DF02N9B03	SLP2DF02N5B03	0.39
	3	0.25	0	12	12		130	D	22	13	F	SLP2DF02E9B03	SLP2DF02E5B03	0.39
	3	0.25	0	12	12	10	120	D	22	13	F	SLP2DF02V9B03	SLP2DF02V5B03	0.39
	3	0.3	0	6	6	5	80	D	22	13	F	SLP2DF02N1B03	SLP2DF02N3B03	0.45
	3	0.3	0	6	6		130	D	22	13	F	SLP2DF02E1B03	SLP2DF02E3B03	0.45
	3	0.3	0	6	6	5	120	D	22	13	F	SLP2DF02V1B03	SLP2DF02V3B03	0.45
	4	0.4	0	5	5	4	80	D	22	13	F	SLP2DF02N9B04	SLP2DF02N5B04	0.38
4	0.4	0	5	5		130	D	22	13	F	SLP2DF02E9B04	SLP2DF02E5B04	0.38	
4	0.4	0	5	5	4	120	D	22	13	F	SLP2DF02V9B04	SLP2DF02V5B04	0.38	