



SLP series coil parameters tables

SLP Series Coils Characteristics List

| Coils Model Code | Voltage | Power consumption | | | | | Suitable Valve Model |
|----------------------|---------|-------------------|---------|---------|---------|-----------------------------------|---|
| | | 50HZ VA | | 60HZ VA | | DC | |
| | | Inrush | Holding | Inrush | Holding | W | |
| D04-3101 N04-3101 | AC220V | 55 | 22 | 55 | 18 | SLP Normally Closed Series | |
| D04-3102 N04-3102 | AC110V | 55 | 22 | 55 | 18 | | |
| D04-3104 N04-3104 | AC24V | 45 | 18 | 45 | 15 | | |
| D04-3106 N04-3106 | DC24V | ————— | | | | 13 | SLP micro Normally Open Series φ 1.5~3mm |
| D04-3107 N04-3107 | DC12V | ————— | | | | 13 | |
| D01-4101 N01-4101 | AC220V | 82 | 20 | 60 | 20 | SLP Normally Open Series | |
| D01-4102 N01-4102 | AC110V | 82 | 28 | 82 | 28 | | |
| D01-4106 N01-4106 | DC24V | ————— | | | | | 20 |
| D03-5107 N03-5107 | DC12V | ————— | | | | | 28.5 |
| D01-4101 | AC220V | 82 | 33 | 82 | 28 | φ 65~100mm SLP Normally Closed | |
| D01-4106 | DC24V | ————— | | | | | 20 |

SM Coil parameters tables

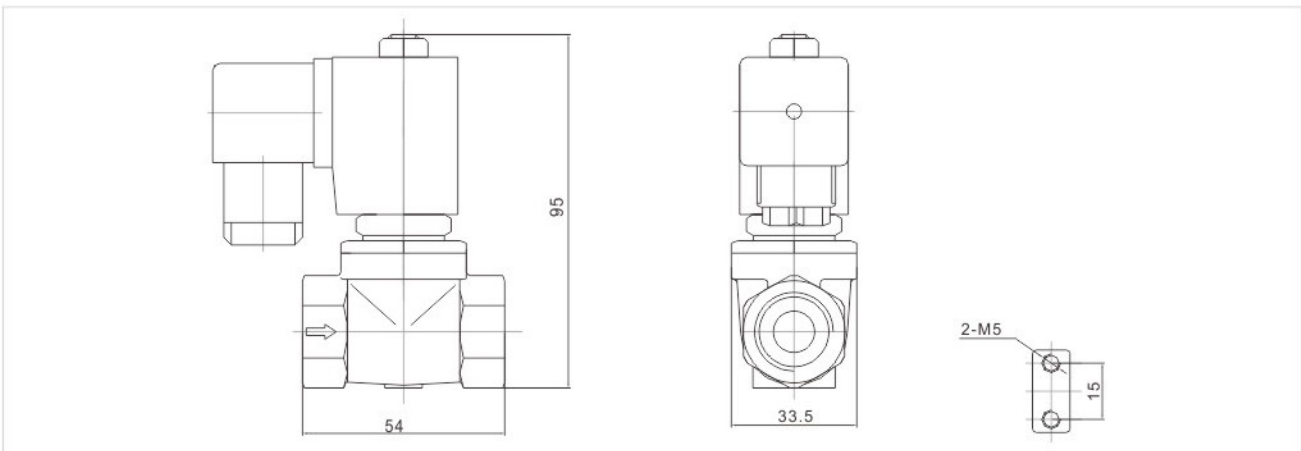
| Coils Model Code | Voltage | Power consumption | | Electricity | | The orifice for suitable Valve Model. (mm) | |
|------------------|---------|-------------------|---------|-------------|---------|--|---------------|
| | | Inrush | holding | Inrush | holding | Normally closed | Normally open |
| SM-3101 | AC220V | 78VA | 4.5VA | 350mA | 20mA | φ 3.0- φ 50 | ————— |
| SM-3102 | AC110V | 72VA | 5.0VA | 660mA | 45mA | | |
| SM-3106 | DC24V | 80W | 7.2W | 3300mA | 310mA | | |
| SM-3104 | AC24V | 52VA | 6.3VA | 2600mA | 320mA | | |
| SM-3107 | DC12V | 35W | 8.5W | 2900mA | 700mA | | |
| SM-4101 | AC220V | 130VA | 6.0VA | 590mA | 28mA | φ 65- φ 100 | ————— |
| SM-4102 | AC110V | 95VA | 8.0VA | 900mA | 75mA | | |
| SM-4106 | DC24V | 98W | 8.8W | 4050mA | 365mA | | |
| SM-4104 | AC24V | 66VA | 6.8VA | 3400mA | 360mA | | |
| SM-4107 | DC12V | 45W | 4.5W | 3750mA | 380mA | | |

SLP small series 2/2-way pilot operated solenoid valve · normally closed

- 1: 2-Way normally closed solenoid valve, Closed when de-energized, open when energized.
- 2: Serialized products, small in size, large flow rate, widely use
- 3: Body material: forged brass.Orifice: ϕ 10.5mm.
- 4: Ambient Temp. 0°C~65°C, Fluids Temp: 0°C~130°C .Max allowable pressure 17 bar.
- 5: Flow as the arrow, mounts in any position; Best position is solenoid vertical and upright direction.
- 6: Voltage: 220VAC/230VAC/240VAC/110VAC/24VAC 50/60HZ 24VDC/12VDC;
Voltage Tolerance: +10% to -10% applicable voltage
- 7: This series valves are offered NBR、VITON、EPDM etc
For Seals and diaphragm to provide on-off control of various fluids.
- 8: Coil can fix SM Coil. AC 220V/AC110V/AC24V/DC24V
Ex-proof 3C certificate number: 2020312307000034



Construction, External Dimensions Chart



Valve Selection List

| Pipe Conn- ection | Orifice mm | CV Factor | Operating pressure differential (kgf/cm ²) | | | | | | Max. Temp. °C | Coil Type | consumption | | Coil Class | Model Code Follows Voltage are 220VAC | Weight (KG) | |
|----------------------|---------------|--------------|---|------------|----|--------------------|----|-----------|---------------------|--------------|------------------|----------------|---------------|---|----------------|------|
| | | | Min. | Max. | | | | | | | VA AC 220V | W DC 24V | | | | |
| | | | | Air Gas | | Water Hot water | | Light oil | | | | | | | | |
| | | | | AC | DC | AC | DC | AC | | | | | | | | DC |
| 1/4" | 10.5 | 1.47 | 0.1 | 16 | 10 | 16 | 10 | 13 | 10 | 80 | D | 22 | 13 | F | SLP1DF02N1BC9 | 0.51 |
| | 10.5 | 1.47 | 0.1 | 16 | 10 | 16 | 10 | | | 130 | D | 22 | 13 | F | SLP1DF02E1BC9 | 0.51 |
| | 10.5 | 1.47 | 0.1 | 16 | 10 | 16 | 10 | 13 | 10 | 120 | D | 22 | 13 | F | SLP1DF02V1BC9 | 0.51 |
| 3/8" | 10.5 | 1.68 | 0.1 | 16 | 10 | 16 | 10 | 13 | 10 | 80 | D | 22 | 13 | F | SLP1DF02N1CC9 | 0.49 |
| | 10.5 | 1.68 | 0.1 | 16 | 10 | 16 | 10 | | | 130 | D | 22 | 13 | F | SLP1DF02E1CC9 | 0.49 |
| | 10.5 | 1.68 | 0.1 | 16 | 10 | 16 | 10 | 13 | 10 | 120 | D | 22 | 13 | F | SLP1DF02V1CC9 | 0.49 |
| 1/2" | 10.5 | 1.75 | 0.1 | 16 | 10 | 16 | 10 | 13 | 10 | 80 | D | 22 | 13 | F | SLP1DF02N1DC9 | 0.46 |
| | 10.5 | 1.75 | 0.1 | 16 | 10 | 16 | 10 | | | 130 | D | 22 | 13 | F | SLP1DF02E1DC9 | 0.46 |
| | 10.5 | 1.75 | 0.1 | 16 | 10 | 16 | 10 | 13 | 10 | 120 | D | 22 | 13 | F | SLP1DF02V1DC9 | 0.46 |

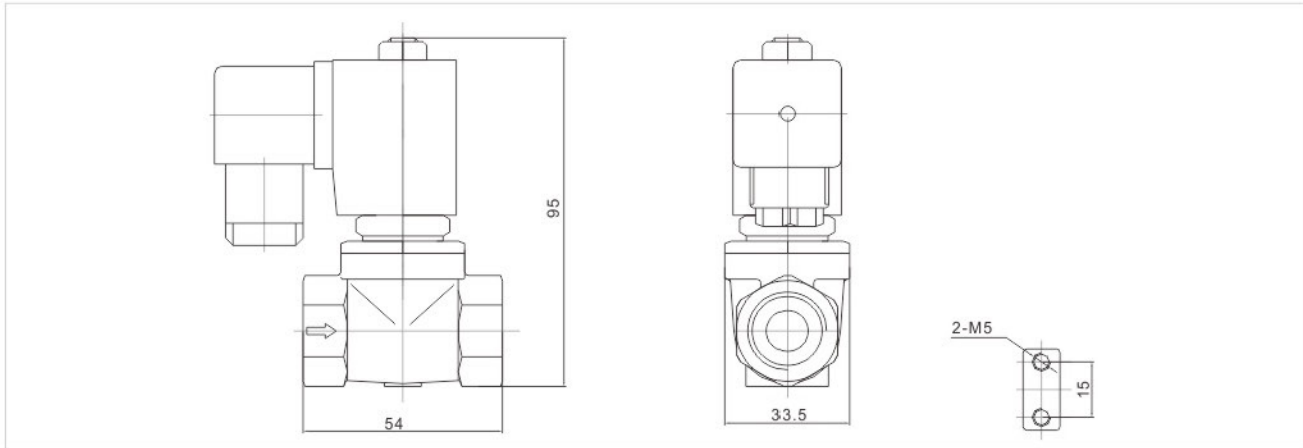
Sanlixin Solenoid Valve

SLP small series 2/2-way pilot operated solenoid valve · normally closed

1. 2-Way Normally closed solenoid valve, closed when de-energized, open when energized.
2. Serialized products, small in size, large flow rate, widely use
3. Body material: SS316 Orifice: $\Phi 9\text{mm}$
4. Ambient Temp $0^{\circ}\text{C}\sim 65^{\circ}\text{C}$ Fluids Temp.: $0^{\circ}\text{C}\sim 130^{\circ}\text{C}$
5. Flows as the arrow, mounts in any position; best position is solenoid valve vertical and upright direction.
6. Voltage: AC24V/110V/220V/230V/240V 50/60HZ DC24V/12V Voltage Tolerance: +10%~-10% applicable voltage
7. This series valves are offered NBR, VITON, EPDM Etc, For seals and diaphragm to provide on/off control of various fluids.
8. Coil can fix SM Coil. AC 220V/AC110V/AC24V/DC24V
Ex-proof 3C certificate number: 2020312307000034



Construction, External Dimensions Chart



Valve Selection List

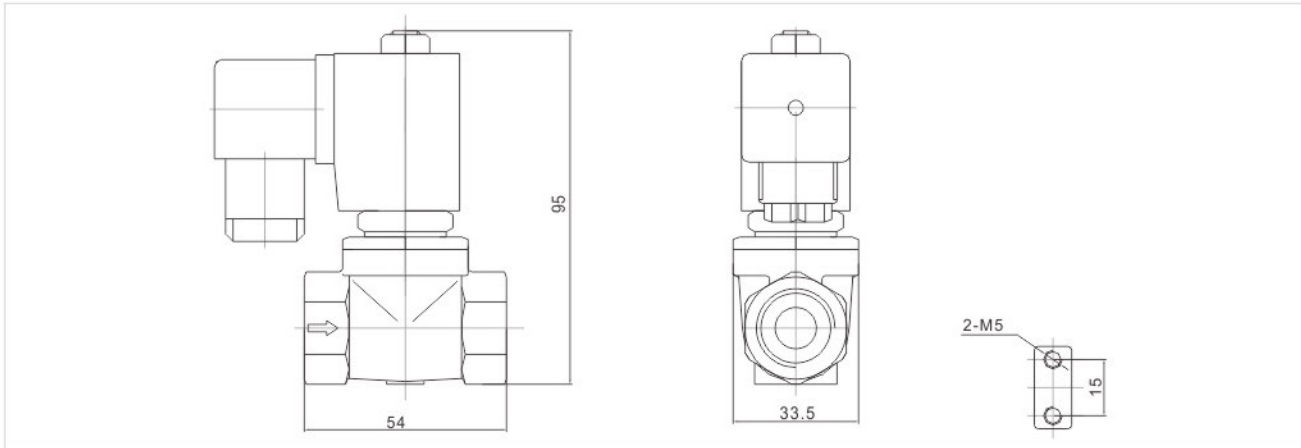
| Pipe Connection | Orifice mm | CV Factor | Operating pressure differential (kgf/cm ²) | | | | | | Max. Temp. °C | Coil Type | consumption | | Coil Class | Model Code Follows Voltage are 220VAC | Weight (KG) | |
|-----------------|---------------|--------------|--|---------|----|-----------------|----|-----------|------------------|-----------|---------------|-------------|------------|---|---------------|------|
| | | | Min. | Max. | | | | | | | VA AC 220V | W DC 24V | | | | |
| | | | | Air Gas | | Water Hot water | | Light oil | | | | | | | | |
| | | | | AC | DC | AC | DC | AC | | | | | | | | DC |
| 1/4" | 9 | 1.2 | 0.1 | 16 | 10 | 16 | 10 | 13 | 10 | 80 | D | 22 | 13 | F | SLP1DF02N3BC9 | 0.51 |
| | 9 | 1.2 | 0.1 | 16 | 10 | 16 | 10 | | | 130 | D | 22 | 13 | F | SLP1DF02E3BC9 | 0.51 |
| | 9 | 1.2 | 0.1 | 16 | 10 | 16 | 10 | 13 | 10 | 120 | D | 22 | 13 | F | SLP1DF02V3BC9 | 0.51 |
| 3/8" | 9 | 1.2 | 0.1 | 16 | 10 | 16 | 10 | 13 | 10 | 80 | D | 22 | 13 | F | SLP1DF02N3CC9 | 0.49 |
| | 9 | 1.2 | 0.1 | 16 | 10 | 16 | 10 | | | 130 | D | 22 | 13 | F | SLP1DF02E3CC9 | 0.49 |
| | 9 | 1.2 | 0.1 | 16 | 10 | 16 | 10 | 13 | 10 | 120 | D | 22 | 13 | F | SLP1DF02V3CC9 | 0.49 |
| 1/2" | 9 | 1.2 | 0.1 | 16 | 10 | 16 | 10 | 13 | 10 | 80 | D | 22 | 13 | F | SLP1DF02N3DC9 | 0.46 |
| | 9 | 1.2 | 0.1 | 16 | 10 | 16 | 10 | | | 130 | D | 22 | 13 | F | SLP1DF02E3DC9 | 0.46 |
| | 9 | 1.2 | 0.1 | 16 | 10 | 16 | 10 | 13 | 10 | 120 | D | 22 | 13 | F | SLP1DF02V3DC9 | 0.46 |

SLP small series 2/2-way direct acting solenoid valve · normally closed

- 1: 2-Way normally closed solenoid valve, Closed when de-energized, open when energized.
- 2: Serialized products, small in size, large flow rate, widely use
- 3: Body material: forged brass. Orifice: ϕ 10.5mm.
- 4: Ambient Temp. 0°C~65°C, Fluids Temp: 0°C~130°C .
- 5: Flow as the arrow, mounts in any position; Best position is solenoid vertical and upright direction.
- 6: Voltage: 220VAC/230VAC/240VAC/110VAC/24VAC 50/60HZ 24VDC/12VDC; Voltage Tolerance: +10% to -10% applicable voltage
- 7: This series valves are offered NBR、VITON、EPDM etc For Seals and diaphragm to provide on-off control of various fluids.
- 8: Coil can fix SM Coil. AC 220V/AC110V/AC24V/DC24V Ex-proof 3C certificate number: 2020312307000034



Construction, External Dimensions Chart



Valve Selection List

| Pipe Connection | Orifice mm | CV Factor | Operating pressure differential (kgf/cm ²) | | | | | | Max. Temp. °C | Coil Type | consumption | | Coil Class | Model Code Follows Voltage are 220VAC | Weight (KG) | |
|-----------------|------------|-----------|---|---------|----|-----------------|----|-----------|---------------|-----------|-------------|----|------------|---------------------------------------|---------------|------|
| | | | Min. | Max. | | | | | | | VA | W | | | | |
| | | | | Air Gas | | Water Hot water | | Light oil | | | | | | | | |
| | | | | AC | DC | AC | DC | AC | | | | | | | | DC |
| 1/4" | 10.5 | 1.47 | 0 | 16 | 10 | 16 | 10 | 13 | 10 | 80 | D | 22 | 13 | F | SLP1DF02N1B10 | 0.51 |
| | 10.5 | 1.47 | 0 | 16 | 10 | 16 | 10 | | | 130 | D | 22 | 13 | F | SLP1DF02E1B10 | 0.51 |
| | 10.5 | 1.47 | 0 | 16 | 10 | 16 | 10 | 13 | 10 | 120 | D | 22 | 13 | F | SLP1DF02V1B10 | 0.51 |
| 3/8" | 10.5 | 1.68 | 0 | 16 | 10 | 16 | 10 | 13 | 10 | 80 | D | 22 | 13 | F | SLP1DF02N1C10 | 0.49 |
| | 10.5 | 1.68 | 0 | 16 | 10 | 16 | 10 | | | 130 | D | 22 | 13 | F | SLP1DF02E1C10 | 0.49 |
| | 10.5 | 1.68 | 0 | 16 | 10 | 16 | 10 | 13 | 10 | 120 | D | 22 | 13 | F | SLP1DF02V1C10 | 0.49 |
| 1/2" | 10.5 | 1.75 | 0 | 16 | 10 | 16 | 10 | 13 | 10 | 80 | D | 22 | 13 | F | SLP1DF02N1D10 | 0.46 |
| | 10.5 | 1.75 | 0 | 16 | 10 | 16 | 10 | | | 130 | D | 22 | 13 | F | SLP1DF02E1D10 | 0.46 |
| | 10.5 | 1.75 | 0 | 16 | 10 | 16 | 10 | 13 | 10 | 120 | D | 22 | 13 | F | SLP1DF02V1D10 | 0.46 |

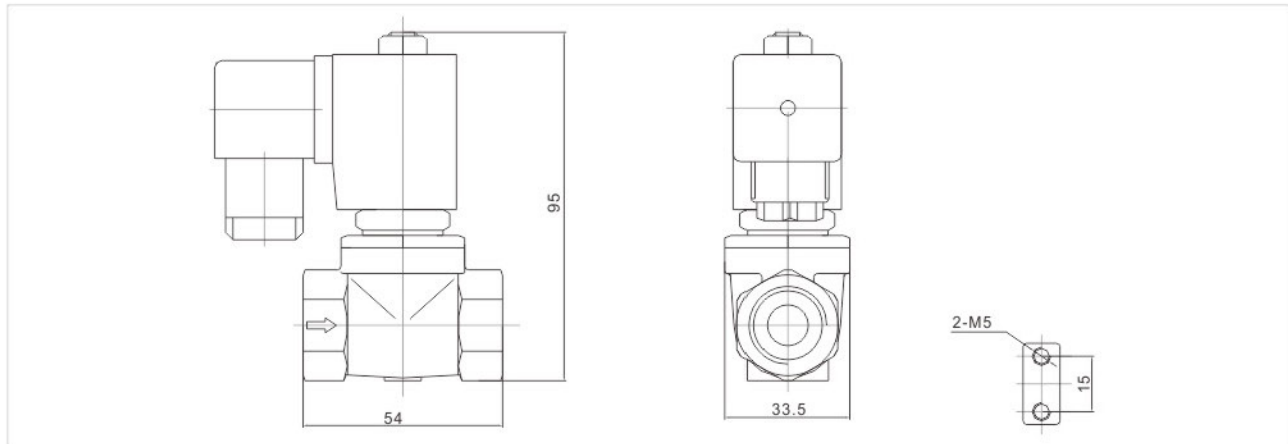
Sanlixin Solenoid Valve

SLP small series 2/2-way direct acting solenoid valve · normally closed

1. 2-Way Normally closed solenoid valve, closed when de-energized, open when energized.
2. Serialized products, small in size, large flow rate, widely use
3. Body material: SS316 Orifice: $\Phi 9\text{mm}$
4. Ambient Temp $0^{\circ}\text{C}\sim 65^{\circ}\text{C}$ Fluids Temp.: $0^{\circ}\text{C}\sim 130^{\circ}\text{C}$
5. Flows as the arrow, mounts in any position; best position is solenoid valve vertical and upright direction.
6. Voltage: AC24V/110V/220V/230V/240V 50/60HZ
DC24V/12V Voltage Tolerance: $+10\%\sim -10\%$ applicable voltage
7. This series valves are offered NBR, VITON, EPDM Etc, For seals and diaphragm to provide on/off control of various fluids.
8. Coil can fix SM Coil. AC 220V/AC110V/AC24V/DC24V
Ex-proof 3C certificate number: 2020312307000034



Construction & External Dimensions Chart



Valve Selection List

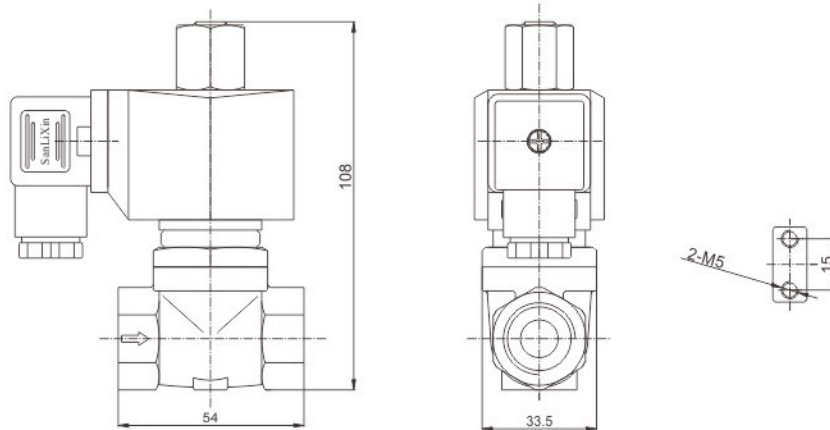
| Pipe Conn- ection | Orifice mm | CV Factor | Operating pressure differential (kgf/cm ²) | | | | | | | Max. Temp. °C | Coil Type | consumption | | Coil Class | Model Code Follows Voltage 220VAC | Weight (KG) |
|----------------------|---------------|--------------|---|------------|----|--------------------|----|-----------|----|---------------------|--------------|------------------|----------------|---------------|---|----------------|
| | | | Min. | Max. | | | | | | | | VA AC 220V | W DC 24V | | | |
| | | | | Air Gas | | Water Hot water | | Light oil | | | | | | | | |
| | | | | AC | DC | AC | DC | AC | DC | | | | | | | |
| 1/4" | 9 | 1.2 | 0 | 16 | 10 | 16 | 10 | 13 | 10 | 80 | D | 22 | 13 | F | SLP1DF02N3B10 | 0.51 |
| | 9 | 1.2 | 0 | 16 | 10 | 16 | 10 | | | 130 | D | 22 | 13 | F | SLP1DF02E3B10 | 0.51 |
| | 9 | 1.2 | 0 | 16 | 10 | 16 | 10 | 13 | 10 | 120 | D | 22 | 13 | F | SLP1DF02V3B10 | 0.51 |
| 3/8" | 9 | 1.2 | 0 | 16 | 10 | 16 | 10 | 13 | 10 | 80 | D | 22 | 13 | F | SLP1DF02N3C10 | 0.49 |
| | 9 | 1.2 | 0 | 16 | 10 | 16 | 10 | | | 130 | D | 22 | 13 | F | SLP1DF02E3C10 | 0.49 |
| | 9 | 1.2 | 0 | 16 | 10 | 16 | 10 | 13 | 10 | 120 | D | 22 | 13 | F | SLP1DF02V3C10 | 0.49 |
| 1/2" | 9 | 1.2 | 0 | 16 | 10 | 16 | 10 | 13 | 10 | 80 | D | 22 | 13 | F | SLP1DF02N3D10 | 0.46 |
| | 9 | 1.2 | 0 | 16 | 10 | 16 | 10 | | | 130 | D | 22 | 13 | F | SLP1DF02E3D10 | 0.46 |
| | 9 | 1.2 | 0 | 16 | 10 | 16 | 10 | 13 | 10 | 120 | D | 22 | 13 | F | SLP1DF02V3D10 | 0.46 |

SLP small series 2/2-way pilot operated solenoid valve · normally open

- 1: 2-Way normally open solenoid valve, Open when de-energized, closed when energized.
- 2: Serialized products, small in size, large flow rate, widely use
- 3: Body material: forged brass. Orifice: ϕ 10.5mm.
- 4: Ambient Temp. 0°C~65°C, Fluids Temp: 0°C~130°C .
- 5: Flow as the arrow, mounts in any position; Best position is solenoid vertical and upright direction.
- 6: Voltage: 220VAC/230VAC/240VAC/110VAC/24VAC 50/60HZ 24VDC/12VDC;
Voltage Tolerance: +10% to -10% applicable voltage
- 7: This series valves are offered NBR、VITON、EPDM etc
For Seals and diaphragm to provide on-off control of various fluids.



Construction, External Dimensions Chart



Valve Selection List

| Pipe Conn-ection | Orifice mm | CV Factor | Operating pressure differential (bar) | | | Max. Temp. °C | Coil Type | consumption | | Coil Class | Model Code Follows Voltage 220VAC | Weight KG | |
|------------------|---------------|--------------|---------------------------------------|------------|--------------------|---------------------|--------------|------------------|----------------|---------------|---|---------------|---------------------|
| | | | Min. | Max. | | | | VA AC 220V | W DC 24V | | | | |
| | | | | Air Gas | Water Hot water | | | | | | | | Light oil ≤20CST |
| 1/4" | 10.5 | 1.47 | 0.1 | 13 | 13 | 8 | 80 | D | 20 | 20 | F | SLP2DF02N1BC9 | 0.66 |
| | 10.5 | 1.47 | 0.1 | 13 | 13 | 8 | 130 | D | 20 | 20 | F | SLP2DF02E1BC9 | 0.66 |
| | 10.5 | 1.47 | 0.1 | 13 | 13 | 8 | 120 | D | 20 | 20 | F | SLP2DF02V1BC9 | 0.66 |
| 3/8" | 10.5 | 1.68 | 0.1 | 13 | 13 | 8 | 80 | D | 20 | 20 | F | SLP2DF02N1CC9 | 0.64 |
| | 10.5 | 1.68 | 0.1 | 13 | 13 | 8 | 130 | D | 20 | 20 | F | SLP2DF02E1CC9 | 0.64 |
| | 10.5 | 1.68 | 0.1 | 13 | 13 | 8 | 120 | D | 20 | 20 | F | SLP2DF02V1CC9 | 0.64 |
| 1/2" | 10.5 | 1.75 | 0.1 | 13 | 13 | 8 | 80 | D | 20 | 20 | F | SLP2DF02N1DC9 | 0.61 |
| | 10.5 | 1.75 | 0.1 | 13 | 13 | 8 | 130 | D | 20 | 20 | F | SLP2DF02E1DC9 | 0.61 |
| | 10.5 | 1.75 | 0.1 | 13 | 13 | 8 | 120 | D | 20 | 20 | F | SLP2DF02V1DC9 | 0.61 |

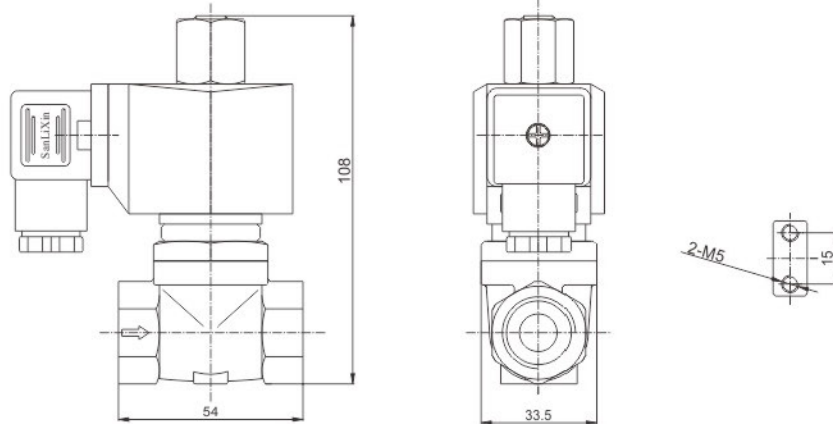
Sanlixin Solenoid Valve

SLP small series 2/2-way pilot operated solenoid valve · normally open

- 1: 2-Way normally open solenoid valve, Open when de-energized, closed when energized.
- 2: Serialized products, small in size, large flow rate, widely use
- 3: Body material: SS316. Orifice: ϕ 9mm.
- 4: Ambient Temp. 0°C~65°C
- 5: Flow as the arrow, mounts in any position; Best position is solenoid vertical and upright direction.
- 6: Voltage: 220VAC/230VAC/240VAC/110VAC/24VAC 50/60HZ 24VDC/12VDC;
Voltage Tolerance: +10% to -10% applicable voltage
- 7: This series valves are offered NBR、VITON、EPDM etc
For Seals and diaphragm to provide on-off control of various fluids.



Construction, External Dimensions Chart



型号规格表

| Pipe Conn- ection | Orifice mm | CV Factor | Operating pressure differential (bar) | | | | Max. Temp. °C | Coil Type | consumption | | Coil Class | Model Code Follows Voltage 220VAC | Weight KG |
|-------------------------|---------------|--------------|---------------------------------------|------------|--------------------|---------------------|---------------------|--------------|------------------|----------------|---------------|---|--------------|
| | | | Min. | Max. | | | | | VA AC 220V | W DC 24V | | | |
| | | | | Air Gas | Water Hot water | Light oil ≤20CST | | | | | | | |
| | | | | | | | | | | | | | |
| 1/4" | 9 | 1.2 | 0.1 | 13 | 13 | 8 | 80 | D | 20 | 20 | F | SLP2DF02N3BC9 | 0.66 |
| | 9 | 1.2 | 0.1 | 13 | 13 | | 130 | D | 20 | 20 | F | SLP2DF02E3BC9 | 0.66 |
| | 9 | 1.2 | 0.1 | 13 | 13 | 8 | 120 | D | 20 | 20 | F | SLP2DF02V3BC9 | 0.66 |
| 3/8" | 9 | 1.2 | 0.1 | 13 | 13 | 8 | 80 | D | 20 | 20 | F | SLP2DF02N3CC9 | 0.64 |
| | 9 | 1.2 | 0.1 | 13 | 13 | | 130 | D | 20 | 20 | F | SLP2DF02E3CC9 | 0.64 |
| | 9 | 1.2 | 0.1 | 13 | 13 | 8 | 120 | D | 20 | 20 | F | SLP2DF02V3CC9 | 0.64 |
| 1/2" | 9 | 1.2 | 0.1 | 13 | 13 | 8 | 80 | D | 20 | 20 | F | SLP2DF02N3DC9 | 0.61 |
| | 9 | 1.2 | 0.1 | 13 | 13 | | 130 | D | 20 | 20 | F | SLP2DF02E3DC9 | 0.61 |
| | 9 | 1.2 | 0.1 | 13 | 13 | 8 | 120 | D | 20 | 20 | F | SLP2DF02V3DC9 | 0.61 |

SLP 2/2-way large diameter pilot operated solenoid valve · normally closed

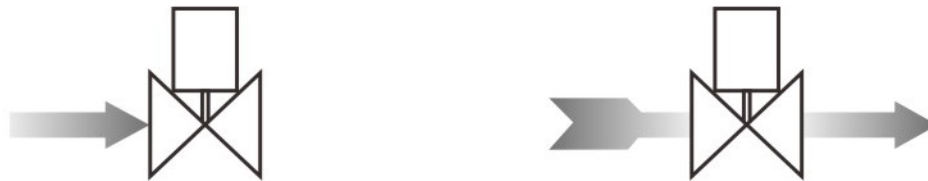
- 1:** 2-Way normally closed solenoid valve, Closed when de-energized, open when energized.
- 2:** Serialized products, small in size, large flow rate, widely use
- 3:** Body material: forged brass.Orifice: ϕ 13~15mm.
- 4:** Ambient Temp. 0°C~65°C, Fluids Temp: 0°C~130°C, Max allowable pressure 20 bar.
- 5:** Flow as the arrow, mounts in any position; Best position is solenoid vertical and upright direction.
- 6:** Voltage: 220VAC/230VAC/240VAC/110VAC/24VAC 50/60HZ 24VDC/12VDC;
Voltage Tolerance: +10% to -10% applicable voltage
- 7:** This series valves are offered NBR、VITON、EPDM etc
For Seals and diaphragm to provide on-off control of various fluids.
- 8:** Can fix explosion-proof coil
- 9:** Coil can fix SM Coil. AC 220V/AC110V/AC24V/DC24V
Ex-proof 3C certificate number: 2020312307000034



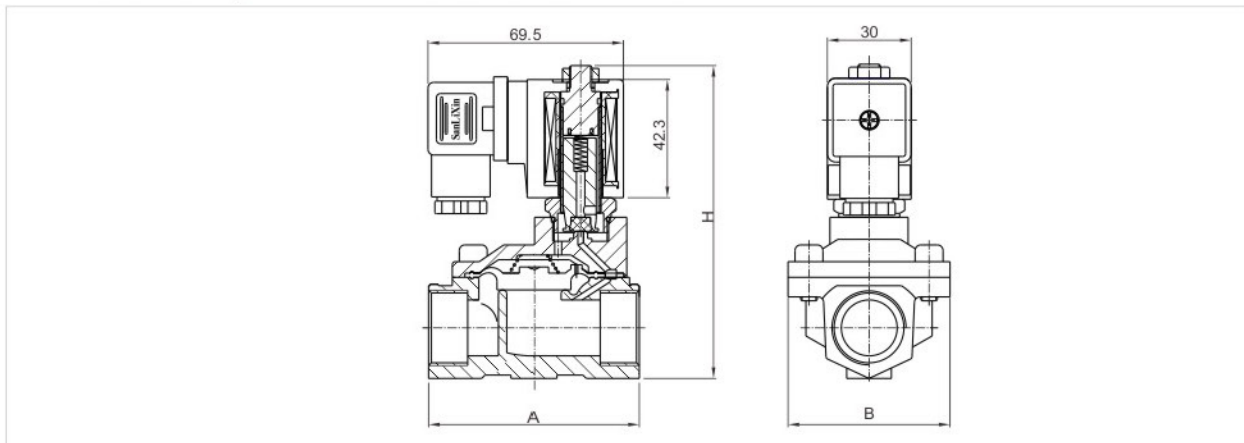
Normally closed

De-energized
Closed

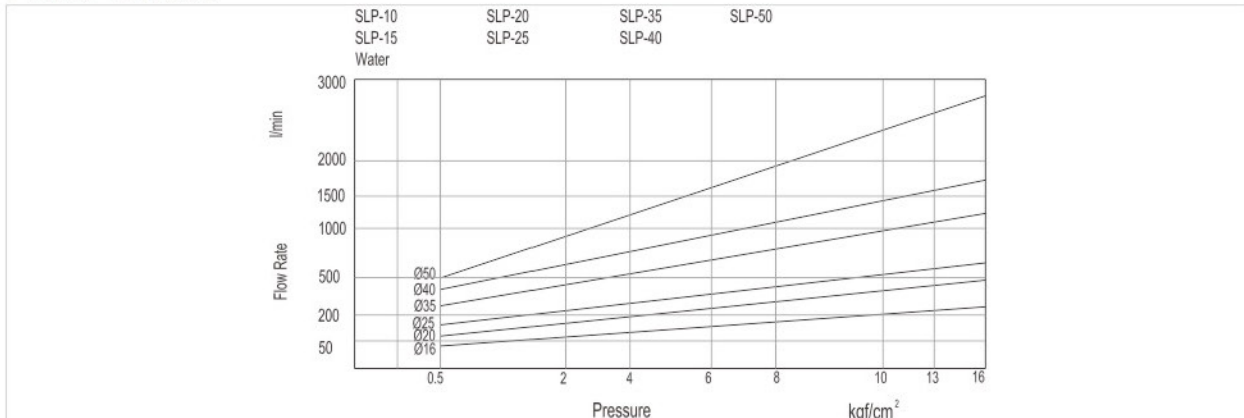
Energized
Open



Construction, External Dimensions Chart



Flow Chart



Sanlixin Solenoid Valve

SLP 2/2-way large diameter pilot operated solenoid valve • normally closed

Valve Selection List

| Pipe Conn-ection | Orifice mm | CV Factor | Operating pressure differential (kgf/cm ²) | | | | Max. Fluids Temp. | Coil Type | Power consumption | | | Coil Class | External Dimensions Length x Width x Height A x B x H | Model Code Follows Voltage are 220VAC 50/60HZ | Weight (KG) |
|------------------|------------|-----------|---|---------|-------------------------|------------------|-------------------|-----------|-------------------|-----------|---|-------------|---|---|-------------|
| | | | Min. | Max. | | | | | VA AC 220 V | W DC 24 V | | | | | |
| | | | | Air Gas | Water Hot water Liquids | Light oil ≤20CST | | | | | | | | | |
| 3/8" | 13 | 4.5 | 0.5 | 16 | 16 | 13 | 80 | D | 22 | 13 | F | 66×48×107 | SLP1DF02N1C13 | 0.8 | |
| | 13 | 4.5 | 0.5 | 16 | 16 | | 130 | D | 22 | 13 | F | 66×48×107 | SLP1DF02E1C13 | 0.8 | |
| | 13 | 4.5 | 0.5 | 16 | 16 | 13 | 120 | D | 22 | 13 | F | 66×48×107 | SLP1DF02V1C13 | 0.8 | |
| 1/2" | 13 | 4.5 | 0.5 | 16 | 16 | 13 | 80 | D | 22 | 13 | F | 66×48×107 | SLP1DF02N1D13 | 0.7 | |
| | 13 | 4.5 | 0.5 | 16 | 16 | | 130 | D | 22 | 13 | F | 66×48×107 | SLP1DF02E1D13 | 0.7 | |
| | 13 | 4.5 | 0.5 | 16 | 16 | 13 | 120 | D | 22 | 13 | F | 66×48×107 | SLP1DF02V1D13 | 0.7 | |
| 3/4" | 20 | 7.6 | 0.5 | 16 | 16 | 13 | 80 | D | 22 | 13 | F | 75×58×112 | SLP1DF02N1E20 | 0.9 | |
| | 20 | 7.6 | 0.5 | 16 | 16 | | 130 | D | 22 | 13 | F | 75×58×112 | SLP1DF02E1E20 | 0.9 | |
| | 20 | 7.6 | 0.5 | 16 | 16 | 13 | 120 | D | 22 | 13 | F | 75×58×112 | SLP1DF02V1E20 | 0.9 | |
| 1" | 20 | 7.6 | 0.5 | 16 | 16 | 13 | 80 | D | 22 | 13 | F | 81×58×119 | SLP1DF02N1G20 | 1.1 | |
| | 20 | 7.6 | 0.5 | 16 | 16 | | 130 | D | 22 | 13 | F | 81×58×119 | SLP1DF02E1G20 | 1.1 | |
| | 20 | 7.6 | 0.5 | 16 | 16 | 13 | 120 | D | 22 | 13 | F | 81×58×119 | SLP1DF02V1G20 | 1.1 | |
| | 25 | 12 | 0.5 | 16 | 16 | 13 | 80 | D | 22 | 13 | F | 96×70×131 | SLP1DF02N1G25 | 1.4 | |
| | 25 | 12 | 0.5 | 16 | 16 | | 130 | D | 22 | 13 | F | 96×70×131 | SLP1DF02E1G25 | 1.4 | |
| | 25 | 12 | 0.5 | 16 | 16 | 13 | 120 | D | 22 | 13 | F | 96×70×131 | SLP1DF02V1G25 | 1.4 | |
| 1 1/4" | 35 | 22 | 0.5 | 16 | 16 | 13 | 80 | D | 22 | 13 | F | 131×96×146 | SLP1DF02N1H35 | 2.8 | |
| | 35 | 22 | 0.5 | 16 | 16 | | 130 | D | 22 | 13 | F | 131×96×146 | SLP1DF02E1H35 | 2.8 | |
| | 35 | 22 | 0.5 | 16 | 16 | 13 | 120 | D | 22 | 13 | F | 131×96×146 | SLP1DF02V1H35 | 2.8 | |
| 1 1/2" | 40 | 30 | 0.5 | 16 | 16 | 13 | 80 | D | 22 | 13 | F | 131×96×146 | SLP1DF02N1J40 | 2.7 | |
| | 40 | 30 | 0.5 | 16 | 16 | | 130 | D | 22 | 13 | F | 131×96×146 | SLP1DF02E1J40 | 2.7 | |
| | 40 | 30 | 0.5 | 16 | 16 | 13 | 120 | D | 22 | 13 | F | 131×96×146 | SLP1DF02V1J40 | 2.7 | |
| 2" | 40 | 30 | 0.5 | 16 | 16 | 13 | 80 | D | 22 | 13 | F | 131×96×152 | SLP1DF02N1K40 | 3.1 | |
| | 40 | 30 | 0.5 | 16 | 16 | | 130 | D | 22 | 13 | F | 131×96×152 | SLP1DF02E1K40 | 3.1 | |
| | 40 | 30 | 0.5 | 16 | 16 | 13 | 120 | D | 22 | 13 | F | 131×96×152 | SLP1DF02V1K40 | 3.1 | |
| | 50 | 48 | 0.5 | 16 | 16 | 13 | 80 | D | 22 | 13 | F | 165×120×167 | SLP1DF02N1K50 | 4 | |
| | 50 | 48 | 0.5 | 16 | 16 | | 130 | D | 22 | 13 | F | 165×120×167 | SLP1DF02E1K50 | 4 | |
| | 50 | 48 | 0.5 | 16 | 16 | 13 | 120 | D | 22 | 13 | F | 165×120×167 | SLP1DF02V1K50 | 4 | |



SLP 2/2-way large diameter pilot operated solenoid valve · normally closed

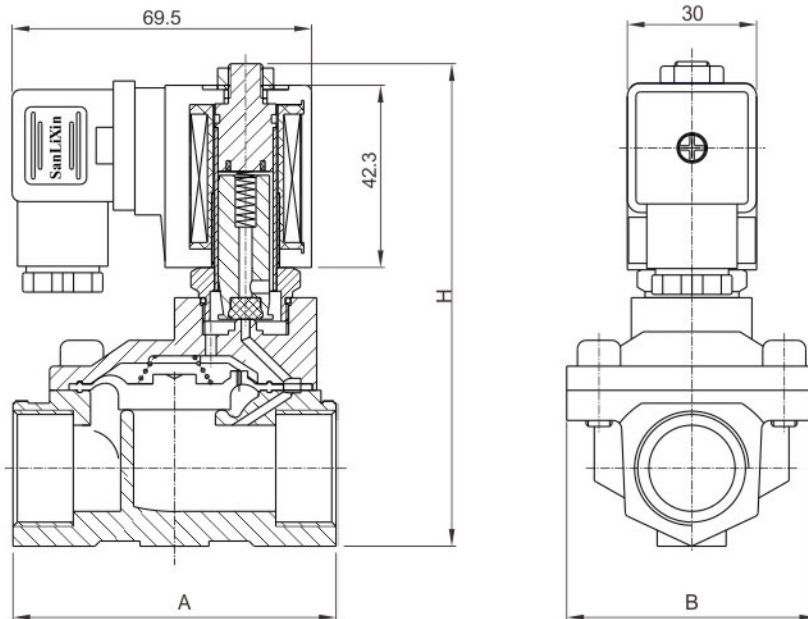
- 1:** 2-Way normally closed solenoid valve, Closed when de-energized, open when energized.
- 2:** Body material: 316 stainless steel
- 3:** Max. Allowable pressure 20kgf/cm²; Ambient Temp. 0°C~65°C
- 4:** Serialized products, small in size, large flow rate, widely use
- 5:** Flow as the arrow, mounts in any position; Best position is Solenoid vertical and upright direction.
- 6:** Voltage: 220VAC/230VAC/240VAC/110VAC/24VAC 50/60HZ 24VDC/12VDC;
Voltage Tolerance: +10% to -10% applicable voltage
- 7:** Coil can fix Germany Nass Coil, for orifice under DN25 only.
- 8:** This series valves are offered NBR、VITON、EPDM etc for Seals and diaphragm to provide on-off control of various fluids.
- 9:** Coil can fix SM Coil. AC 220V/AC110V/AC24V/DC24V



Normally closed



Construction, External Dimensions Chart



Sanlixin Solenoid Valve

SLP 2/2-way large diameter pilot operated solenoid valve • normally closed

Valve Selection List

| Pipe Conn- ection | Orifice mm | CV Factor | Operating pressure differential (kgf/cm ²) | | | | Max. Fluids Temp. | Coil Type | Power consumption | | Coil Class | External Dimensions Length x Width x Height A x B x H | Model Code Follows Voltage are 220VAC 50/60HZ | Weight (KG) |
|----------------------|---------------|--------------|--|------------|-------------------------------|---------------------|-------------------------|--------------|----------------------|--------------------|---------------|---|---|----------------|
| | | | Min. | Max. | | | | | VA AC 220 V | W DC 24 V | | | | |
| | | | | Air Gas | Water Hot water Liquids | Light oil ≤20CST | | | | | | | | |
| 3/8" | 13 | 4.5 | 0.5 | 16 | 16 | 13 | 80 | D | 22 | 13 | F | 66×48×107 | SLP1DF02N3C13 | 0.75 |
| | 13 | 4.5 | 0.5 | 16 | 16 | | 130 | D | 22 | 13 | F | 66×48×107 | SLP1DF02E3C13 | 0.75 |
| | 13 | 4.5 | 0.5 | 16 | 16 | 13 | 120 | D | 22 | 13 | F | 66×48×107 | SLP1DF02V3C13 | 0.75 |
| 1/2" | 13 | 4.5 | 0.5 | 16 | 16 | 13 | 80 | D | 22 | 13 | F | 66×48×107 | SLP1DF02N3D13 | 0.7 |
| | 13 | 4.5 | 0.5 | 16 | 16 | | 130 | D | 22 | 13 | F | 66×48×107 | SLP1DF02E3D13 | 0.7 |
| | 13 | 4.5 | 0.5 | 16 | 16 | 13 | 120 | D | 22 | 13 | F | 66×48×107 | SLP1DF02V3D13 | 0.7 |
| 3/4" | 20 | 7.6 | 0.5 | 16 | 16 | 13 | 80 | D | 22 | 13 | F | 75×58×112 | SLP1DF02N3E20 | 0.9 |
| | 20 | 7.6 | 0.5 | 16 | 16 | | 130 | D | 22 | 13 | F | 75×58×112 | SLP1DF02E3E20 | 0.9 |
| | 20 | 7.6 | 0.5 | 16 | 16 | 13 | 120 | D | 22 | 13 | F | 75×58×112 | SLP1DF02V3E20 | 0.9 |
| 1" | 20 | 7.6 | 0.5 | 16 | 16 | 13 | 80 | D | 22 | 13 | F | 81×58×119 | SLP1DF02N3G20 | 1.0 |
| | 20 | 7.6 | 0.5 | 16 | 16 | | 130 | D | 22 | 13 | F | 81×58×119 | SLP1DF02E3G20 | 1.0 |
| | 20 | 7.6 | 0.5 | 16 | 16 | 13 | 120 | D | 22 | 13 | F | 81×58×119 | SLP1DF02N3G20 | 1.0 |
| | 25 | 12 | 0.5 | 16 | 16 | 13 | 80 | D | 22 | 13 | F | 96×70×131 | SLP1DF02V3G25 | 1.3 |
| | 25 | 12 | 0.5 | 16 | 16 | | 130 | D | 22 | 13 | F | 96×70×131 | SLP1DF02E3G25 | 1.3 |
| | 25 | 12 | 0.5 | 16 | 16 | 13 | 120 | D | 22 | 13 | F | 96×70×131 | SLP1DF02V3G25 | 1.3 |
| 1 1/4" | 35 | 22 | 0.5 | 16 | 16 | 13 | 80 | D | 22 | 13 | F | 131×96×146 | SLP1DF02N3H35 | 2.6 |
| | 35 | 22 | 0.5 | 16 | 16 | | 130 | D | 22 | 13 | F | 131×96×146 | SLP1DF02E3H35 | 2.6 |
| | 35 | 22 | 0.5 | 16 | 16 | 13 | 120 | D | 22 | 13 | F | 131×96×146 | SLP1DF02V3H35 | 2.6 |
| 1 1/2" | 40 | 30 | 0.5 | 16 | 16 | 13 | 80 | D | 22 | 13 | F | 131×96×146 | SLP1DF02N3J40 | 2.5 |
| | 40 | 30 | 0.5 | 16 | 16 | | 130 | D | 22 | 13 | F | 131×96×146 | SLP1DF02E3J40 | 2.5 |
| | 40 | 30 | 0.5 | 16 | 16 | 13 | 120 | D | 22 | 13 | F | 131×96×146 | SLP1DF02V3J40 | 2.5 |
| 2" | 40 | 30 | 0.5 | 16 | 16 | 13 | 80 | D | 22 | 13 | F | 136×96×152 | SLP1DF02N3K40 | 2.7 |
| | 40 | 30 | 0.5 | 16 | 16 | | 130 | D | 22 | 13 | F | 136×96×152 | SLP1DF02E3K40 | 2.7 |
| | 40 | 30 | 0.5 | 16 | 16 | 13 | 120 | D | 22 | 13 | F | 136×96×152 | SLP1DF02V3K40 | 2.7 |
| | 50 | 48 | 0.5 | 16 | 16 | 13 | 80 | D | 22 | 13 | F | 165×120×167 | SLP1DF02N3K50 | 4.4 |
| | 50 | 48 | 0.5 | 16 | 16 | | 130 | D | 22 | 13 | F | 165×120×167 | SLP1DF02E3K50 | 4.4 |
| | 50 | 48 | 0.5 | 16 | 16 | 13 | 120 | D | 22 | 13 | F | 165×120×167 | SLP1DF02V3K50 | 4.4 |

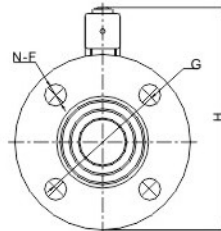
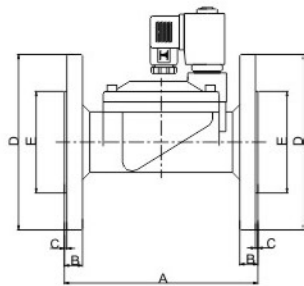


SLP 2/2-way large diameter pilot operated solenoid valve · normally closed

Valve Selection List (Flange Connection)

| Orifice mm | CV Factor | Operating pressure differential (kgf/cm ²) | | | | | | | | Max. Fluids Temp. | Coil F class Type | Power consumption | | Model Code Follows Voltage are 220VAC 50/60HZ | Weight (KG) |
|---------------|--------------|---|------------|----|-------------------------------|----|-----------|----|----------------------|-------------------------|----------------------------|--------------------|----------------|---|--------------------|
| | | Min. | Max. | | | | | | VA AC 220 V | | | W DC 24 V | | | |
| | | | Air Gas | | Water Hot water Liquids | | Light oil | | | | | | | | |
| | | | AC | DC | AC | DC | AC | DC | | | | | | | |
| 25 | 12 | 0.5 | 16 | 16 | 16 | 16 | 13 | 13 | 80 | D | 22 | 13 | SLP1DF02N3F25 | 2.7 | |
| 25 | 12 | 0.5 | 16 | 16 | 16 | 16 | | | 120 | D | 22 | 13 | SLP1DF02E3F25 | 2.7 | |
| 25 | 12 | 0.5 | 16 | 16 | 16 | 16 | 13 | 13 | 120 | D | 22 | 13 | SLP1DF02V3F25 | 2.7 | |
| 35 | 22 | 0.5 | 16 | 16 | 16 | 16 | 13 | 13 | 80 | D | 22 | 13 | SLP1DF02N3F35 | 5 | |
| 35 | 22 | 0.5 | 16 | 16 | 16 | 16 | | | 120 | D | 22 | 13 | SLP1DF02E3F35 | 5 | |
| 35 | 22 | 0.5 | 16 | 16 | 16 | 16 | 13 | 13 | 120 | D | 22 | 13 | SLP1DF02V3F35 | 5 | |
| 40 | 30 | 0.5 | 16 | 16 | 16 | 16 | 13 | 13 | 80 | D | 22 | 13 | SLP1DF02N3F40 | 5.3 | |
| 40 | 30 | 0.5 | 16 | 16 | 16 | 16 | | | 120 | D | 22 | 13 | SLP1DF02E3F40 | 5.3 | |
| 40 | 30 | 0.5 | 16 | 16 | 16 | 16 | 13 | 13 | 120 | D | 22 | 13 | SLP1DF02V3F40 | 5.3 | |
| 50 | 48 | 0.5 | 16 | 16 | 16 | 16 | 13 | 13 | 80 | D | 22 | 13 | SLP1DF02N3F50 | 7.9 | |
| 50 | 48 | 0.5 | 16 | 16 | 16 | 16 | | | 120 | D | 22 | 13 | SLP1DF02E3F50 | 7.9 | |
| 50 | 48 | 0.5 | 16 | 16 | 16 | 16 | 13 | 13 | 120 | D | 22 | 13 | SLP1DF02V3F50 | 7.9 | |
| 65 | 52 | 1 | 12 | 10 | 12 | 10 | 8 | 6 | 80 | D | 33 | 20 | SLP1DF02N4F65 | 13.5 | |
| 65 | 52 | 1 | 12 | 10 | 12 | 10 | | | 120 | D | 33 | 20 | SLP1DF02E4F65 | 13.5 | |
| 65 | 52 | 1 | 12 | 10 | 12 | 10 | 8 | 6 | 120 | D | 33 | 20 | SLP1DF02V4F65 | 13.5 | |
| 80 | 80 | 1 | 12 | 10 | 12 | 10 | 8 | 6 | 80 | D | 33 | 20 | SLP1DF02N4F80 | 15.6 | |
| 80 | 80 | 1 | 12 | 10 | 12 | 10 | | | 120 | D | 33 | 20 | SLP1DF02E4F80 | 15.6 | |
| 80 | 80 | 1 | 12 | 10 | 12 | 10 | 8 | 6 | 120 | D | 33 | 20 | SLP1DF02V4F80 | 15.6 | |
| 100 | 128 | 1 | 12 | 10 | 12 | 10 | 8 | 6 | 80 | D | 33 | 20 | SLP1DF02N4F100 | 22 | |
| 100 | 128 | 1 | 12 | 10 | 12 | 10 | | | 120 | D | 33 | 20 | SLP1DF02E4F100 | 22 | |
| 100 | 128 | 1 | 12 | 10 | 12 | 10 | 8 | 6 | 120 | D | 33 | 20 | SLP1DF02V4F100 | 22 | |

External Dimensions Chart

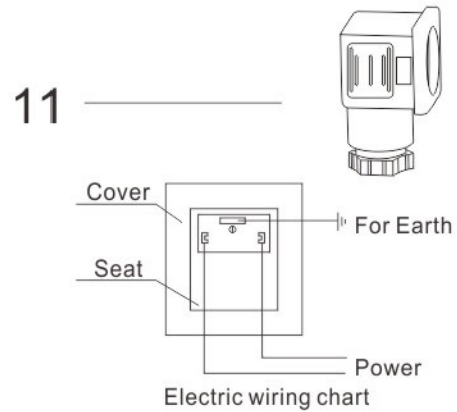
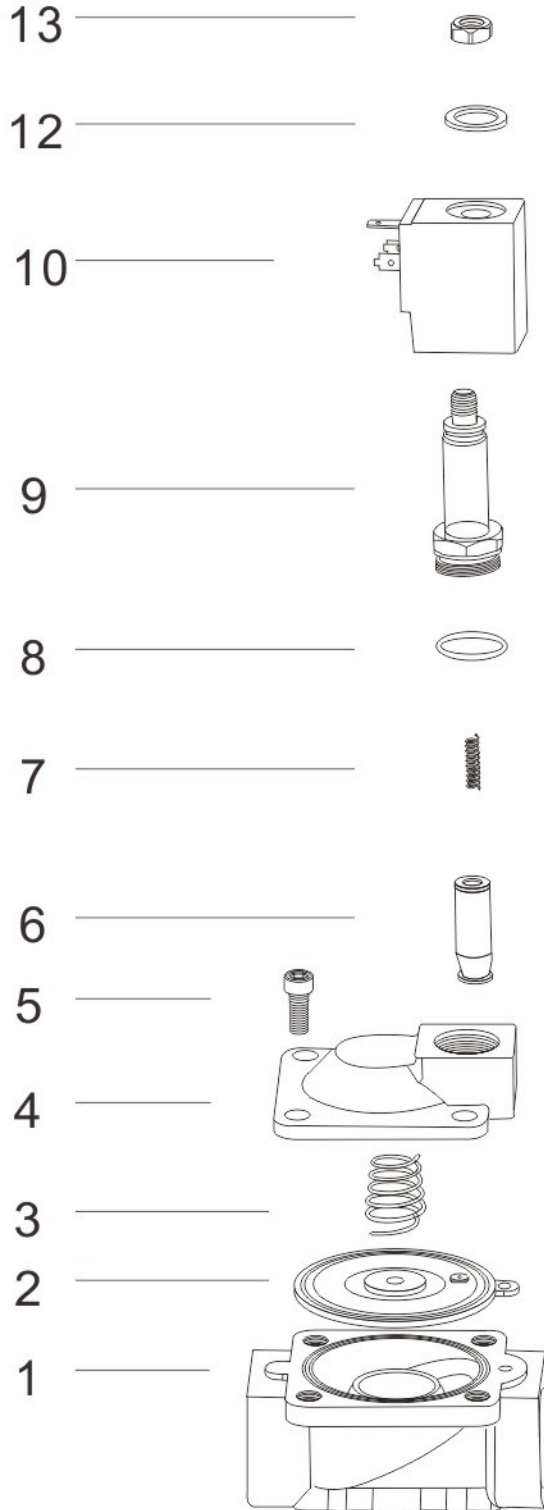


| | A | B | C | ΦD | ΦE | N-ΦF | ΦG | H |
|-------|-----|----|---|-----|-----|------|-----|-----|
| DN25 | 134 | 13 | 2 | 110 | 58 | 4-14 | 85 | 160 |
| DN32 | 160 | 15 | 2 | 135 | 74 | 4-18 | 100 | 175 |
| DN40 | 160 | 15 | 2 | 145 | 84 | 4-18 | 110 | 180 |
| DN50 | 200 | 16 | 2 | 160 | 88 | 4-18 | 125 | 207 |
| DN65 | 250 | 19 | 3 | 185 | 118 | 4-18 | 145 | 250 |
| DN80 | 270 | 19 | 3 | 202 | 134 | 4-18 | 160 | 262 |
| DN100 | 340 | 21 | 3 | 220 | 162 | 8-18 | 180 | 287 |

Sanlixin Solenoid Valve

SLP 2/2-way large diameter pilot operated solenoid valve • normally closed

Components Chart



| Code | Components |
|------|-----------------------------|
| 01 | Valve Body |
| 02 | Diaphragm |
| 03 | Diaphragm Spring |
| 04 | Valve Cover |
| 05 | Bolts |
| 06 | Plunger Assembly |
| 07 | Plunger Spring |
| 08 | O Ring $\phi 18 \times 1.5$ |
| 09 | Plunger Tube Assembly |
| 10 | Coil |
| 11 | Plug |
| 12 | Gasket |
| 13 | Locknut |

SLP plastic series 2/2-way pilot operated solenoid valve · normally closed

- 1: 2-Way normally closed solenoid valve, Closed when de-energized, open when energized.
- 2: Body material: Nylon
- 3: Max. Allowable pressure 13kgf/cm²; Ambient Temp. 0°C~65°C
- 4: Serialized products, small in size, large flow rate, widely use
- 5: Flow as the arrow, mounts in any position; Best position is Solenoid vertical and upright direction.
- 6: Voltage: 220VAC/230VAC/240VAC/110VAC/24VAC 50/60HZ 24VDC/12VDC;
Voltage Tolerance: +10% to -10% applicable voltage
- 7: This series valves are offered NBR、VITON、EPDM etc
for Seals and diaphragm to provide on-off control of various fluids.
- 8: Coil can fix SM Coil. AC 220V/AC110V/AC24V/DC24V



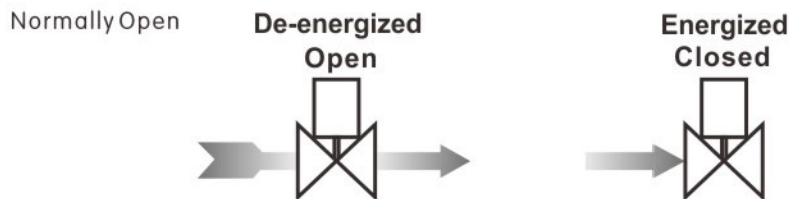
Valve Selection List

| Pipe Conn- ection | Orifice mm | CV Factor | Min. | Operating pressure differential (kgf/cm ²) Max. | | | Max. Fluids Temp. | Coil Type | Power consumption | | Coil Class | External Dimensions Length xWidth x Height A x B x H | Model Code Follows Voltage Are 220VAC 50/60HZ | Weight (KG) |
|-------------------------|-------------------|--------------|------|--|-------------------------------|-------------------------|-------------------------|--------------|----------------------|---------|---------------|--|---|--------------------|
| | | | | Air Gas | Water Hot water Liquids | Light oil ≤ 20CST | | | VA | W | | | | |
| | | | | | | | | | 220 V | 24 V | | | | |
| 3/8" | 13 | 4.5 | 0.5 | 10 | 10 | 6 | 80 | D | 22 | 13 | F | 76×52×112 | SLP1DF02N7C13 | 0.38 |
| | 13 | 4.5 | 0.5 | 10 | 10 | | 80 | D | 22 | 13 | F | 76×52×112 | SLP1DF02E7C13 | 0.38 |
| | 13 | 4.5 | 0.5 | 10 | 10 | 6 | 80 | D | 22 | 13 | F | 76×52×112 | SLP1DF02V7C13 | 0.38 |
| 1/2" | 13 | 4.5 | 0.5 | 10 | 10 | 6 | 80 | D | 22 | 13 | F | 76×52×112 | SLP1DF02N7D13 | 0.37 |
| | 13 | 4.5 | 0.5 | 10 | 10 | | 80 | D | 22 | 13 | F | 76×52×112 | SLP1DF02E7D13 | 0.37 |
| | 13 | 4.5 | 0.5 | 10 | 10 | 6 | 80 | D | 22 | 13 | F | 76×52×112 | SLP1DF02V7D13 | 0.37 |
| 3/4" | 20 | 7.6 | 0.5 | 10 | 10 | 6 | 80 | D | 22 | 13 | F | 90×71×116 | SLP1DF02N7E20 | 0.43 |
| | 20 | 7.6 | 0.5 | 10 | 10 | | 80 | D | 22 | 13 | F | 90×71×116 | SLP1DF02E7E20 | 0.43 |
| | 20 | 7.6 | 0.5 | 10 | 10 | 6 | 80 | D | 22 | 13 | F | 90×71×116 | SLP1DF02V7E20 | 0.43 |
| 1" | 25 | 12 | 0.5 | 10 | 10 | 6 | 80 | D | 22 | 13 | F | 111×91×123 | SLP1DF02N7G25 | 0.49 |
| | 25 | 12 | 0.5 | 10 | 10 | | 80 | D | 22 | 13 | F | 111×91×123 | SLP1DF02E7G25 | 0.49 |
| | 25 | 12 | 0.5 | 10 | 10 | 6 | 80 | D | 22 | 13 | F | 111×91×123 | SLP1DF02V7G25 | 0.49 |
| 1 1/4" | 35 | 22 | 0.5 | 10 | 10 | 6 | 80 | D | 22 | 13 | F | 158×115×141 | SLP1DF02N7H35 | 0.85 |
| | 35 | 22 | 0.5 | 10 | 10 | | 80 | D | 22 | 13 | F | 158×115×141 | SLP1DF02E7H35 | 0.85 |
| | 35 | 22 | 0.5 | 10 | 10 | 6 | 80 | D | 22 | 13 | F | 158×115×141 | SLP1DF02V7H35 | 0.85 |
| 1 1/2" | 40 | 30 | 0.5 | 10 | 10 | 6 | 80 | D | 22 | 13 | F | 158×115×141 | SLP1DF02N7J40 | 0.78 |
| | 40 | 30 | 0.5 | 10 | 10 | | 80 | D | 22 | 13 | F | 158×115×141 | SLP1DF02E7J40 | 0.78 |
| | 40 | 30 | 0.5 | 10 | 10 | 6 | 80 | D | 22 | 13 | F | 158×115×141 | SLP1DF02V7J40 | 0.78 |

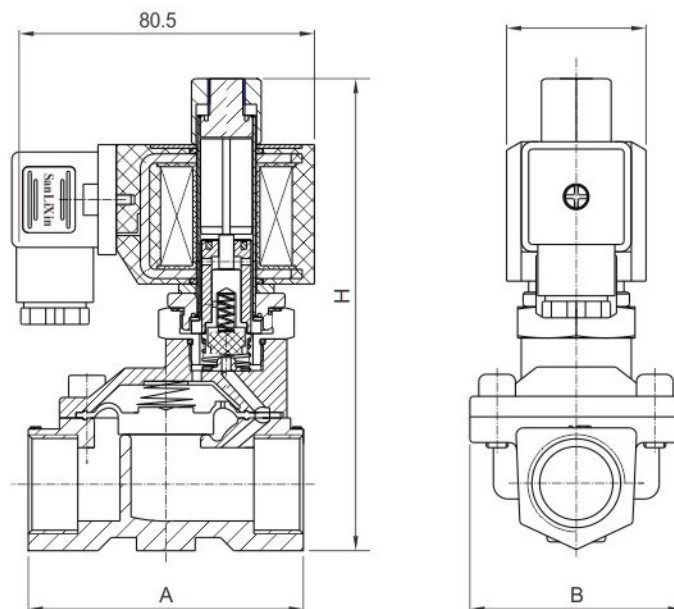
Sanlixin Solenoid Valve

SLP 2/2-way large diameter pilot operated solenoid valve · normally open

- 1:** 2-Way normally open solenoid valve;
Open when de-energized, closed when energized.
- 2:** Body material: brass
- 3:** Max. Allowable pressure 16kgf/cm²; Ambient Temp. 0°C~65°C
- 4:** Serialized products, small in size, large flow rate, widely use.
- 5:** Flow as the arrow, mounts in any position; Best position is Solenoid vertical and upright direction.
- 6:** Voltage: 220VAC/230VAC/240VAC/110VAC/24VAC 50/60HZ 24VDC/12VDC;
Voltage Tolerance: +10% to -10% applicable voltage.
- 7:** This series valves are offered NBR, VITON, EPDM etc for
Seals and diaphragm to provide on-off control of various fluids.



Construction, External Dimensions Chart





SLP 2/2-way large diameter pilot operated solenoid valve • normally open

Valve Selection List

| Pipe Conn- ection | Orifice mm | CV Factor | Operating pressure differential (kgf/cm ²) | | | | Max. Fluids Temp. | Coil Type | Power consumption | | Coil Class | External Dimensions Length x Width x Height A x B x H | Model Code Follows Voltage are 220VAC 50/60HZ | Weight (KG) |
|----------------------|---------------|--------------|--|------------|-------------------------------|-------------------------|-------------------------|--------------|----------------------|--------------------|---------------|---|---|----------------|
| | | | Min. | Max. | | | | | VA AC 220 V | W DC 24 V | | | | |
| | | | | Air Gas | Water Hot water Liquids | Light oil ≤ 20CST | | | | | | | | |
| 3/8" | 13 | 4.5 | 0.5 | 13 | 13 | 8 | 80 | D | 20 | 20 | F | 66×48×124 | SLP2DF02N1C13 | 0.9 |
| | 13 | 4.5 | 0.5 | 13 | 13 | | 120 | D | 20 | 20 | F | 66×48×124 | SLP2DF02E1C13 | 0.9 |
| | 13 | 4.5 | 0.5 | 13 | 13 | 8 | 120 | D | 20 | 20 | F | 66×48×124 | SLP2DF02V1C13 | 0.9 |
| 1/2" | 13 | 4.5 | 0.5 | 13 | 13 | 8 | 80 | D | 20 | 20 | F | 66×48×124 | SLP2DF02N1D13 | 0.9 |
| | 13 | 4.5 | 0.5 | 13 | 13 | | 120 | D | 20 | 20 | F | 66×48×124 | SLP2DF02E1D13 | 0.9 |
| | 13 | 4.5 | 0.5 | 13 | 13 | 8 | 120 | D | 20 | 20 | F | 66×48×124 | SLP2DF02V1D13 | 0.9 |
| 3/4" | 20 | 7.6 | 0.5 | 13 | 13 | 8 | 80 | D | 20 | 20 | F | 75×58×130 | SLP2DF02N1E20 | 1.1 |
| | 20 | 7.6 | 0.5 | 13 | 13 | | 120 | D | 20 | 20 | F | 75×58×130 | SLP2DF02E1E20 | 1.1 |
| | 20 | 7.6 | 0.5 | 13 | 13 | 8 | 120 | D | 20 | 20 | F | 75×58×130 | SLP2DF02V1E20 | 1.1 |
| 1" | 20 | 7.6 | 0.5 | 13 | 13 | 8 | 80 | D | 20 | 20 | F | 81×58×136 | SLP2DF02N1G20 | 1.3 |
| | 20 | 7.6 | 0.5 | 13 | 13 | 8 | 120 | D | 20 | 20 | F | 81×58×136 | SLP2DF02E1G20 | 1.3 |
| | 20 | 7.6 | 0.5 | 13 | 13 | 8 | 120 | D | 20 | 20 | F | 81×58×136 | SLP2DF02V1G20 | 1.3 |
| | 25 | 12 | 0.5 | 13 | 13 | 8 | 80 | D | 20 | 20 | F | 96×70×143 | SLP2DF02N1G25 | 1.6 |
| | 25 | 12 | 0.5 | 13 | 13 | | 120 | D | 20 | 20 | F | 96×70×143 | SLP2DF02E1G25 | 1.6 |
| | 25 | 12 | 0.5 | 13 | 13 | 8 | 120 | D | 20 | 20 | F | 96×70×143 | SLP2DF02V1G25 | 1.6 |
| 1-1/4" | 35 | 22 | 0.5 | 8 | 8 | 8 | 80 | D | 20 | 20 | F | 131×96×158 | SLP2DF02N1H35 | 3 |
| | 35 | 22 | 0.5 | 8 | 8 | | 120 | D | 20 | 20 | F | 131×96×158 | SLP2DF02E1H35 | 3 |
| | 35 | 22 | 0.5 | 8 | 8 | 8 | 120 | D | 20 | 20 | F | 131×96×158 | SLP2DF02V1H35 | 3 |
| 1-1/2" | 40 | 30 | 0.5 | 8 | 8 | 8 | 80 | D | 20 | 20 | F | 131×96×158 | SLP2DF02N1J40 | 2.8 |
| | 40 | 30 | 0.5 | 8 | 8 | | 120 | D | 20 | 20 | F | 131×96×158 | SLP2DF02E1J40 | 2.8 |
| | 40 | 30 | 0.5 | 8 | 8 | 8 | 120 | D | 20 | 20 | F | 131×96×158 | SLP2DF02V1J40 | 2.8 |
| 2" | 40 | 30 | 0.5 | 8 | 8 | 8 | 80 | D | 20 | 20 | F | 136×96×164 | SLP2DF02N1K40 | 3.2 |
| | 40 | 30 | 0.5 | 8 | 8 | 8 | 120 | D | 20 | 20 | F | 136×96×164 | SLP2DF02E1K40 | 3.2 |
| | 40 | 30 | 0.5 | 8 | 8 | 8 | 120 | D | 20 | 20 | F | 136×96×164 | SLP2DF02V1K40 | 3.2 |
| | 50 | 48 | 0.5 | 8 | 8 | 8 | 80 | D | 20 | 20 | F | 165×120×179 | SLP2DF02N1K50 | 4.2 |
| | 50 | 48 | 0.5 | 8 | 8 | | 120 | D | 20 | 20 | F | 165×120×179 | SLP2DF02E1K50 | 4.2 |
| | 50 | 48 | 0.5 | 8 | 8 | 8 | 120 | D | 20 | 20 | F | 165×120×179 | SLP2DF02V1K50 | 4.2 |

Sanlixin Solenoid Valve

SLP 2/2-way large diameter pilot operated solenoid valve · normally open

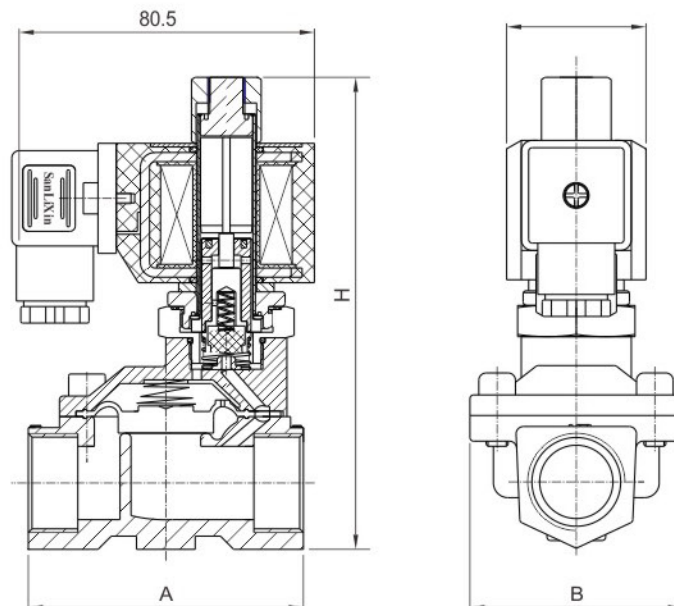
- 1:** 2-Way normally open solenoid valve; Open when de-energized, closed when energized.
- 2:** Body material: 316 stainless steel
- 3:** Max. Allowable pressure 12kgf/cm²; Ambient Temp. 0°C~65°C
- 4:** Serialized products, small in size, large flow rate, widely use.
- 5:** Flow as the arrow, mounts in any position; Best position is Solenoid vertical and upright direction.
- 6:** Voltage: 220VAC/230VAC/240VAC/110VAC/24VAC 50/60HZ 24VDC/12VDC;
Voltage Tolerance: +10% to -10% applicable voltage.
- 7:** This series valves are offered NBR、VITON、EPDM etc for Seals and diaphragm to provide on-off control of various fluids.



Normally Open



Construction, External Dimensions Chart





SLP 2/2-way large diameter pilot operated solenoid valve · normally open

Valve Selection List (Female connection)

| Pipe Conn-ection | Orifice mm | CV Factor | Operating pressure differential (kgf/cm ²) | | | | Max. Fluids Temp. | Coil Type | Power consumption | | Coil Class | External Dimensions Length x Width x Height A x B x H | Model Code Follows Voltage are 220VAC 50/60HZ | Weight (KG) |
|------------------|------------|-----------|---|---------|-------------------------|-------------------|-------------------|-----------|-------------------|--------------|------------|---|---|-------------|
| | | | Min. | Max. | | | | | VA AC 220 V | W DC 24 V | | | | |
| | | | | Air Gas | Water Hot water Liquids | Light oil ≤ 20CST | | | | | | | | |
| 3/8" | 13 | 4.5 | 0.5 | 13 | 13 | 8 | 80 | D | 20 | 20 | F | 66×48×124 | SLP2DF02N3C13 | 0.95 |
| | 13 | 4.5 | 0.5 | 13 | 13 | | 120 | D | 20 | 20 | F | 66×48×124 | SLP2DF02E3C13 | 0.95 |
| | 13 | 4.5 | 0.5 | 13 | 13 | 8 | 120 | D | 20 | 20 | F | 66×48×124 | SLP2DF02V3C13 | 0.95 |
| 1/2" | 13 | 4.5 | 0.5 | 13 | 13 | 8 | 80 | D | 20 | 20 | F | 66×48×124 | SLP2DF02N3D13 | 0.9 |
| | 13 | 4.5 | 0.5 | 13 | 13 | | 120 | D | 20 | 20 | F | 66×48×124 | SLP2DF02E3D13 | 0.9 |
| | 13 | 4.5 | 0.5 | 13 | 13 | 8 | 120 | D | 20 | 20 | F | 66×48×124 | SLP2DF02V3D13 | 0.9 |
| 3/4" | 20 | 7.6 | 0.5 | 13 | 13 | 8 | 80 | D | 20 | 20 | F | 75×58×130 | SLP2DF02N3E20 | 1.1 |
| | 20 | 7.6 | 0.5 | 13 | 13 | | 120 | D | 20 | 20 | F | 75×58×130 | SLP2DF02E3E20 | 1.1 |
| | 20 | 7.6 | 0.5 | 13 | 13 | 8 | 120 | D | 20 | 20 | F | 75×58×130 | SLP2DF02V3E20 | 1.1 |
| 1" | 20 | 7.6 | 0.5 | 13 | 13 | 8 | 80 | D | 20 | 20 | F | 81×58×136 | SLP2DF02N3G20 | 1.2 |
| | 20 | 7.6 | 0.5 | 13 | 13 | 8 | 120 | D | 20 | 20 | F | 81×58×136 | SLP2DF02E3G20 | 1.2 |
| | 20 | 7.6 | 0.5 | 13 | 13 | 8 | 120 | D | 20 | 20 | F | 81×58×136 | SLP2DF02V3G20 | 1.2 |
| | 25 | 12 | 0.5 | 13 | 13 | 8 | 80 | D | 20 | 20 | F | 96×70×143 | SLP2DF02N3G25 | 1.5 |
| | 25 | 12 | 0.5 | 13 | 13 | | 120 | D | 20 | 20 | F | 96×70×143 | SLP2DF02E3G25 | 1.5 |
| | 25 | 12 | 0.5 | 13 | 13 | 8 | 120 | D | 20 | 20 | F | 96×70×143 | SLP2DF02V3G25 | 1.5 |
| 1 1/4" | 35 | 22 | 0.5 | 8 | 8 | 8 | 80 | D | 20 | 20 | F | 131×96×158 | SLP2DF02N3H35 | 2.8 |
| | 35 | 22 | 0.5 | 8 | 8 | | 120 | D | 20 | 20 | F | 131×96×158 | SLP2DF02E3H35 | 2.8 |
| | 35 | 22 | 0.5 | 8 | 8 | 8 | 120 | D | 20 | 20 | F | 131×96×158 | SLP2DF02V3H35 | 2.8 |
| 1 1/2" | 40 | 30 | 0.5 | 8 | 8 | 8 | 80 | D | 20 | 20 | F | 131×96×158 | SLP2DF02N3J40 | 2.7 |
| | 40 | 30 | 0.5 | 8 | 8 | | 120 | D | 20 | 20 | F | 131×96×158 | SLP2DF02E3J40 | 2.7 |
| | 40 | 30 | 0.5 | 8 | 8 | 8 | 120 | D | 20 | 20 | F | 131×96×158 | SLP2DF02V3J40 | 2.7 |
| 2" | 40 | 30 | 0.5 | 8 | 8 | 8 | 80 | D | 20 | 20 | F | 136×96×164 | SLP2DF02N3K40 | 2.9 |
| | 40 | 30 | 0.5 | 8 | 8 | 8 | 120 | D | 20 | 20 | F | 136×96×164 | SLP2DF02E3K40 | 2.9 |
| | 40 | 30 | 0.5 | 8 | 8 | 8 | 120 | D | 20 | 20 | F | 136×96×164 | SLP2DF02V3K40 | 2.9 |
| | 50 | 48 | 0.5 | 8 | 8 | 8 | 80 | D | 20 | 20 | F | 165×120×179 | SLP2DF02N3K50 | 4.6 |
| | 50 | 48 | 0.5 | 8 | 8 | | 120 | D | 20 | 20 | F | 165×120×179 | SLP2DF02E3K50 | 4.6 |
| | 50 | 48 | 0.5 | 8 | 8 | 8 | 120 | D | 20 | 20 | F | 165×120×179 | SLP2DF02V3K50 | 4.6 |

Sanlixin Solenoid Valve

SLP 2/2-way large diameter pilot operated solenoid valve • normally open

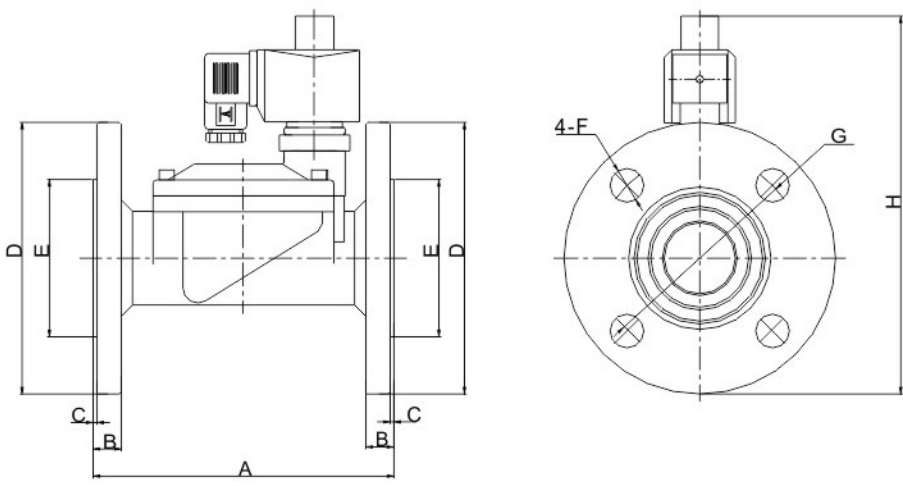
Valve Selection List (Flange connection)

| Orifice mm | CV Factor | Operating pressure differential (kgf/cm ²) | | | | | | | | Max. Fluids Temp. | Coil F Lass Type | Power consumption | | Model Code Follows Voltage are 220VAC 50/60HZ | Weight (KG) | |
|---------------|--------------|---|------------|----|-------------------------------|----|-----------|----|----------|-------------------------|---------------------------|----------------------|--------------------|---|----------------|----------|
| | | Min. | Max. | | | | | | | | | VA AC 220 V | W DC 24 V | | | |
| | | | Air Gas | | Water Hot water Liquids | | Light oil | | AC DC | | | | | | | AC DC |
| | | | AC | DC | AC | DC | AC | DC | | | | | | | | |
| 25 | 12 | 0.5 | 13 | 13 | 13 | 13 | 8 | 8 | 80 | D | 20 | 20 | SLP2DF02N3F25 | 2.9 | | |
| 25 | 12 | 0.5 | 13 | 13 | 13 | 13 | | | 120 | D | 20 | 20 | SLP2DF02E3F25 | 2.9 | | |
| 25 | 12 | 0.5 | 13 | 13 | 13 | 13 | 8 | 8 | 120 | D | 20 | 20 | SLP2DF02V3F25 | 2.9 | | |
| 35 | 22 | 0.5 | 8 | 8 | 8 | 8 | 8 | 8 | 80 | D | 20 | 20 | SLP2DF02N3F35 | 5.2 | | |
| 35 | 22 | 0.5 | 8 | 8 | 8 | 8 | | | 120 | D | 20 | 20 | SLP2DF02E3F35 | 5.2 | | |
| 35 | 22 | 0.5 | 8 | 8 | 8 | 8 | 8 | 8 | 120 | D | 20 | 20 | SLP2DF02V3F35 | 5.2 | | |
| 40 | 30 | 0.5 | 8 | 8 | 8 | 8 | 8 | 8 | 80 | D | 20 | 20 | SLP2DF02N3F40 | 5.5 | | |
| 40 | 30 | 0.5 | 8 | 8 | 8 | 8 | | | 120 | D | 20 | 20 | SLP2DF02E3F40 | 5.5 | | |
| 40 | 30 | 0.5 | 8 | 8 | 8 | 8 | 8 | 8 | 120 | D | 20 | 20 | SLP2DF02V3F40 | 5.5 | | |
| 50 | 48 | 0.5 | 8 | 8 | 8 | 8 | 8 | 8 | 80 | D | 20 | 20 | SLP2DF02N3F50 | 8.1 | | |
| 50 | 48 | 0.5 | 8 | 8 | 8 | 8 | | | 120 | D | 20 | 20 | SLP2DF02E3F50 | 8.1 | | |
| 50 | 48 | 0.5 | 8 | 8 | 8 | 8 | 8 | 8 | 120 | D | 20 | 20 | SLP2DF02V3F50 | 8.1 | | |
| 65 | 52 | 1 | 8 | 8 | 8 | 8 | 6 | 6 | 80 | D | 33 | 20 | SLP2DF02N4F65 | 13.7 | | |
| 65 | 52 | 1 | 8 | 8 | 8 | 8 | | | 120 | D | 33 | 20 | SLP2DF02E4F65 | 13.7 | | |
| 65 | 52 | 1 | 8 | 8 | 8 | 8 | 6 | 6 | 120 | D | 33 | 20 | SLP2DF02V4F65 | 13.7 | | |
| 80 | 80 | 1 | 8 | 8 | 8 | 8 | 6 | 6 | 80 | D | 33 | 20 | SLP2DF02N4F80 | 15.8 | | |
| 80 | 80 | 1 | 8 | 8 | 8 | 8 | | | 120 | D | 33 | 20 | SLP2DF02E4F80 | 15.8 | | |
| 80 | 80 | 1 | 8 | 8 | 8 | 8 | 6 | 6 | 120 | D | 33 | 20 | SLP2DF02V4F80 | 15.8 | | |
| 100 | 128 | 1 | 8 | 8 | 8 | 8 | 6 | 6 | 80 | D | 33 | 20 | SLP2DF02N4F100 | 22.2 | | |
| 100 | 128 | 1 | 8 | 8 | 8 | 8 | | | 120 | D | 33 | 20 | SLP2DF02E4F100 | 22.2 | | |
| 100 | 128 | 1 | 8 | 8 | 8 | 8 | 6 | 6 | 120 | D | 33 | 20 | SLP2DF02V4F100 | 22.2 | | |



SLP 2/2-way large diameter pilot operated solenoid valve · normally open

Construction, External Dimensions Chart



| | A | B | C | ΦD | ΦE | ΦF | ΦG | H |
|------------|-----|----|---|-----|-----|------|-----|-----|
| SLP-25BHF | 134 | 13 | 2 | 110 | 58 | 4-14 | 85 | 172 |
| SLP-32BHF | 160 | 15 | 2 | 135 | 74 | 4-18 | 100 | 187 |
| SLP-40BHF | 160 | 15 | 2 | 145 | 84 | 4-18 | 110 | 192 |
| SLP-50BHF | 200 | 16 | 2 | 160 | 88 | 4-18 | 125 | 219 |
| SLP-65BHF | 250 | 19 | 3 | 185 | 118 | 4-18 | 145 | 262 |
| SLP-80BHF | 270 | 19 | 3 | 200 | 134 | 4-18 | 160 | 274 |
| SLP-100BHF | 340 | 21 | 3 | 220 | 162 | 8-18 | 182 | 299 |

Sanlixin Solenoid Valve

SLP plastic series 2/2-way pilot operated solenoid valve · normally open

- 1:** 2-Way normally open solenoid valve; Open when de-energized, closed when energized.
- 2:** Body material: Nylon
- 3:** Max. Allowable pressure 13kgf/cm²; Ambient Temp. 0°C~65°C
- 4:** Serialized products, small in size, large flow rate, widely use.
- 5:** Flow as the arrow, mounts in any position; Best position is Solenoid vertical and upright direction.
- 6:** Voltage: 220VAC/230VAC/240VAC/110VAC/24VAC 50/60HZ 24VDC/12VDC;
Voltage Tolerance: +10% to -10% applicable voltage.
- 7:** This series valves are offered NBR、VITON、EPDM etc for
Seals and diaphragm to provide on-off control of various fluids.



Valve Selection List (Female connection)

| Pipe Conn- ection | Orifice mm | CV Factor | Min. | Operating pressure differential (kgf/cm ²) | | | Max. Fluids Temp. | Coil Type | Power consumption | | Coil Class | External Dimensions Length x Width x Height A x B x H | Model Code Follows Voltage are 220VAC 50/60HZ | Weight (KG) |
|----------------------|---------------|--------------|------|--|-------------------------------|-------------------------|-------------------------|--------------|----------------------|--------------------|---------------|---|---|----------------|
| | | | | Max. | | | | | VA AC 220 V | W DC 24 V | | | | |
| | | | | Air Gas | Water Hot water Liquids | Light oil ≤ 20CST | | | | | | | | |
| 3/8" | 13 | 4.5 | 0.5 | 8 | 8 | 5 | 80 | D | 20 | 20 | F | 76×52×129 | SLP2DF02N7C13 | 0.53 |
| | 13 | 4.5 | 0.5 | 8 | 8 | | 80 | D | 20 | 20 | F | 76×52×129 | SLP2DF02E7C13 | 0.53 |
| | 13 | 4.5 | 0.5 | 8 | 8 | 5 | 80 | D | 20 | 20 | F | 76×52×129 | SLP2DF02V7C13 | 0.53 |
| 1/2" | 13 | 4.5 | 0.5 | 8 | 8 | 5 | 80 | D | 20 | 20 | F | 76×52×129 | SLP2DF02N7D13 | 0.52 |
| | 13 | 4.5 | 0.5 | 8 | 8 | | 80 | D | 20 | 20 | F | 76×52×129 | SLP2DF02E7D13 | 0.52 |
| | 13 | 4.5 | 0.5 | 8 | 8 | 5 | 80 | D | 20 | 20 | F | 76×52×129 | SLP2DF02V7D13 | 0.52 |
| 3/4" | 20 | 7.6 | 0.5 | 8 | 8 | 5 | 80 | D | 20 | 20 | F | 90×71×133 | SLP2DF02N7E20 | 0.58 |
| | 20 | 7.6 | 0.5 | 8 | 8 | | 80 | D | 20 | 20 | F | 90×71×133 | SLP2DF02E7E20 | 0.58 |
| | 20 | 7.6 | 0.5 | 8 | 8 | 5 | 80 | D | 20 | 20 | F | 90×71×133 | SLP2DF02V7E20 | 0.58 |
| 1" | 25 | 12 | 0.5 | 8 | 8 | 5 | 80 | D | 20 | 20 | F | 111×91×141 | SLP2DF02N7G25 | 0.65 |
| | 25 | 12 | 0.5 | 8 | 8 | | 80 | D | 20 | 20 | F | 111×91×141 | SLP2DF02E7G25 | 0.65 |
| | 25 | 12 | 0.5 | 8 | 8 | 5 | 80 | D | 20 | 20 | F | 111×91×141 | SLP2DF02V7G25 | 0.65 |
| 1 1/4" | 35 | 22 | 0.5 | 8 | 8 | 5 | 80 | D | 20 | 20 | F | 158×115×158 | SLP2DF02N7H35 | 1.0 |
| | 35 | 22 | 0.5 | 8 | 8 | | 80 | D | 20 | 20 | F | 158×115×158 | SLP2DF02E7H35 | 1.0 |
| | 35 | 22 | 0.5 | 8 | 8 | 5 | 80 | D | 20 | 20 | F | 158×115×158 | SLP2DF02V7H35 | 1.0 |
| 1 1/2" | 40 | 30 | 0.5 | 8 | 8 | 5 | 80 | D | 20 | 20 | F | 158×115×158 | SLP2DF02N7J40 | 0.9 |
| | 40 | 30 | 0.5 | 8 | 8 | | 80 | D | 20 | 20 | F | 158×115×158 | SLP2DF02E7J40 | 0.9 |
| | 40 | 30 | 0.5 | 8 | 8 | 5 | 80 | D | 20 | 20 | F | 158×115×158 | SLP2DF02V7J40 | 0.9 |