

Sanlixin Solenoid Valve

SLT series 3/2-way direct acting solenoid valve

- SLT1 Normally Closed
- SLT2 Normally Open
- SLT3 Universal
- SLT4 Diverting

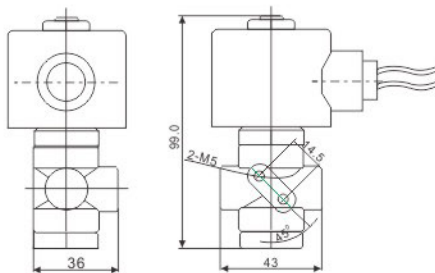


Solenoid Valve Numbering System for Order:

Position description	1	2	3	4	5	6	7	8	9	10
	Valve Series	Mode of Operation	Coil Type	Coil Class	Voltage	Seals Material	Body Type & Material	Connec-tion	Orifice (mm)	Options
E.G	SLT	1	D	F	02	N	9	A	V3	
		1: Normally Colsed 2: Normally Open 3: Unviersa 4: Diverting	D: DIN Standard Connec-tions, Fully Encapsu-lated W: Metallic Housing, Lead Wirs N: Lead wires water-tight Fully Euca-psulated X: Explosio n-proof M=SM Coil	F: FClass	02=220VAC 230VAC 50/60HZ 01=110VAC 05=24VAC 13=DC24V 12=DC12V Pls contact with company for other voltage	N: NBR V: VITON E: EPDM	1=Forged Brass 4=Round type SS304 (normal) 9=Forged Brass Round Type 3=Round Type SS316 5=SS316	A=1/8" B=1/4"	V1=1.5 V2=2.0 V3=2.5 V4=3.0 V5=4.0	N=NPT Conne-ction

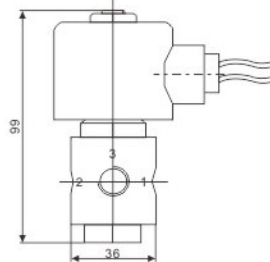
Item and External Dimensions Chart

Body:Forged Brass



Body:1, 5
Net:0.42kg

Round Body:S.S. Or Brass



Body:9,4,3
Net:0.49kg

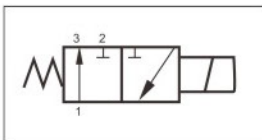
SLT series 3/2-way direct acting solenoid valve

SLT1 Normally Closed Specification List

Pipe Conn- ection	Orifice mm	CV Factor	Operating pressure differential (kgf/cm ²)				Max. Temp. °C	Coil Type	Power consumption		Coil Class	Model Code Follows Voltage are 220VAC 50/60Hz		
			Max.Pressure						VA AC 220V	W DC 24V				
			Min.	Air、 Gas Water、 Liquid		Light oil ≦ 20CST								
				AC	DC	AC			DC	Brass		SS304		
1/8"	1.5	0.07	0	13	11	13	11	80	D	22	13	F	SLT1DF02N1AV1	SLT1DF02N4AV1
	1.5	0.07	0	13	11	13	11	120	D	22	13	F	SLT1DF02V1AV1	SLT1DF02V4AV1
	2.0	0.14	0	11	9	11	9	80	D	22	13	F	SLT1DF02N1AV2	SLT1DF02N4AV2
	2.0	0.14	0	11	9	11	9	120	D	22	13	F	SLT1DF02V1AV2	SLT1DF02V4AV2
	2.5	0.21	0	9	7	9	7	80	D	22	13	F	SLT1DF02N1AV3	SLT1DF02N4AV3
	2.5	0.21	0	9	7	9	7	120	D	22	13	F	SLT1DF02V1AV3	SLT1DF02V4AV3
	3.0	0.25	0	6	4	6	4	80	D	22	13	F	SLT1DF02N1AV4	SLT1DF02N4AV4
	3.0	0.25	0	6	4	6	4	120	D	22	13	F	SLT1DF02V1AV4	SLT1DF02V4AV4
	4.0	0.35	0	3.5	2	3.5	2	80	D	22	13	F	SLT1DF02N1AV5	SLT1DF02N4AV5
	4.0	0.35	0	3.5	2	3.5	2	120	D	22	13	F	SLT1DF02V1AV5	SLT1DF02V4AV5
1/4"	1.5	0.07	0	13	11	13	11	80	D	22	13	F	SLT1DF02N1BV1	SLT1DF02N4BV1
	1.5	0.07	0	13	11	13	11	120	D	22	13	F	SLT1DF02V1BV1	SLT1DF02V4BV1
	2.0	0.14	0	11	9	11	9	80	D	22	13	F	SLT1DF02N1BV2	SLT1DF02N4BV2
	2.0	0.14	0	11	9	11	9	120	D	22	13	F	SLT1DF02V1BV2	SLT1DF02V4BV2
	2.5	0.21	0	9	7	9	7	80	D	22	13	F	SLT1DF02N1BV3	SLT1DF02N4BV3
	2.5	0.21	0	9	7	9	7	120	D	22	13	F	SLT1DF02V1BV3	SLT1DF02V4BV3
	3.0	0.25	0	6	4	6	4	80	D	22	13	F	SLT1DF02N1BV4	SLT1DF02N4BV4
	3.0	0.25	0	6	4	6	4	120	D	22	13	F	SLT1DF02V1BV4	SLT1DF02V4BV4
	4.0	0.35	0	3.5	2	3.5	2	80	D	22	13	F	SLT1DF02N1BV5	SLT1DF02N4BV5
	4.0	0.35	0	3.5	2	3.5	2	120	D	22	13	F	SLT1DF02V1BV5	SLT1DF02V4BV5

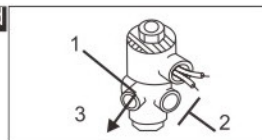
SLT 1 Normally Closed Energized、De-energized----Flow Chart

Normally Closed

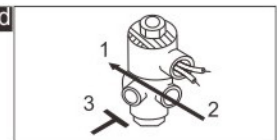


De-energized

Pressure:No.2



Energized



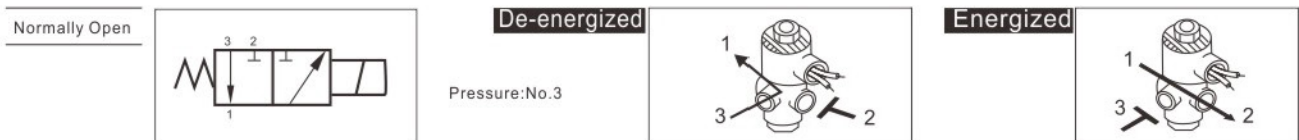
Sanlixin Solenoid Valve

SLT series 3/2-way direct acting solenoid valve

SLT2 Normally Open Specification List

Pipe Conn- ection	Orifice mm	CV Factor	Operating pressure differential (kgf/cm ²)				Max. Temp. °C	Coil Type	Power consumption		Coil Class	Model Code Follows Voltage are 220VAC 50/60Hz		
			Min.	Max. Pressure					VA 220V	W 24V		Brass	SS304	
				Air, Gas Water, liquid		Light oil ≦ 20CST								
				AC	DC	AC								DC
1/8 "	1.5	0.07	0	13	11	13	11	80	D	22	13	F	SLT2DF02N1AV1	SLT2DF02N4AV1
	1.5	0.07	0	13	11	13	11	120	D	22	13	F	SLT2DF02V1AV1	SLT2DF02V4AV1
	2.0	0.14	0	11	9	11	9	80	D	22	13	F	SLT2DF02N1AV2	SLT2DF02N4AV2
	2.0	0.14	0	11	9	11	9	120	D	22	13	F	SLT2DF02V1AV2	SLT2DF02V4AV2
	2.5	0.21	0	9	7	9	7	80	D	22	13	F	SLT2DF02N1AV3	SLT2DF02N4AV3
	2.5	0.21	0	9	7	9	7	120	D	22	13	F	SLT2DF02V1AV3	SLT2DF02V4AV3
	3.0	0.25	0	6	4	6	4	80	D	22	13	F	SLT2DF02N1AV4	SLT2DF02N4AV4
	3.0	0.25	0	6	4	6	4	120	D	22	13	F	SLT2DF02V1AV4	SLT2DF02V4AV4
	4.0	0.35	0	3.5	2	3.5	2	80	D	22	13	F	SLT2DF02N1AV5	SLT2DF02N4AV5
	4.0	0.35	0	3.5	2	3.5	2	120	D	22	13	F	SLT2DF02V1AV5	SLT2DF02V4AV5
1/4 "	1.5	0.07	0	13	11	13	11	80	D	22	13	F	SLT2DF02N1BV1	SLT2DF02N4BV1
	1.5	0.07	0	13	11	13	11	120	D	22	13	F	SLT2DF02V1BV1	SLT2DF02V4BV1
	2.0	0.14	0	11	9	11	9	80	D	22	13	F	SLT2DF02N1BV2	SLT2DF02N4BV2
	2.0	0.14	0	11	9	11	9	120	D	22	13	F	SLT2DF02V1BV2	SLT2DF02V4BV2
	2.5	0.21	0	9	7	9	7	80	D	22	13	F	SLT2DF02N1BV3	SLT2DF02N4BV3
	2.5	0.21	0	9	7	9	7	120	D	22	13	F	SLT2DF02V1BV3	SLT2DF02V4BV3
	3.0	0.25	0	6	4	6	4	80	D	22	13	F	SLT2DF02N1BV4	SLT2DF02N4BV4
	3.0	0.25	0	6	4	6	4	120	D	22	13	F	SLT2DF02V1BV4	SLT2DF02V4BV4
	4.0	0.35	0	3.5	2	3.5	2	80	D	22	13	F	SLT2DF02N1BV5	SLT2DF02N4BV5
	4.0	0.35	0	3.5	2	3.5	2	120	D	22	13	F	SLT2DF02V1BV5	SLT2DF02V4BV5

SLT 2 Normally Open Energized、De-energized-----Flow Chart

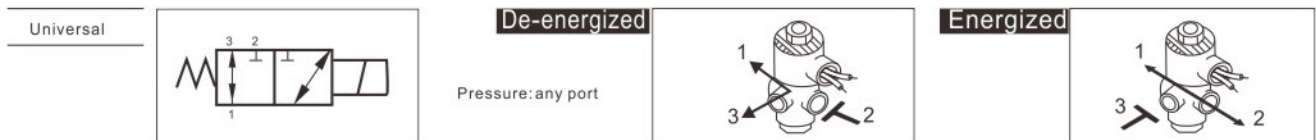


SLT series 3/2-way direct acting solenoid valve

SLT3 Universal Specification List

Pipe Conn-ection	Orifice mm	CV Factor	Operating pressure differential (kgf/cm ²)				Max. Temp. °C	Coil Type	Power consumption		Coil Class	Model Code Follows Voltage are 220VAC 50/60Hz		
			Min.	Max. Pressure		AC 220V			W 24V					
				Air, Gas Water, liquid						AC				DC
				AC	DC							AC	DC	
1/8"	1.5	0.07	0	7	5	7	5	80	D	22	13	F	SLT3DF02N1AV1	SLT3DF02N4AV1
	1.5	0.07	0	7	5	7	5	120	D	22	13	F	SLT3DF02V1AV1	SLT3DF02V4AV1
	2.0	0.14	0	5	4	5	4	80	D	22	13	F	SLT3DF02N1AV2	SLT3DF02N4AV2
	2.0	0.14	0	5	4	5	4	120	D	22	13	F	SLT3DF02V1AV2	SLT3DF02V4AV2
	2.5	0.21	0	4	3	4	3	80	D	22	13	F	SLT3DF02N1AV3	SLT3DF02N4AV3
	2.5	0.21	0	4	3	4	3	120	D	22	13	F	SLT3DF02V1AV3	SLT3DF02V4AV3
	3.0	0.25	0	2.5	2	2.5	2	80	D	22	13	F	SLT3DF02N1AV4	SLT3DF02N4AV4
	3.0	0.25	0	2.5	2	2.5	2	120	D	22	13	F	SLT3DF02V1AV4	SLT3DF02V4AV4
	4.0	0.35	0	1.7	0.8	1.7	0.8	80	D	22	13	F	SLT3DF02N1AV5	SLT3DF02N4AV5
	4.0	0.35	0	1.7	0.8	1.7	0.8	120	D	22	13	F	SLT3DF02V1AV5	SLT3DF02V4AV5
1/4"	1.5	0.07	0	7	5	7	5	80	D	22	13	F	SLT3DF02N1BV1	SLT3DF02N4BV1
	1.5	0.07	0	7	5	7	5	120	D	22	13	F	SLT3DF02V1BV1	SLT3DF02V4BV1
	2.0	0.14	0	5	4	5	4	80	D	22	13	F	SLT3DF02N1BV2	SLT3DF02N4BV2
	2.0	0.14	0	5	4	5	4	120	D	22	13	F	SLT3DF02V1BV2	SLT3DF02V4BV2
	2.5	0.21	0	4	3	4	3	80	D	22	13	F	SLT3DF02N1BV3	SLT3DF02N4BV3
	2.5	0.21	0	4	3	4	3	120	D	22	13	F	SLT3DF02V1BV3	SLT3DF02V4BV3
	3.0	0.25	0	2.5	2	2.5	2	80	D	22	13	F	SLT3DF02N1BV4	SLT3DF02N4BV4
	3.0	0.25	0	2.5	2	2.5	2	120	D	22	13	F	SLT3DF02V1BV4	SLT3DF02V4BV4
	4.0	0.35	0	1.7	0.8	1.7	0.8	80	D	22	13	F	SLT3DF02N1BV5	SLT3DF02N4BV5
	4.0	0.35	0	1.7	0.8	1.7	0.8	120	D	22	13	F	SLT3DF02V1BV5	SLT3DF02V4BV5

SLT 3 Universal Energized/De-energized ---Flow Chart



Sanlixin Solenoid Valve

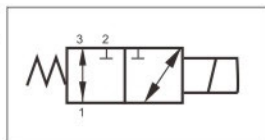
SLT series 3/2-way direct acting solenoid valve

SLT4 Diverting

Pipe Conn- ection	Orifice mm	CV Factor	Operating pressure differential (kgf/cm ²)				Max. Temp. °C	Coil Type	Power consumption		Coil Class	Model Code Follows Voltage are 220VAC 50/60Hz		
			Max. Pressure						VA 220V	W 24V				
			Air, Gas Water, liquid		Light oil ≤ 20CST									
			Min.	AC	DC	AC			DC	Brass		SS304		
1/8 "	1.5	0.07	0	13	11	13	11	80	D	22	13	F	SLT4DF02N1AV1	SLT4DF02N4AV1
	1.5	0.07	0	13	11	13	11	120	D	22	13	F	SLT4DF02V1AV1	SLT4DF02V4AV1
	2.0	0.14	0	11	9	11	9	80	D	22	13	F	SLT4DF02N1AV2	SLT4DF02N4AV2
	2.0	0.14	0	11	9	11	9	120	D	22	13	F	SLT4DF02V1AV2	SLT4DF02V4AV2
	2.5	0.21	0	9	7	9	7	80	D	22	13	F	SLT4DF02N1AV3	SLT4DF02N4AV3
	2.5	0.21	0	9	7	9	7	120	D	22	13	F	SLT4DF02V1AV3	SLT4DF02V4AV3
	3.0	0.25	0	6	4	6	4	80	D	22	13	F	SLT4DF02N1AV4	SLT4DF02N4AV4
	3.0	0.25	0	6	4	6	4	120	D	22	13	F	SLT4DF02V1AV4	SLT4DF02V4AV4
	4.0	0.35	0	3.5	2	3.5	2	80	D	22	13	F	SLT4DF02N1AV5	SLT4DF02N4AV5
	4.0	0.35	0	3.5	2	3.5	2	120	D	22	13	F	SLT4DF02V1AV5	SLT4DF02V4AV5
1/4 "	1.5	0.07	0	13	11	13	11	80	D	22	13	F	SLT4DF02N1BV1	SLT4DF02N4BV1
	1.5	0.07	0	13	11	13	11	120	D	22	13	F	SLT4DF02V1BV1	SLT4DF02V4BV1
	2.0	0.14	0	11	9	11	9	80	D	22	13	F	SLT4DF02N1BV2	SLT4DF02N4BV2
	2.0	0.14	0	11	9	11	9	120	D	22	13	F	SLT4DF02V1BV2	SLT4DF02V4BV2
	2.5	0.21	0	9	7	9	7	80	D	22	13	F	SLT4DF02N1BV3	SLT4DF02N4BV3
	2.5	0.21	0	9	7	9	7	120	D	22	13	F	SLT4DF02V1BV3	SLT4DF02V4BV3
	3.0	0.25	0	6	4	6	4	80	D	22	13	F	SLT4DF02N1BV4	SLT4DF02N4BV4
	3.0	0.25	0	6	4	6	4	120	D	22	13	F	SLT4DF02V1BV4	SLT4DF02V4BV4
	4.0	0.35	0	3.5	2	3.5	2	80	D	22	13	F	SLT4DF02N1BV5	SLT4DF02N4BV5
	4.0	0.35	0	3.5	2	3.5	2	120	D	22	13	F	SLT4DF02V1BV5	SLT4DF02V4BV5

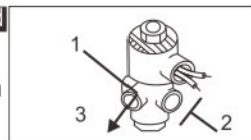
SLT 4 Universal Energized/De-energized ---Flow Chart

Universal

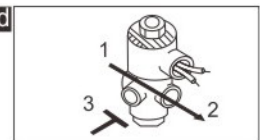


De-energized

Pressure: any port NO.1



Energized



SLT series 3/2-way pilot operated solenoid valve · normally closed

- 1.SLT series, 3–way solenoid valve feature pilot diaphragm construction together with a high flow rate. This The valve are highly resistant to dust, water deposits and other foreign matter.Capable of working at minimal differential pressures.
- 2.This valve have normally closed & normally open type
- 3.Seals: NBR、VITON、EPDM
- 4.Body Material: Brass
- 5.Fluid media: Air, Water, ect.
- 6.Working Pressure: 0.5~10kgf/cm²
- 7.Ambient Temp.: 0~65°C; Fluid Temp.:0~120°C
- 8.Coil can fix SM Coil

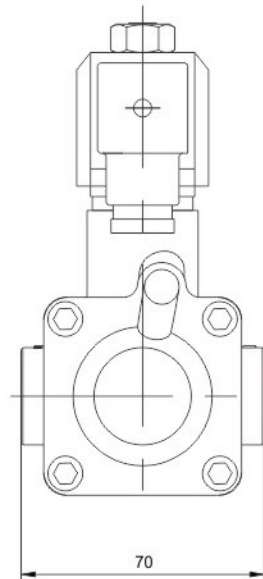
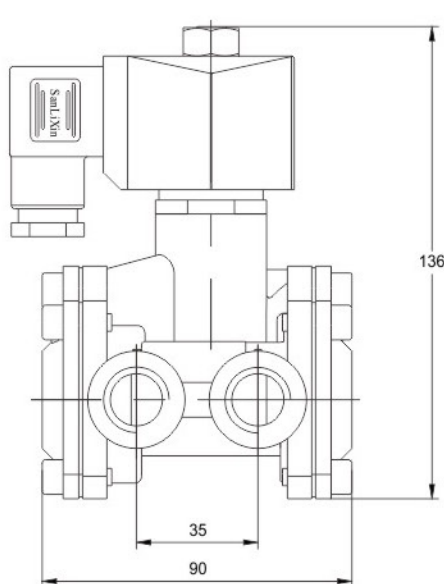


Solenoid Valve Numbering System for Order:

1	2	3	4	5	6	7	8	9	10
Series	Operating mode	Coil type	Coil Class	Voltage	Seal material	Body material	Pipe connection	Orifice	Option
SLT	1	D	F	02	N	1	D	16	
	1 = N.C. 2 = N.O.	D= DIN standard connections , fully encapsulated M= SM series coil	F= F class	02= AC220V 13= DC24V	N=NBR V=VITON E=EPDM	1= Forged brass	C=3/8" D=1/2"	16=16.0	L= With LED Plug N= NPT thread

Construction, external dimensions chart

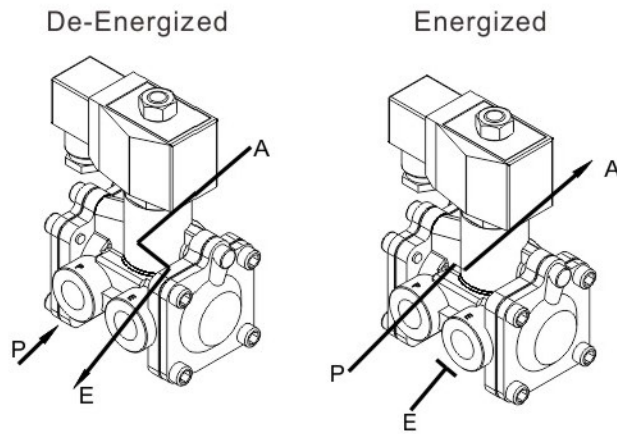
Weight:1.65kg



Sanlixin Solenoid Valve

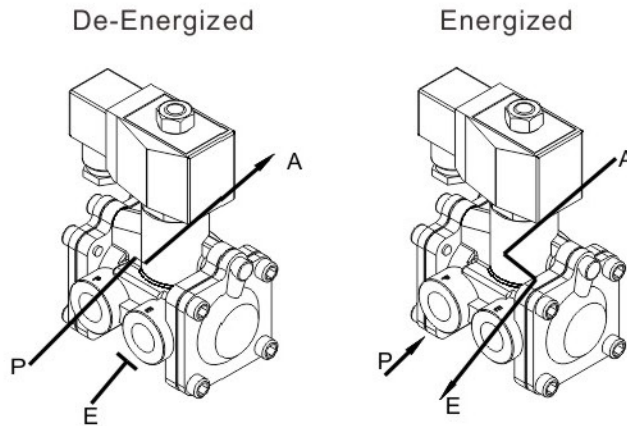
SLT series 3/2-way pilot operated solenoid valve · normally closed

Normally closed type



Pipe connection	Orifice mm	CV factor	Operating pressure (kgf/cm ²)			Max. Fluids Temp. °C	Coil class	Power consumption		Model Code AC220V 50/60HZ NBR
			Min.	Max.				VA	W	
				Air	Water, liquids			AC220V	DC24V	
3/8"	16	3.3	0.5	10	10	80	F	20	20	SLT1DF02N1C16
	16	3.3	0.5	10	10	120	F	20	20	SLT1DF02E1C16
	16	3.3	0.5	10	10	120	F	20	20	SLT1DF02V1C16
1/2"	16	3.3	0.5	10	10	80	F	20	20	SLT1DF02N1D16
	16	3.3	0.5	10	10	120	F	20	20	SLT1DF02E1D16
	16	3.3	0.5	10	10	120	F	20	20	SLT1DF02V1D16

Normally open type



Pipe connection	Orifice mm	CV factor	Operating pressure (kgf/cm ²)			Max. Fluids Temp. °C	Coil class	Power consumption		Model Code AC220V 50/60HZ NBR
			Min.	Max.				VA	W	
				Air	Water, liquids			AC220V	DC24V	
3/8"	16	3.3	0.5	10	10	80	F	20	20	SLT2DF02N1C16
	16	3.3	0.5	10	10	120	F	20	20	SLT2DF02E1C16
	16	3.3	0.5	10	10	120	F	20	20	SLT2DF02V1C16
1/2"	16	3.3	0.5	10	10	80	F	20	20	SLT2DF02N1D16
	16	3.3	0.5	10	10	120	F	20	20	SLT2DF02E1D16
	16	3.3	0.5	10	10	120	F	20	20	SLT2DF02V1D16

SLT series 3/2-way direct acting solenoid valve · universal

1. Seal Material: NBR, EPDM, VITON
2. Valve Body: Brass
3. Fluid media: Gas or Liquid
4. Fluid Temperature: 0~80°C
5. Ambient Temperature: -10~+60°C
6. Pressure: 0~20Bar
7. Voltage : AC220V ,DC24V ± 10% Voltage tolerance
8. Installation: the actuator can only be installed vertically upwards



Solenoid Valve Numbering System for Order:

1	2	3	4	5	6	7	8	9	10
Series	Operating mode	Coil type	Coil Class	Voltage	Seal material	Body material	Pipe connection	Orifice	Option
SLT	3	A	H	02	N	1	H	32	
	3= Universal	A= Metallic Housing, DIN Standard D= DIN Standard Connections, Fully Encapsulated	H= H class F= F class	02= AC220V AC230V 13= DC24V	N=NBR V=VITON E=EPDM	1= Forged brass 3=SS316 1= Forged brass	B=1/4" C=3/8" D=1/2 " H=1 1/4 " J=1 1/2 "	06=6.0 11=11.0 32=32.0	L= With LED Plug N= NPT thread

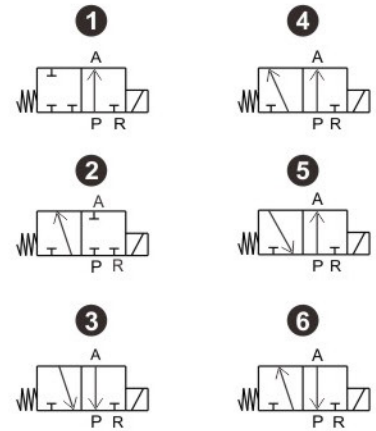
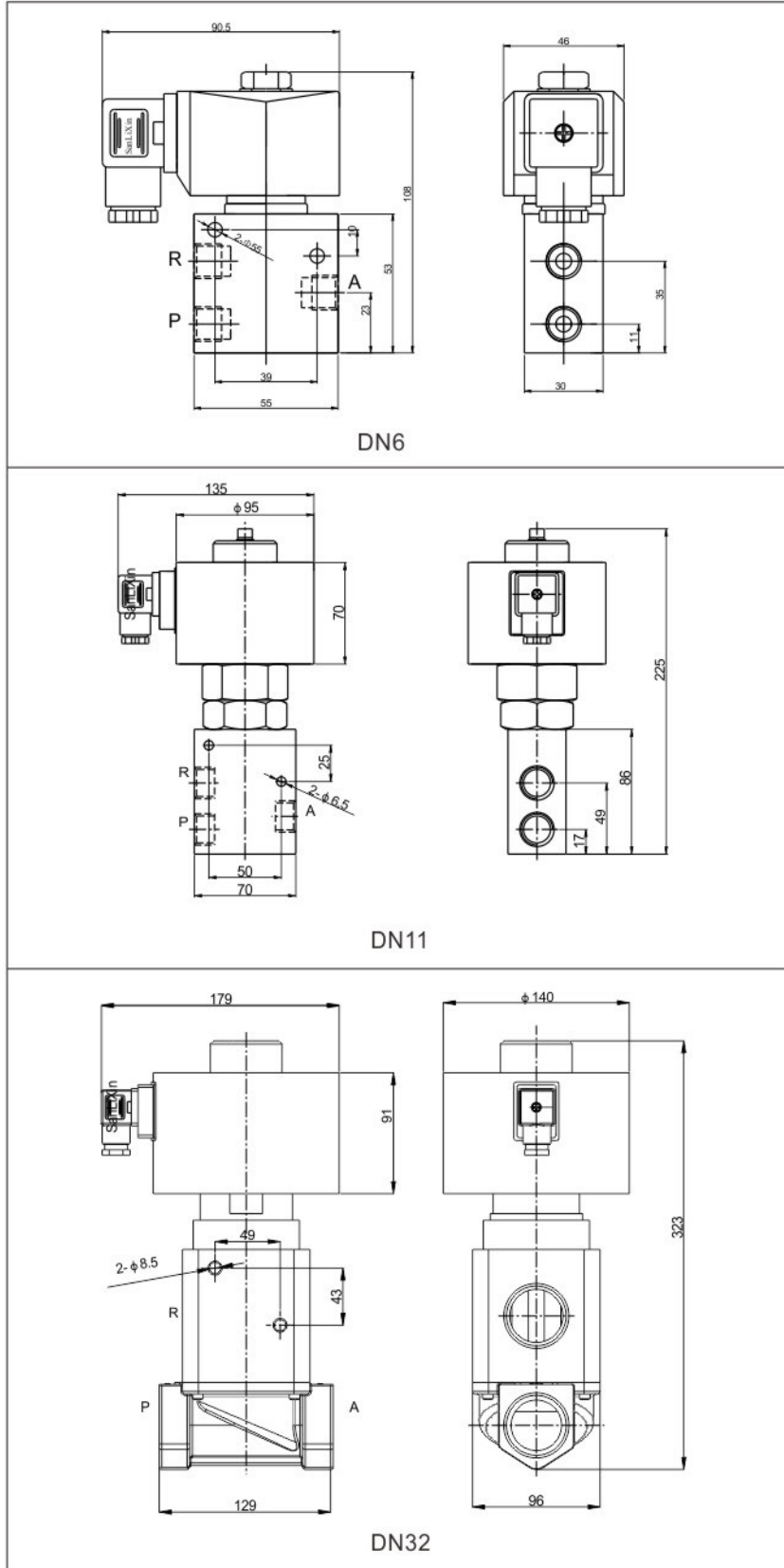
External Dimensions Chart

SIZE	Orifice mm	CV factor	Operating pressure differential kgf/cm ²				Max temp. °C	Power (W)	Model Code Follows Voltage are 220VAC	Weight Kg
			Max pressure			AC/DC				
			min pressure	Air Gas	Water Liquids					
1/4"	6	0.8	0	10	10	8	80	25	SLT3DF02N1B06L	1.1
1/4"	6	0.8	0	10	10	8	80	25	SLT3DF02N3B06L	1.1
3/8"	11	1.1	0	15	15	10	80	46	SLT3AH02N1C11L	5.4
1/2"	11	1.3	0	15	15	10	80	46	SLT3AH02N1D11L	5.4
1 1/4"	32	24	0	10	10	7	80	100	SLT3AH02N1H32L	17.5
1 1/2"	32	24	0	10	10	7	80	100	SLT3AH02N1J32L	17.5

Sanlixin Solenoid Valve

SLT series 3/2-way direct acting solenoid valve · universal

Construction, External Dimensions Chart



- 1. 2/2 normally closed type: P is the entrance, A is for exit, and R is blocked.
- 2. 2/2 normally open type: R is the entrance, A is for exit, and P is blocked.
- 3. 3/2, 1 in and 2 out of flow type: A is the entrance, P and R are exported.
- 4. 3/2, 2, 1 out of the confluence type: P, R for entrance, and A for exit.
- 5. 3/2 normally closed type: P is pressure port, A is outlet, R is exhaust port.
- 6. 3/2 normally open type: R is pressure port, A is outlet, P is outlet.