

Sanlixin Solenoid Valve

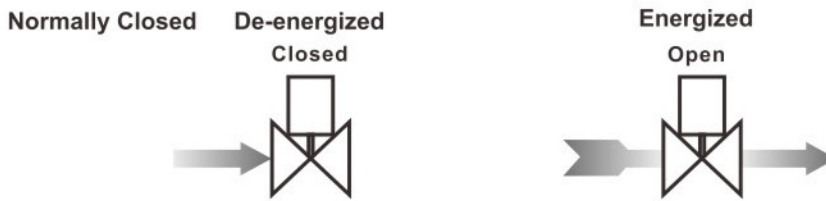
ZS compact series 2/2-way direct acting solenoid valve · normally closed

Solenoid Valves Numbering System for Order

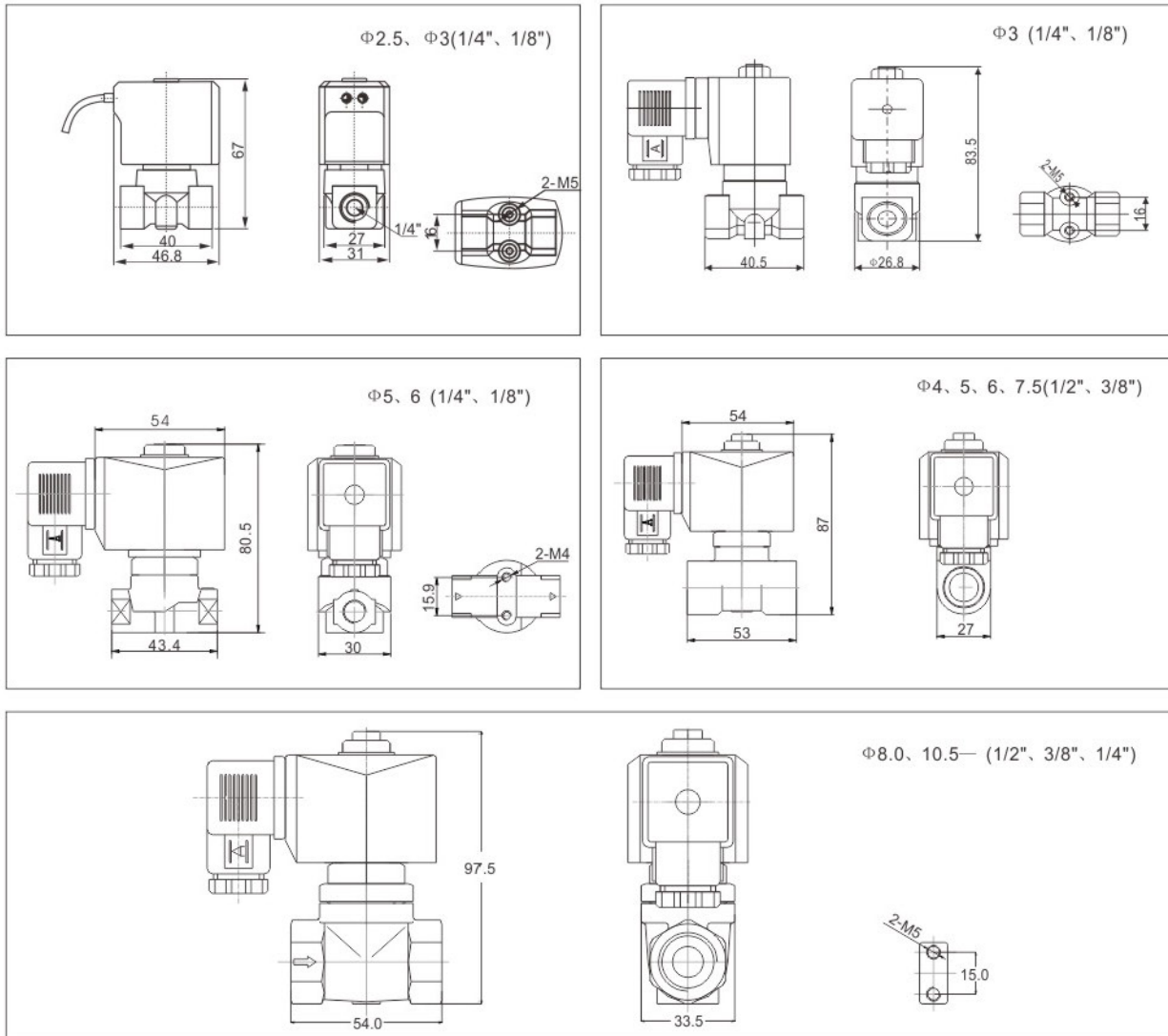
Position description	1	2	3	4	5	6	7	8	9	10
	Valve Series	Mode of Operation	Coil Type	Coil Class	Voltage	Seal Material	Body Material	Pipe Size	Orifice (mm)	Options
E.G.	ZS	1	D	F	02	N	1	E	20	<input type="checkbox"/>
	ZS Series	1: Normally Closed	D: DIN Standard Connections, Fully Encapsulated A: Metallic Housing, DIN Standard U= Under water N= Lead wires water-tight Fully Encapsulated	F: F Class	02=AC220V AC230V 01=AC110V AC120V 03=AC36V 04=AC48V 05=AC24V 07=24-220V AC/DC 08=AC380V 12=DC12V 13=DC24V	N=NBR	1=Forged Brass 4=SS304 3=Ss316	A=1/8" B=1/4" C=3/8" D=1/2"	C3=2.5 03=3.0 04=4.0 05=5.0 06=6.0 C8=7.5 04=4.0 05=5.0 06=6.0 C8=7.5 09=9.0 10=10.0 15=15.0 20=20.0 25=25.0 40=40.0 10=10.0 13=13.0 15=16.0 19=20.0 16=16.0 20=20.0 20=20.0 25=25.0 32=32.0 32=32.0 40=40.0 40=40.0 50=50.0 15=15.0 20=20.0 25=25.0 32=32.0 40=40.0 50=50.0 65=65.0 80=80.0 100=100.0	M= Manual Override L= Neon lamp N= NPT pipe size K= Mounting Bracket Y=Sensor
		2: Normally Open		H: H Class		V=VITON E=EPDM (for orifice under ϕ 25mm only) G=Silicone				

ZS compact series 2/2-way direct acting solenoid valve · normally closed

1. 2/2-Way normally closed solenoid valve, Closed when de-energized, open when energized
2. Body material: Brass, SS304, SS316(Special made)
2. Max. Allowable pressure 16kgf/cm²; Fluids Temp: 0°C~120°C
3. Serialized products, small in size, large flow rate, widely use
4. Flow as the arrow, mounts in any position; Best position is solenoid vertical and upright direction.
5. Voltage: 220VAC/230VAC/240VAC/110VAC/24C 50/60HZ 24VDC/12VDC; Voltage Tolerance: +10% to -10% applicable voltage
6. Coil can fix Germany Nass Coil, for orifice under DN25 only
7. This series valves are offered NBR、VITON、EPDM etc for Seals and diaphragm to provide on-off control of various fluids.
8. Coil can fix SM Coil. AC 220V/AC110V/AC24V/DC24V



External Dimensions Chart



Sanlixin Solenoid Valve

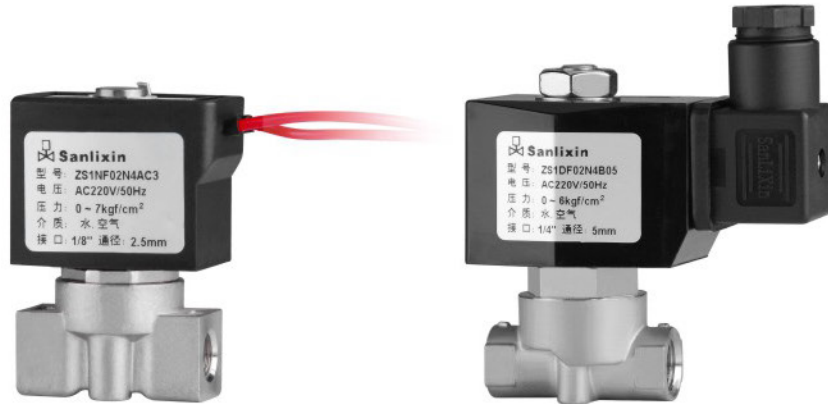
ZS compact series 2/2-way direct acting solenoid valve · normally closed



Valve Selection List

Pipe Conn- ection	Orifice mm	CV Factor	Operating pressure differential (kgf/cm ²)								Max. fluids Temp. °C	Coil Type	Power consumption		Coil Class	Model Code		Weight (KG)
			Min.	Max.						AC 220V			W 24V	Follows Voltage are 220VAC				
				Air Gas		Water Hot water Liquids		Light oil ≤ 20CST						Body material:				
				AC	DC	AC	DC	AC	DC					Forged brass		SS304		
1/8" Only N05 coil	2.5	0.23	0	7	5	7	5	7	5	80	N	13	8.5	F	ZS1NF02N1AC3	ZS1NF02N4AC3	0.35	
	2.5	0.23	0	7	5	7	5			120	N	13	8.5	F	ZS1NF02E1AC3	ZS1NF02E4AC3	0.35	
	2.5	0.23	0	7	5	7	5	7	5	120	N	13	8.5	F	ZS1NF02V1AC3	ZS1NF02V4AC3	0.35	
	3	0.3	0	5	4	5	4	5	4	80	N	13	8.5	F	ZS1NF02N1A03	ZS1NF02N4A03	0.35	
	3	0.3	0	5	4	5	4			120	N	13	8.5	F	ZS1NF02E1A03	ZS1NF02E4A03	0.35	
	3	0.3	0	5	4	5	4	5	4	120	N	13	8.5	F	ZS1NF02V1A03	ZS1NF02V4A03	0.35	
1/8"	4	0.6	0	8	5	8	5	5	5	80	D	20	20	F	ZS1DF02N1A04	ZS1DF02N4A04	0.46	
	4	0.6	0	8	5	8	5			120	D	20	20	F	ZS1DF02E1A04	ZS1DF02E4A04	0.46	
	4	0.6	0	8	5	8	5	5	5	120	D	20	20	F	ZS1DF02V1A04	ZS1DF02V4A04	0.46	
	5	0.65	0	6	4	6	4	4	3	80	D	20	20	F	ZS1DF02N1A05	ZS1DF02N4A05	0.46	
	5	0.65	0	6	4	6	4			120	D	20	20	F	ZS1DF02E1A05	ZS1DF02E4A05	0.46	
	5	0.65	0	6	4	6	4	4	3	120	D	20	20	F	ZS1DF02V1A05	ZS1DF02V4A05	0.46	
	6	0.8	0	4	2.5	4	2.5	3	2.5	80	D	20	20	F	ZS1DF02N1A06	ZS1DF02N4A06	0.46	
	6	0.8	0	4	2.5	4	2.5			120	D	20	20	F	ZS1DF02E1A06	ZS1DF02E4A06	0.46	
	6	0.8	0	4	2.5	4	2.5	3	2.5	120	D	20	20	F	ZS1DF02V1A06	ZS1DF02V4A06	0.46	
	7.5	1.0	0	1.5	1	1.5	1	1.5	1	80	D	20	20	F	ZS1DF02N1AC8	ZS1DF02N4AC8	0.45	
	7.5	1.0	0	1.5	1	1.5	1			120	D	20	20	F	ZS1DF02E1AC8	ZS1DF02E4AC8	0.45	
7.5	1.0	0	1.5	1	1.5	1	1.5	1	120	D	20	20	F	ZS1DF02V1AC8	ZS1DF02V4AC8	0.45		

ZS compact series 2/2-way direct acting solenoid valve · normally closed



Valve Selection List

Pipe Conn- ection	Orifice mm	CV Factor	Operating pressure differential (kgf/cm ²)							Max. fluids Temp. °C	Coil Type	Power consumption		Coil Class	Model Code		Weight (KG)
			Min.	Max.								AC 220V	DC 24V		Follows Voltage are 220VAC		
				Air Gas		Water Hot water Liquids		Light oil ≤20CST							Body material:		
				AC	DC	AC	DC	AC	DC						Forged brass	SS304	
1/4" Only N05 coil	2.5	0.23	0	7	5	7	5	7	5	80	N	13	8.5	F	ZS1NF02N1BC3	ZS1NF02N4BC3	0.34
	2.5	0.23	0	7	5	7	5			120	N	13	8.5	F	ZS1NF02E1BC3	ZS1NF02E4BC3	0.34
	2.5	0.23	0	7	5	7	5	7	5	120	N	13	8.5	F	ZS1NF02V1BC3	ZS1NF02V4BC3	0.34
	3	0.3	0	5	4	5	4	5	4	80	N	13	8.5	F	ZS1NF02N1B03	ZS1NF02N4B03	0.34
	3	0.3	0	5	4	5	4			120	N	13	8.5	F	ZS1NF02E1B03	ZS1NF02E4B03	0.34
	3	0.3	0	5	4	5	4	5	4	120	N	13	8.5	F	ZS1NF02V1B03	ZS1NF02V4B03	0.34
1/4"	4	0.6	0	8	5	8	5	5	5	80	D	20	20	F	ZS1DF02N1B04	ZS1DF02N4B04	0.46
	4	0.6	0	8	5	8	5			120	D	20	20	F	ZS1DF02E1B04	ZS1DF02E4B04	0.46
	4	0.6	0	8	5	8	5	5	5	120	D	20	20	F	ZS1DF02V1B04	ZS1DF02V4B04	0.46
	5	0.65	0	6	4	6	4	4	3	80	D	20	20	F	ZS1DF02N1B05	ZS1DF02N4B05	0.45
	5	0.65	0	6	4	6	4			120	D	20	20	F	ZS1DF02E1B05	ZS1DF02E4B05	0.45
	5	0.65	0	6	4	6	4	4	3	120	D	20	20	F	ZS1DF02V1B05	ZS1DF02V4B05	0.45
	6	0.8	0	4	2.5	4	2.5	3	2.5	80	D	20	20	F	ZS1DF02N1B06	ZS1DF02N4B06	0.45
	6	0.8	0	4	2.5	4	2.5			120	D	20	20	F	ZS1DF02E1B06	ZS1DF02E4B06	0.45
	6	0.8	0	4	2.5	4	2.5	3	2.5	120	D	20	20	F	ZS1DF02V1B06	ZS1DF02V4B06	0.45
	7.5	1.0	0	1.5	1	1.5	1	1.5	1	80	D	20	20	F	ZS1DF02N1BC8	ZS1DF02N4BC8	0.44
	7.5	1.0	0	1.5	1	1.5	1			120	D	20	20	F	ZS1DF02E1BC8	ZS1DF02E4BC8	0.44
	7.5	1.0	0	1.5	1	1.5	1	1.5	1	120	D	20	20	F	ZS1DF02V1BC8	ZS1DF02V4BC8	0.44

Sanlixin Solenoid Valve

ZS compact series 2/2-way direct acting solenoid valve · normally closed



Valve Selection List

Pipe Conn- ection	Orifice mm	CV Factor	Operating pressure differential (kgf/cm ²)							Max. fluids Temp. °C	Coil Type	Power consumption		Coil Class	Model Code Follows Voltage are 220VAC		Weight (KG)
			Min.	Max.								AC 220V	DC 24V		Body material		
				Air Gas		Water Hot water Liquids		Light oil ≤ 20CST									
				AC	DC	AC	DC	AC	DC								
3/8"	4	0.6	0	8	5	8	5	5	5	80	D	20	20	F	ZS1DF02N1C04	ZS1DF02N4C04	0.6
	4	0.6	0	8	5	8	5			120	D	20	20	F	ZS1DF02E1C04	ZS1DF02E4C04	0.6
	4	0.6	0	8	5	8	5	5	5	120	D	20	20	F	ZS1DF02V1C04	ZS1DF02V4C04	0.6
	5	0.65	0	6	4	6	4	4	3	80	D	20	20	F	ZS1DF02N1C05	ZS1DF02N4C05	0.51
	5	0.65	0	6	4	6	4			120	D	20	20	F	ZS1DF02E1C05	ZS1DF02E4C05	0.51
	5	0.65	0	6	4	6	4	4	3	120	D	20	20	F	ZS1DF02V1C05	ZS1DF02V4C05	0.51
	6	0.8	0	4	2.5	4	2.5	3	2.5	80	D	20	20	F	ZS1DF02N1C06	ZS1DF02N4C06	0.51
	6	0.8	0	4	2.5	4	2.5			120	D	20	20	F	ZS1DF02E1C06	ZS1DF02E4C06	0.51
	6	0.8	0	4	2.5	4	2.5	3	2.5	120	D	20	20	F	ZS1DF02V1C06	ZS1DF02V4C06	0.51
	7.5	1.0	0	1.5	1	1.5	1	1.5	1	80	D	20	20	F	ZS1DF02N1CC8	ZS1DF02N4CC8	0.49
	7.5	1.0	0	1.5	1	1.5	1			120	D	20	20	F	ZS1DF02E1CC8	ZS1DF02E4CC8	0.49
	7.5	1.0	0	1.5	1	1.5	1	1.5	1	120	D	20	20	F	ZS1DF02V1CC8	ZS1DF02V4CC8	0.49
1/2"	10	1.6	0	0.5	0.3	0.5	0.3	0.4	0.2	80	D	20	20	F	ZS1DF02N1C10	ZS1DF02N4C09	0.62
	10	1.6	0	0.5	0.3	0.5	0.3			120	D	20	20	F	ZS1DF02E1C10	ZS1DF02E4C09	0.62
	10	1.6	0	0.5	0.3	0.5	0.3	0.4	0.2	120	D	20	20	F	ZS1DF02V1C10	ZS1DF02V4C09	0.62
	4	0.6	0	8	5	8	4	4	3	80	D	20	20	F	ZS1DF02N1D04	ZS1DF02N4D04	0.48
	4	0.6	0	8	5	8	4			120	D	20	20	F	ZS1DF02E1D04	ZS1DF02E4D04	0.48
	4	0.6	0	8	5	8	5	5	5	120	D	20	20	F	ZS1DF02V1D04	ZS1DF02V4D04	0.48
	5	0.65	0	6	4	6	5	5	5	80	D	20	20	F	ZS1DF02N1D05	ZS1DF02N4D05	0.48
	5	0.65	0	6	4	6	5			120	D	20	20	F	ZS1DF02E1D05	ZS1DF02E4D05	0.48
	5	0.65	0	6	4	6	4	4	3	120	D	20	20	F	ZS1DF02V1D05	ZS1DF02V4D05	0.48
	6	0.8	0	4	2.5	4	2.5	3	2.5	80	D	20	20	F	ZS1DF02N1D06	ZS1DF02N4D06	0.46
	6	0.8	0	4	2.5	4	2.5			120	D	20	20	F	ZS1DF02E1D06	ZS1DF02E4D06	0.46
	6	0.8	0	4	2.5	4	2.5	3	2.5	120	D	20	20	F	ZS1DF02V1D06	ZS1DF02V4D06	0.46
	7.5	1.0	0	1.5	1	1.5	1	1.5	1	80	D	20	20	F	ZS1DF02N1DC8	ZS1DF02N4DC8	0.45
	7.5	1.0	0	1.5	1	1.5	1			120	D	20	20	F	ZS1DF02E1DC8	ZS1DF02E4DC8	
	7.5	1.0	0	1.5	1	1.5	1	1.5	1	120	D	20	20	F	ZS1DF02V1DC8	ZS1DF02V4DC8	
	10	1.65	0	0.5	0.3	0.5	0.3	0.4	0.2	80	D	20	20	F	ZS1DF02N1D10	ZS1DF02N4D09	0.59
	10	1.65	0	0.5	0.3	0.5	0.3			120	D	20	20	F	ZS1DF02E1D10	ZS1DF02E4D09	
	10	1.65	0	0.5	0.3	0.5	0.3	0.4	0.2	120	D	20	20	F	ZS1DF02V1D10	ZS1DF02V4D09	