

# SLC Series Water Dispenser Plastic Solenoid Valve

● The Professional Solenoid Valves Manufactory

## SLC Water Valve

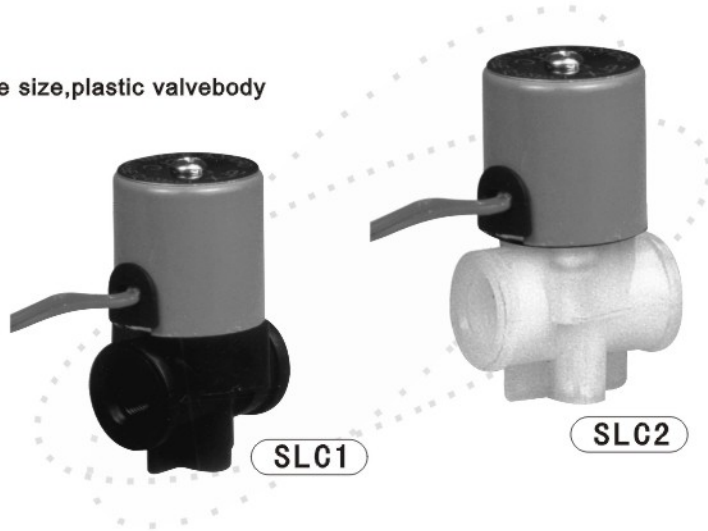
2-way normallyclosed, 1/8 & 1/4 pipe size, plastic valvebody

### Specification

|                                                                    |
|--------------------------------------------------------------------|
| Direct acting, Normally closed                                     |
| Response time: 6~20MSEL                                            |
| Mounting: Solenoid vertical and upright direction. Fixing screw M5 |

### Using

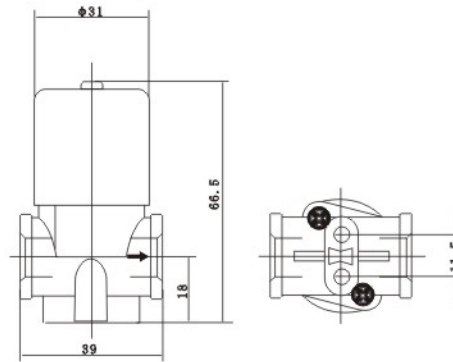
|                              |
|------------------------------|
| Fluid media: water           |
| Fluids temp.: 0°C ~ 100°C    |
| Ambient temp.: -10°C ~ +40°C |



### Characteristics

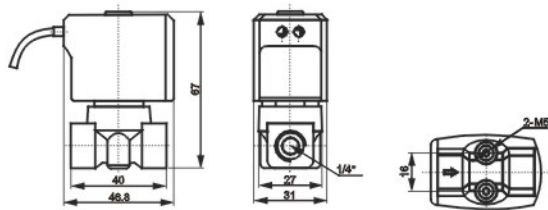
|                                             |
|---------------------------------------------|
| Power consumption: AC 6.8VA (Holding) DC 5W |
| Voltage: AC: 24V 110V 220V 50/60Hz, DC: 24V |
| Voltage Tolerance: -10%                     |
| Coil class: Class B 130                     |
| Duty cycle: 100%                            |
| lead length: 30 CM(12)                      |

### Construction, External Dimensions Chart



### Component Material

|                                           |
|-------------------------------------------|
| Plunger: IJ117                            |
| Seals: EPDM                               |
| Body: PP, 1/8(black), 1/4(white), nylon66 |
| Shading Ring: red copper                  |



SLC5~6

### Technical Parameter

| Pipe size | Orifice   | CV   | Operating Pressure PSI |        |        | Model Code  |
|-----------|-----------|------|------------------------|--------|--------|-------------|
|           |           |      | MIN                    | MAX-AC | MAX-DC |             |
| 1/8"      | 2.5(3/32) | 0.21 | 0                      | 120    | 120    | SLC1(black) |
| 1/4"      | 2.5(3/32) | 0.21 | 0                      | 120    | 120    | SLC2(white) |
| 1/8"      | 3.0       | 0.23 | 0                      | 100    | 100    | SLC5        |
| 1/4"      | 3.0       | 0.23 | 0                      | 100    | 100    | SLC6        |

## SLC Series Water Dispenser Plastic Solenoid Valve

●The Professional Solenoid Valves Manufactory

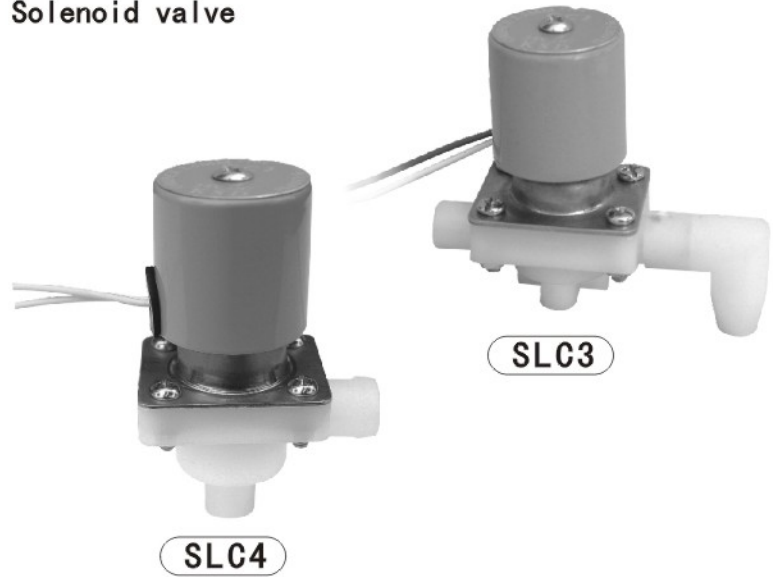
2-way normally closed, plastic Solenoid valve

### Characteristics

special diaphragm for foods and separate type

### Specification

Direct acting  
 Response time:10~50MSEL  
 Mounting: Solenoid vertical and upright direction.  
 Fixing screw M4 for SLC-3  
 Fixing screw M3 for SLC-4



### Using

Fluid media: water  
 Fluids temp.:0°C~100°C  
 Ambient temp.: -10°C~ +40°C

### Characteristics

Voltage: DC12V DC24V  
 Coil Class: CLASS B 110°C  
 lead length:30CM

### Voltage tolerance

-10%~+10%

### Component Material

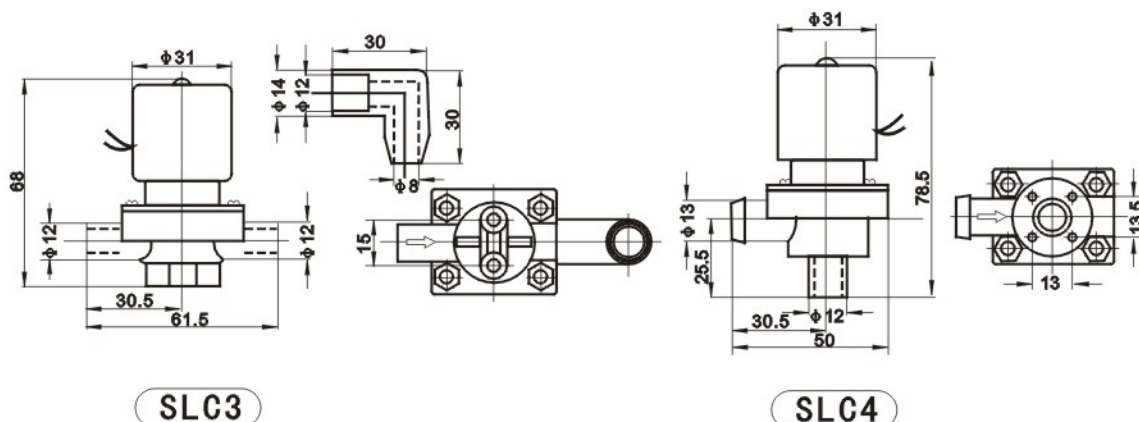
Plunger: IJ117  
 Seals: Silica Gel  
 Body: PP



### Technical Parameter

| Model Code | Major diameter (Insert port) | Orifice Water | Column mm |
|------------|------------------------------|---------------|-----------|
| SLC3       | 12                           | 8             | 600       |
| SLC4       | 12                           | 9             | 600       |

### Construction Dimensions Chart



# SLC Series Water Dispenser Plastic Solenoid Valve

● The Professional Solenoid Valves Manufactory

## Specification

|                                    |
|------------------------------------|
| Direct acting, Normally closed     |
| Response time: 0-5 Msel            |
| Upright direction, fixing screw M5 |



## Using

|                                    |
|------------------------------------|
| Fluid media water                  |
| Fluid Temp: 0°C to -100°C          |
| Ambient Temperature: -10°C to 40°C |

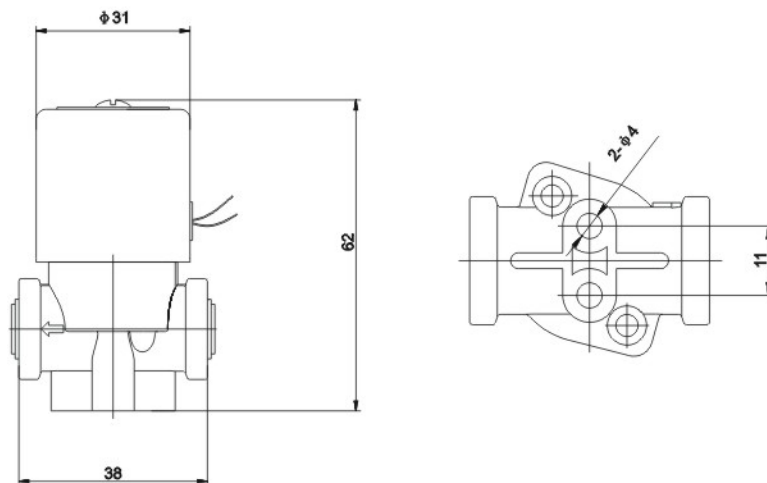
## Characteristic

|                                        |
|----------------------------------------|
| Power consumption: AC6.8VA (HOLD) DC5W |
| Voltage: AC24V 110V 220V, DC24V        |
| Voltage Tolerance -10% to +10%         |
| Coil Class: Class B 130                |
| Duty cycle: 100%                       |
| Lead length: 30CM(12" )                |

## Component material

|                          |
|--------------------------|
| Plunger: Ij117           |
| Seals: EPDM              |
| Body Material: PP white  |
| Shading Ring: Red copper |

## Construction, external dimensions chart



## Technical Parameters

| Quick connected pipe | Orifice      | CV   | Operating pressure |        |        | Model Code |
|----------------------|--------------|------|--------------------|--------|--------|------------|
|                      |              |      | MIN                | MAX-AC | MAX-DC |            |
| R1/4"(φ6.35)         | 2.5 ( 3/32 ) | 0.21 | 0                  | 120    | 120    | SLC10      |