

# Sanlixin Solenoid Valve

## SLP Compact Series 2/2-Way Direct Acting Solenoid Valve · Normally Open

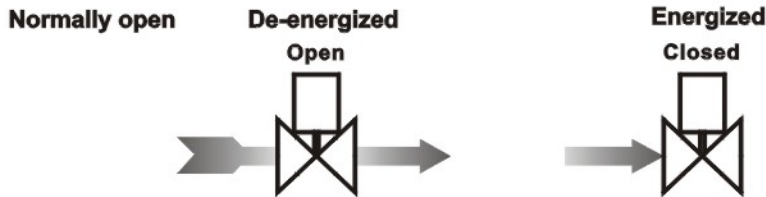
●The Professional Solenoid Valves Manufactory

- 1: 2-Way normally open solenoid valve, Open when de-energized, Closed when energized.
- 2: Serialized products, small in size, large flow rate, widely use
- 3: Body material: forged brass.316 stainless steel.
- 4: Ambient Temp. 0°C~65°C, Fluids Temp 0°C~130°C.
- 5: Flow as the arrow, mounts in any position; Best position is solenoid vertical and upright direction.
- 6: Voltage: 220VAC/230VAC/240VAC/110VAC/24VAC 50/60HZ 24VDC/12VDC;  
Voltage Tolerance: +10% to -10% applicable voltage can fix Nass coil
- 7: This series valves are offered NBR、VITON、EPDM etc  
For Seals and diaphragm to provide on-off control of various fluids.

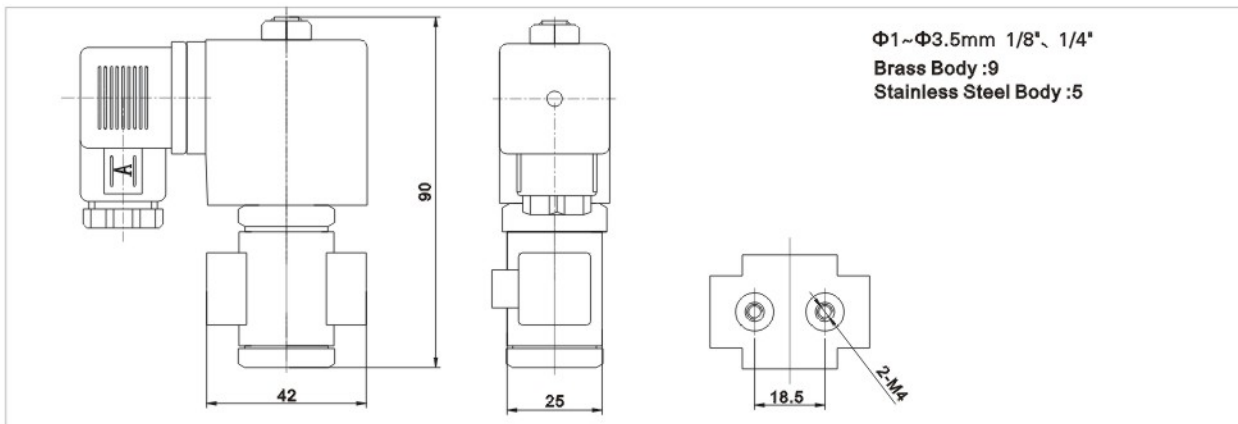
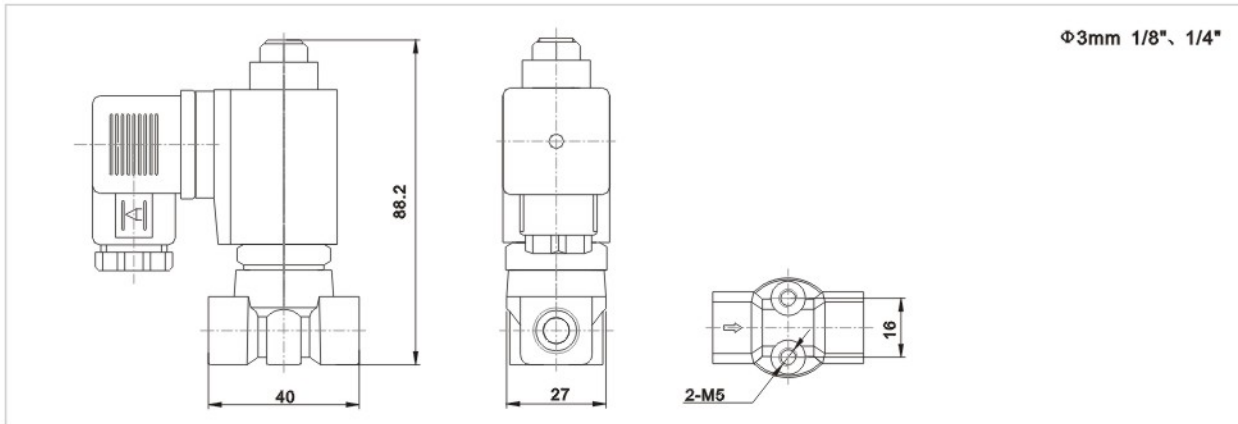


Body:1 & 3

Body:9 & 5



### Construction, External Dimensions Chart



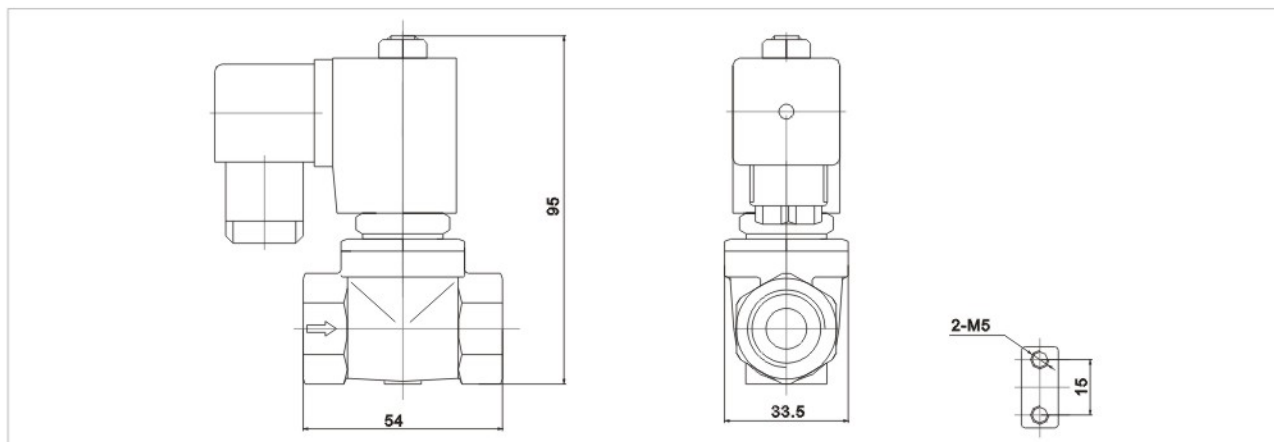
# SLP Small Series 2/2-way Direct Acting Solenoid Valve · Normally Closed

● The Professional Solenoid Valves Manufactory

1. 2-Way Normally closed solenoid valve, closed when de-energized, open when energized.
2. Serialized products, small in size, large flow rate, widely use
3. Body material: SS316 Orifice:  $\Phi 8\text{mm}$
4. Ambient Temp  $0^{\circ}\text{C}\sim 65^{\circ}\text{C}$  Fluids Temp.:  $0^{\circ}\text{C}\sim 130^{\circ}\text{C}$
5. Flows as the arrow, mounts in any position; best position is solenoid valve vertical and upright direction.
6. Voltage: AC24V/110V/220V/230V/240V 50/60HZ  
DC24V/12V Voltage Tolerance: +10%~-10% applicable voltage
7. This series valves are offered NBR, VITON, EPDM Etc, For seals and diaphragm to provide on/off control of various fluids.



## Construction & External Dimensions Chart



## Valve Selection List

Pipe Conn- ection	Orifice mm	CV Factor	Operating pressure differential ( kgf/cm <sup>2</sup> )						Max. Temp. °C	Coil Type	consumption		Coil Class	Model Code Follows Voltage 220VAC	Weight KG	
			Min.	Max.							VA	W				
				Air Gas		Water Hot water		Light oil								
				AC	DC	AC	DC	AC								DC
1/4"	8	1.2	0	16	10	16	10	13	10	80	D	22	13	F	SLP1DF02N3B10	0.51
	8	1.2	0	16	10	16	10			130	D	22	13	F	SLP1DF02E3B10	0.51
	8	1.2	0	16	10	16	10	13	10	120	D	22	13	F	SLP1DF02V3B10	0.51
3/8"	8	1.2	0	16	10	16	10	13	10	80	D	22	13	F	SLP1DF02N3C10	0.49
	8	1.2	0	16	10	16	10			130	D	22	13	F	SLP1DF02E3C10	0.49
	8	1.2	0	16	10	16	10	13	10	120	D	22	13	F	SLP1DF02V3C10	0.49
1/2"	8	1.2	0	16	10	16	10	13	10	80	D	22	13	F	SLP1DF02N3D10	0.46
	8	1.2	0	16	10	16	10			130	D	22	13	F	SLP1DF02E3D10	0.46
	8	1.2	0	16	10	16	10	13	10	120	D	22	13	F	SLP1DF02V3D10	0.46