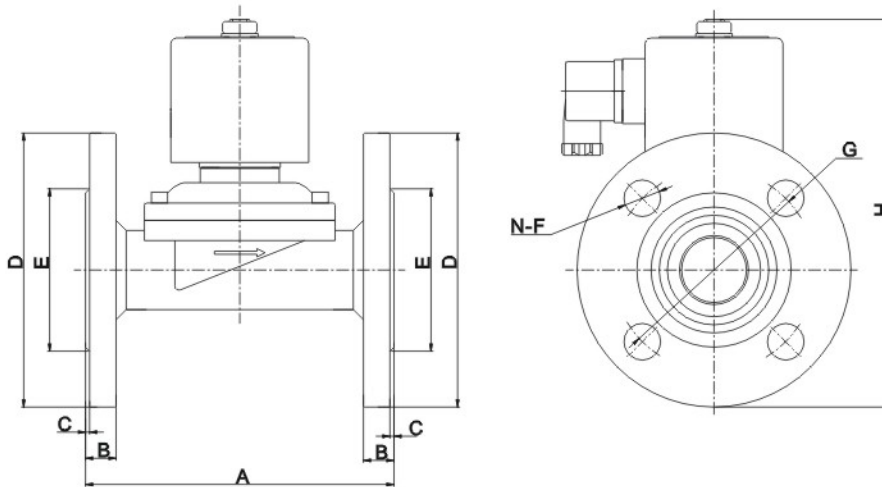


## ZS 2/2-Way Large diameter Direct Acting Solenoid Valve · Normally Closed

●The Professional Solenoid Valves Manufactory

### External Dimensions (Flange Type)

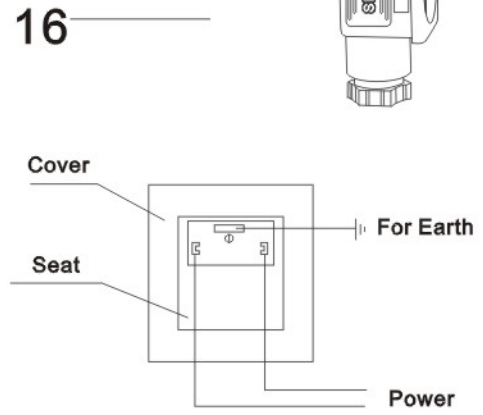
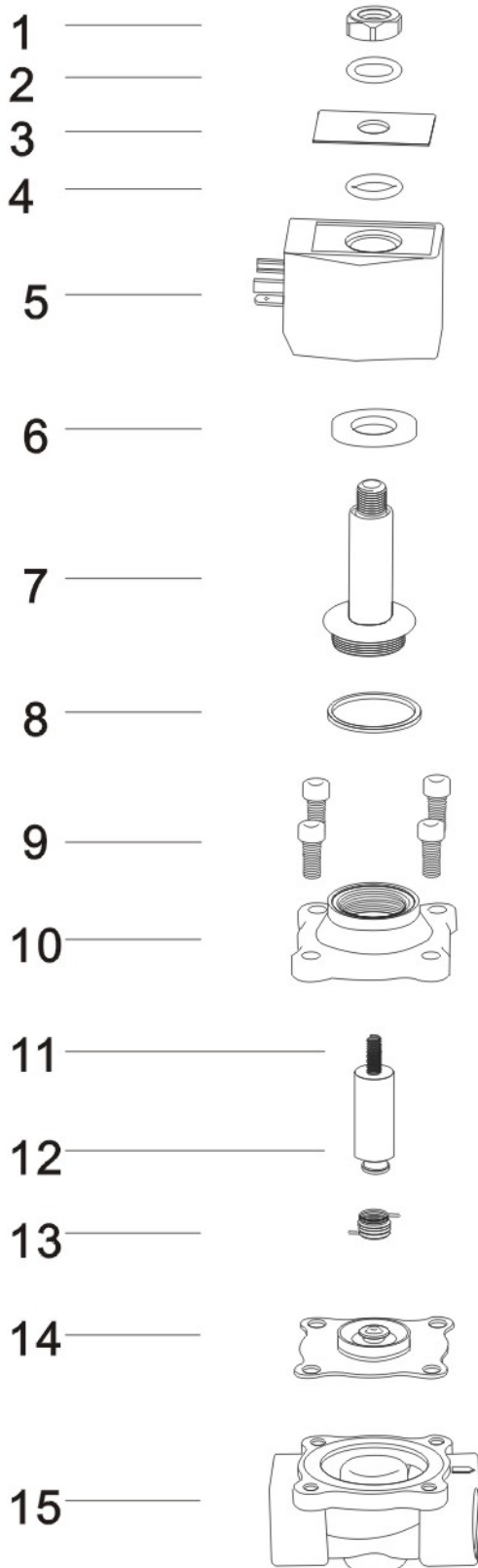


	A	B	C	ΦD	ΦE	N-ΦF	ΦG	H
ZS-25BF	140	14	2	115	62	4-14	85	160
ZS-32BF	152	15	2	135	76	4-18	100	215
ZS-40BF	152	15	2	145	84	4-18	110	215
ZS-50BF	195	16	2	160	98	4-18	125	220
ZS-65BF	250	19	3	185	118	4-18	145	308
ZS-80BF	270	19	3	202	134	4-18	160	320
ZS-100BF	342	21	3	222	162	8-18	180	345

# ZS 2/2-Way Large diameter Direct Acting Solenoid Valve · Normally Closed

● The Professional Solenoid Valves Manufactory

## Components Chart

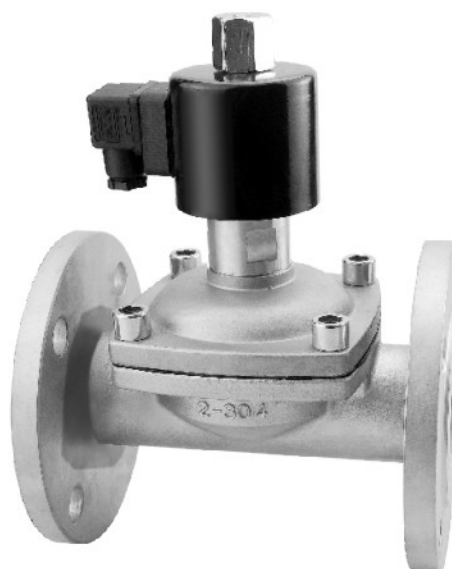


## Electric Wirig Chart

Code	Components
01	Locknut
02	Gasket
03	Label
04	O Ring
05	Coil
06	Plate
07	Plunger Tube Assembly
08	Plunger Tube Seal Ring
09	Bolts
10	Valve Cover
11	Plunger Spring
12	Plunger Assembly
13	Diaphragm Spring
14	Diaphragm Assembly
15	Valve Body
16	Plug

# ZS 2/2-Way Direct Acting Solenoid Valve · Normally Open

● The Professional Solenoid Valves Manufacturer



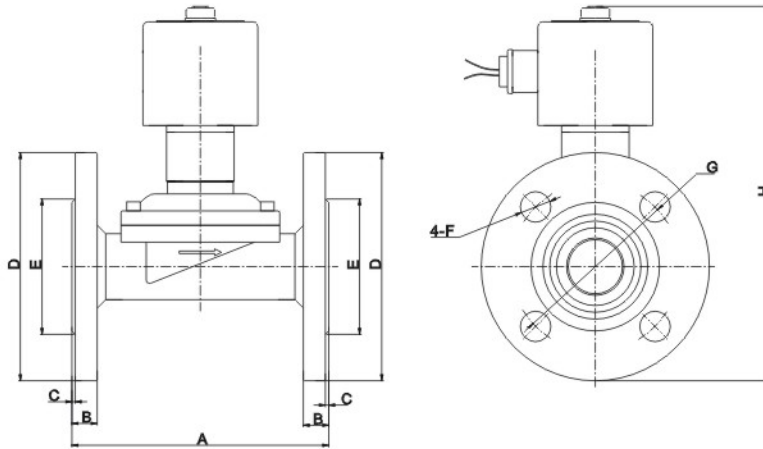
## Valve Selection List (Flange)

Orifice mm	CV Factor	Operating pressure differential ( kgf/cm <sup>2</sup> )							Max. Fluids Temp.	Coil F Class Type	Power consumption		Weight KG	Model Code  220VAC 50/60HZ		
		Min.	Max.								VA	W				
			Air Gas		Water Hot water Liquids		Light oil								AC 220 V	DC 24 V
			AC	DC	AC	DC	AC	DC								
25	12	0	5	5	5	5	3	3	80	D	57	32	3.05	ZS2DF02N4F25		
25	12	0	5	5	5	5			120	D	57	32	3.05	ZS2DF02E4F25		
25	12	0	5	5	5	5	3	3	120	D	57	32	3.05	ZS2DF02V4F25		
32	24	0	5	5	5	5	3	3	80	D	70	40	5.4	ZS2DF02N4F32		
32	24	0	5	5	5	5			120	D	70	40	5.4	ZS2DF02E4F32		
32	24	0	5	5	5	5	3	3	120	D	70	40	5.4	ZS2DF02V4F32		
40	29	0	5	5	5	5	3	3	80	D	70	40	6.4	ZS2DF02N4F40		
40	29	0	5	5	5	5			120	D	70	40	6.4	ZS2DF02E4F40		
40	29	0	5	5	5	5	3	3	120	D	70	40	6.4	ZS2DF02V4F40		
50	48	0	5	5	5	5	3	3	80	D	70	40	8.6	ZS2DF02N4F50		
50	48	0	5	5	5	5			120	D	70	40	8.6	ZS2DF02E4F50		
50	48	0	5	5	5	5	3	3	120	D	70	40	8.6	ZS2DF02V4F50		

## ZS 2/2-Way Direct Acting Solenoid Valve · Normally Open

●The Professional Solenoid Valves Manufactory

### External Dimensions (Flange Series)



Model	A	B	C	φD	φE	φF	φG	H
ZS-25BH	140	14	2	115	62	4-14	85	180
ZS-32BH	152	15	2	135	76	4-18	100	235
ZS-40BH	152	15	2	145	84	4-18	110	240
ZS-50BH	195	16	2	160	98	4-18	125	255